



**BULLARD
BOLLARDS**
Think Bollard Think Bullard

JUMBO BAR (ILLUMINATED FURNITURE)





FIXTURE TYPE: _____

PROJECT NAME: _____

NOTES:



GENERAL INFORMATION:

The Jumbo Bar by Bullard Bollards is a modular, illuminated bar counter designed by Jorge Najera, ideal for any outdoor events. Crafted from durable polyethylene, it features a sleek, minimalist design that seamlessly integrates into various event settings. The bar can be equipped with an internal lighting system using a 15W E26 bulb, transforming it into a glowing centerpiece that enhances any environment. Its modular design allows for versatile configurations, making it an ideal choice for elegant and minimalist events, both large and small.

FIXTURE TYPE:

Illuminated Furniture

VOLTAGE:

110-277V

MATERIAL:

Polyethylene

IP RATING:

IP 55

IP 55

FINISH OPTION:

Light white

WARRANTY:

Lighting products are warranted for 5 years.

APPLIANCE CLASS:

II



THINK BOLLARD - THINK BULLARD

sales@gordonbullard.com
www.bullardbollards.com
1-877-964-4646



991 South Gull Lake Dr
Richland, MI 49083
USA



FIXTURE TYPE: _____

PROJECT NAME: _____

NOTES:

HOW TO ORDER:

CODE:

Example:
CODE: BB-BAR11-SD-114-115

BB-BAR11-
SD-114-115

1 DIMENSIONS:

- A) Length - L: 35,43" (90 cm)
- B) Height - H: 43,31" (110 cm)
- C) Width - W: 31,50" (80 cm)

2 LIGHT SOURCE:

E26 / 2 x max. 15W / 110-277V

3 FINISH OPTION:

Light white

4 WIRING:

Black cable (Length: 10 ft)

5 WEIGHT:

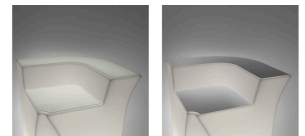
59,52 lb

6.1 ACCESSORIES: (not-included)

DESK:

- 114 glass desk tempered glass
- 120 steel desk stainless steel

Tempered glass Stainless steel

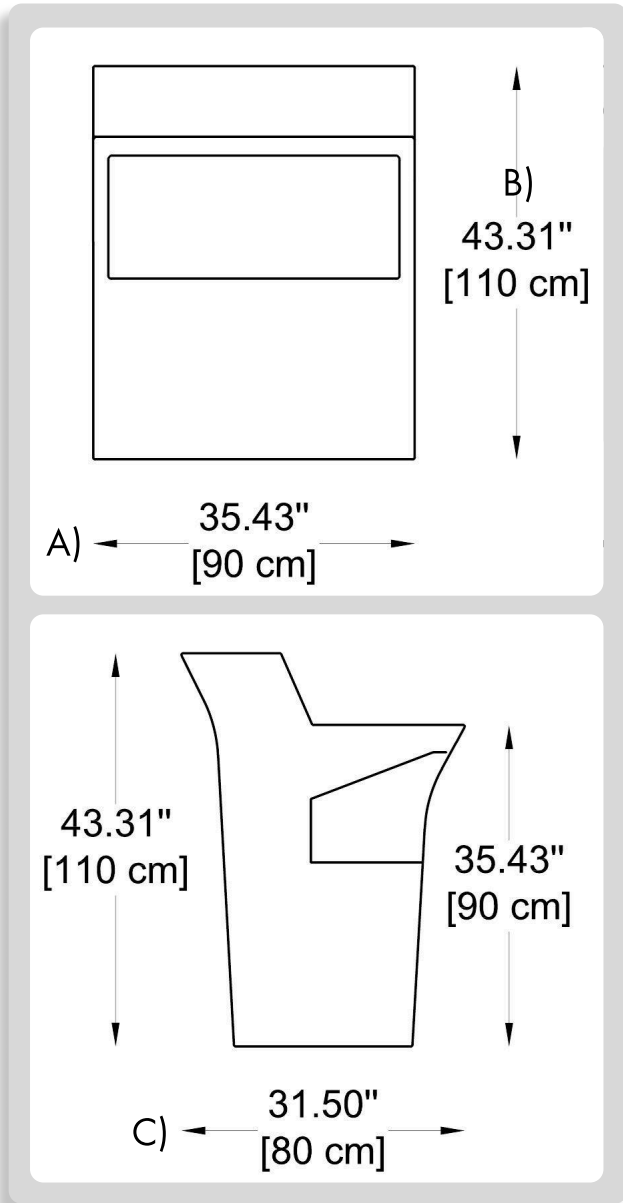
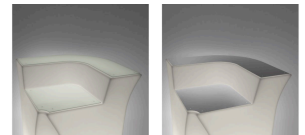


6.2 ACCESSORIES: (not-included)

TOP:

- 115 glass top tempered glass
- 119 steel top stainless steel

Tempered glass Stainless steel



THINK BOLLARD - THINK BULLARD

sales@gordonbullard.com
www.bullardbollards.com
1-877-964-4646



991 South Gull Lake Dr
Richland, MI 49083
USA