



**BULLARD  
BOLLARDS**  
Think Bullard Think Bullard

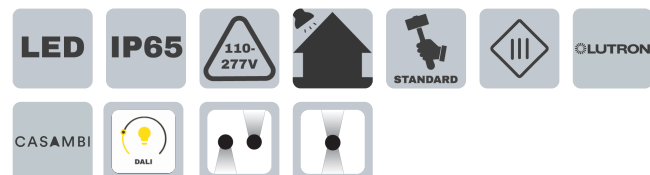
**OCIO**

**SURFACE MOUNTED WALL LUMINAIRES**



FIXTURE TYPE: \_\_\_\_\_

PROJECT NAME: \_\_\_\_\_



**GENERAL INFORMATION:**

The BB-1207-9010 is a surface-mounted circular LED wall luminaire designed to deliver clean architectural aesthetics and durable outdoor performance. Crafted from high-quality metal and rated IP65, it is ideal for façades, pathways, and landscape walls, offering single or double light emission to create subtle or dramatic lighting effects. Available in multiple sizes, color temperatures (2200K, 2700K, 3000K), and finishes including Sand, Corten, Grey, Black, White, and Green, it integrates seamlessly into a variety of architectural styles. With 110–277V input, remote driver configuration, CRI 80, and multiple dimming options such as 0–10V, DALI, Lutron, and Casambi, the BB-1207-9010 combines versatility, performance, and refined design in one compact fixture.

**FIXTURE TYPE:**

Surface Mounted Wall Luminaires

**LIGHTING:**

LED

**INPUT VOLTAGE:**

110-277V

**MATERIAL:**

BETALY®

**IP RATING:**

IP 65

**DRIVER POSITION:**

Remote

**INSULATION CLASS:**

III

**CRI:**

80

**WARRANTY:**

LED lighting products are warranted for 5 years.

**THINK BOLLARD - THINK BULLARD**

sales@gordonbullard.com

www.bullardbollards.com

1-877-964-4646



991 South Gull Lake Dr

Richland, MI 49083

USA



FIXTURE TYPE: \_\_\_\_\_

PROJECT NAME: \_\_\_\_\_

**HOW TO ORDER:**

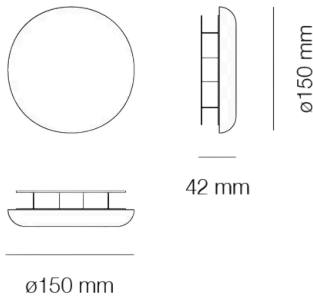
**CODE:**

**Example:**  
CODE: BB-1207-9010-S-K30-DIM-394

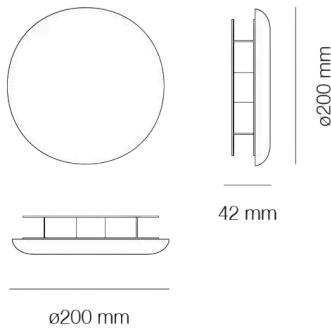
BB-1207-9010-S  
-K30-DIM-394

**1 MODEL:**

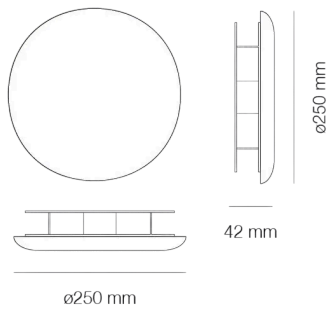
**CODE: -S**



**CODE: -M**



**CODE: -L**



**-S**

**DIMENSIONS:**

Diameter - H: 5.91" (15 cm)  
Depth - P: 16.54" (4.2 cm)

**LIGHT SOURCE:**

**-L1** LED / 4W / 24Vdc / CRI80 (Single emission)  
**-L2** LED / 8W / 24Vdc / CRI80 (Double emission)

**-M**

**DIMENSIONS:**

Diameter - H: 7.87" (20 cm)  
Depth - P: 16.54" (4.2 cm)

**LIGHT SOURCE:**

**-L1** LED / 4W / 24Vdc / CRI80 (Single emission)  
**-L2** LED / 8W / 24Vdc / CRI80 (Double emission)

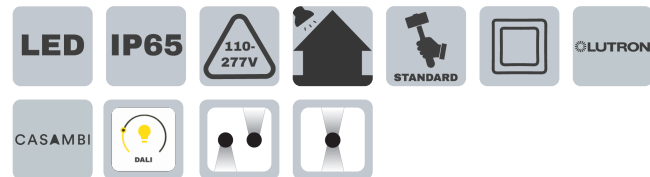
**-L**

**DIMENSIONS:**

Diameter - H: 9.84" (25 cm)  
Depth - P: 16.54" (4.2 cm)

**LIGHT SOURCE:**

**-L1** LED / 4W / 24Vdc / CRI80 (Single emission)  
**-L2** LED / 8W / 24Vdc / CRI80 (Double emission)



**THINK BOLLARD - THINK BULLARD**

sales@gordonbullard.com  
www.bullardbollards.com  
1-877-964-4646



991 South Gull Lake Dr  
Richland, MI 49083  
USA



FIXTURE TYPE: \_\_\_\_\_

PROJECT NAME: \_\_\_\_\_

**HOW TO ORDER:**

**CODE:**

**Example:**  
CODE: BB-1207-9010-S-K30-DIM-394

BB-1207-9010-S  
-K30-DIM-394

**2 CCT & LUMENS:**

- |       |                |                |
|-------|----------------|----------------|
| -K20  | 2200K = 540lm  | } FOR L1 MODEL |
| -K27  | 2700K = 570lm  |                |
| -K30  | 3000K = 600lm  |                |
| -KK20 | 2200K = 1080lm | } FOR L2 MODEL |
| -KK27 | 2700K = 1140lm |                |
| -KK30 | 3000K = 1200lm |                |

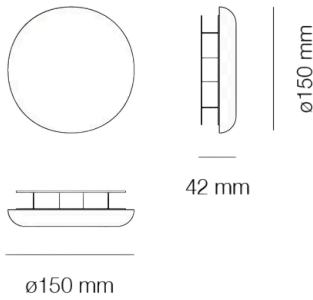
**3 DIMMING OPTIONS:**

- NON Non-Dimmable
- DIM 0-10V
- CAS Casambi
- LUT Lutron
- DAL DALI

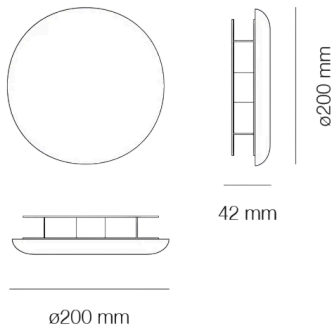
**4 FINISH OPTIONS:**

- 397 Sand
- 394 Corten
- 395 Grey
- 396 Black
- 392 White
- 393 Green

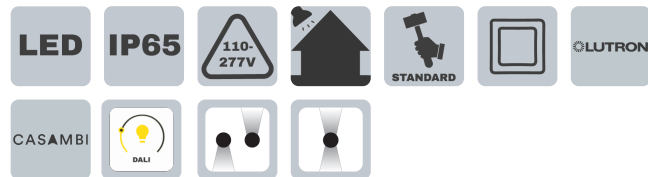
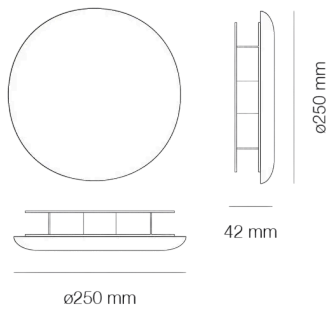
**CODE: -S**



**CODE: -M**



**CODE: -L**



**THINK BOLLARD - THINK BULLARD**

sales@gordonbullard.com  
www.bullardbollards.com  
1-877-964-4646



991 South Gull Lake Dr  
Richland, MI 49083  
USA