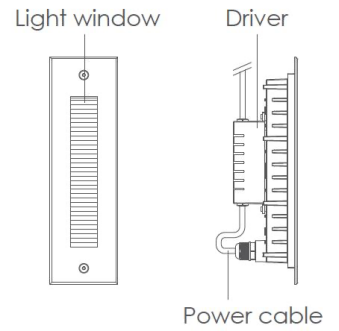


# SLIM

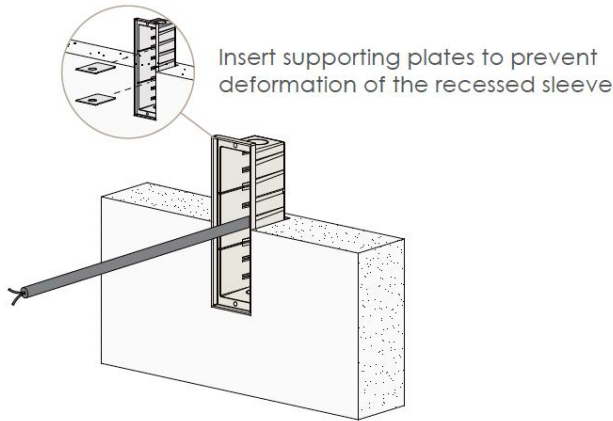


Data Sheet:  
Input Voltage (V): 110-277  
IK 10

**Installation steps**

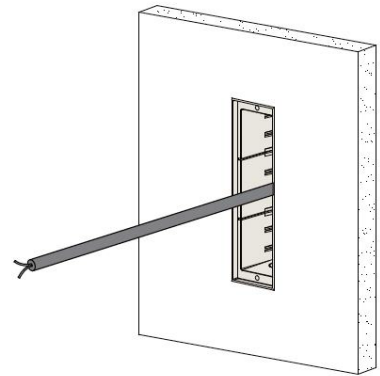


**Step 1**



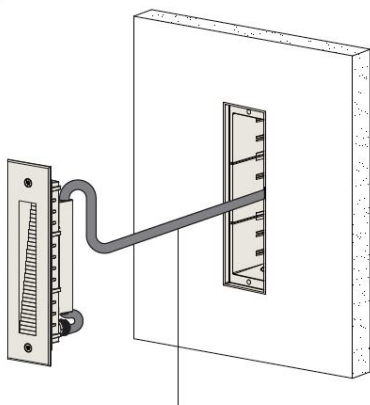
Secure the recessed sleeve

**Step 2**



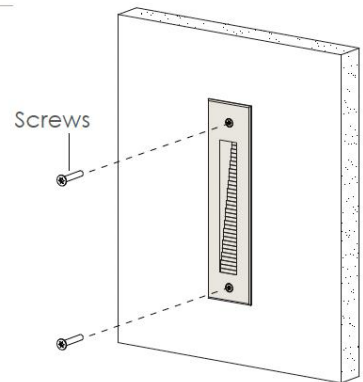
Finish the installation of concrete surface materials

**Step 3**



Connect the power cable

**Step 4**



Install the light fixture on the wall