



**BULLARD
BOLLARDS**
Think Bollard Think Bullard

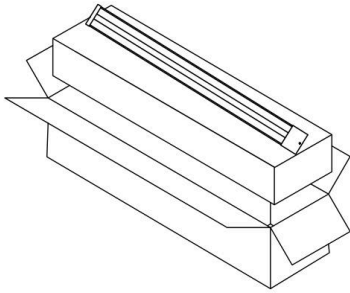
INSTALLATION INSTRUCTION

TANGO ROUND COLUMN

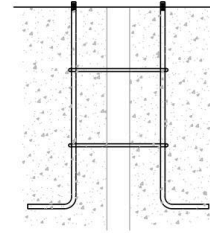
INSTALLATION TYPE:
ANCHOR MOUNT



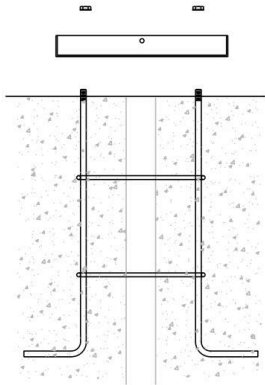
04/23/2025



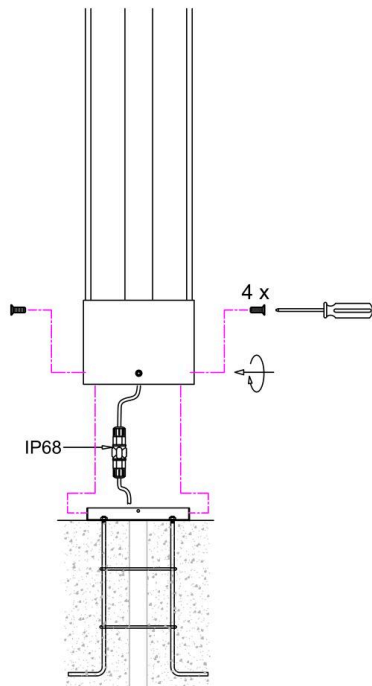
1. Take out the lamps and find the corresponding accessories.



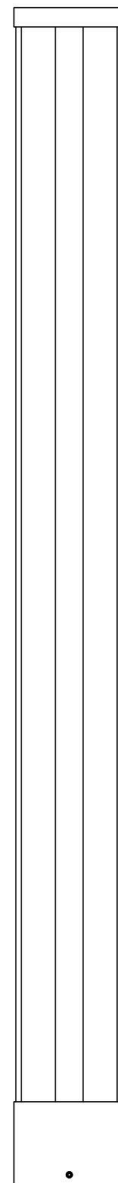
2. Fix the embedded parts to the installation position.



3. Schematic diagram of safety column dimensions.



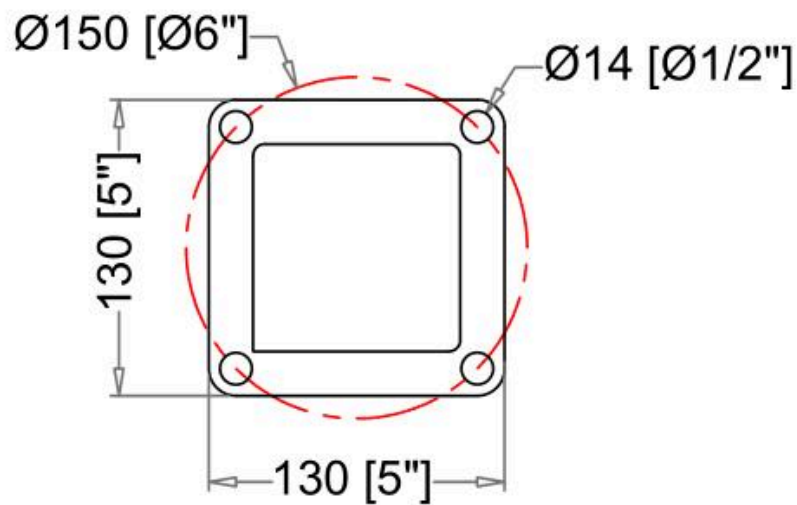
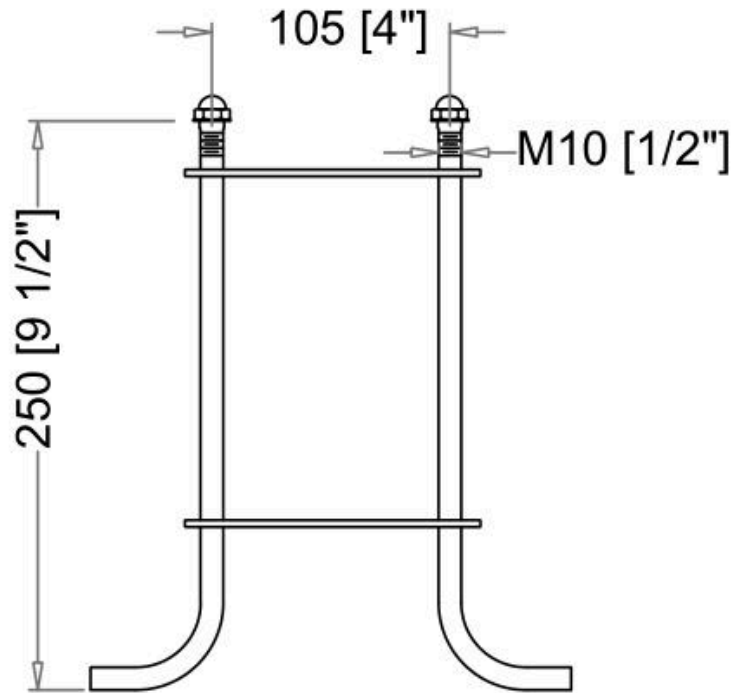
3. Connect the wires as shown in the diagram and install the light body onto the security base.



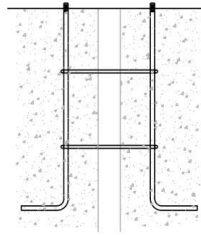
sales@gordonbullard.com
www.bullardbollards.com
 1 877-964-4646



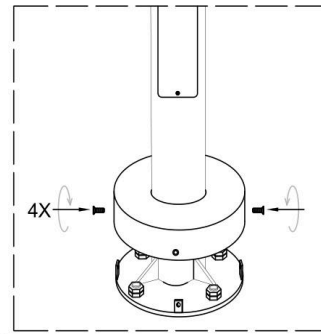
991 South Gull Lake Dr.
 Richland, MI 49083
 USA



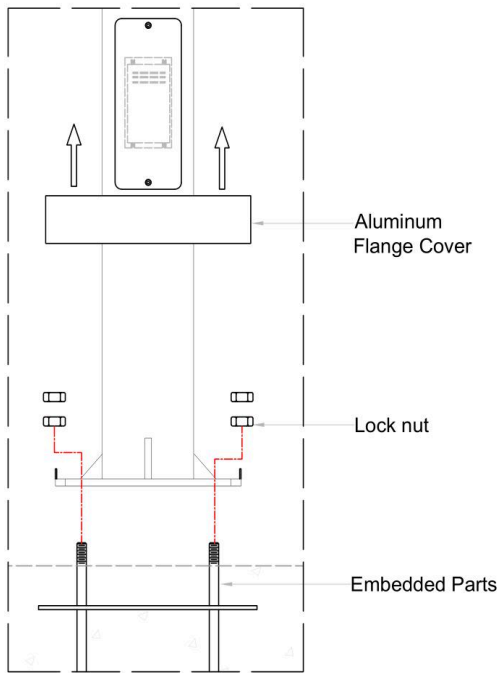
**STAINLESS STEEL
EMBEDDED PARTS
SCALE: 1:2**



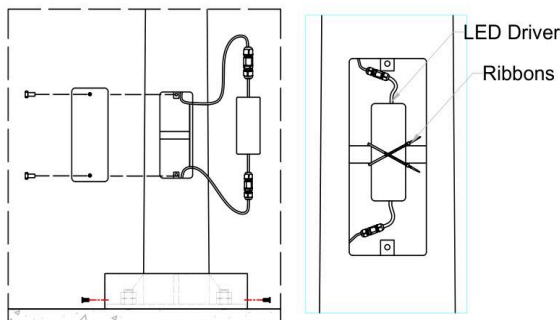
1. Fix the embedded parts to the installation position.



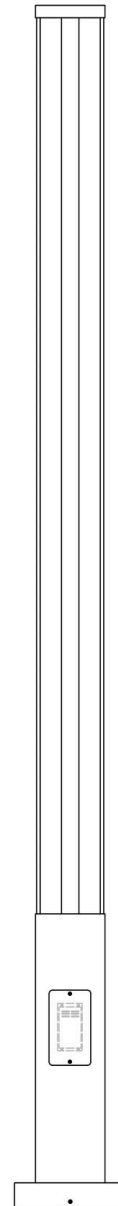
4. Fixed flange cover.

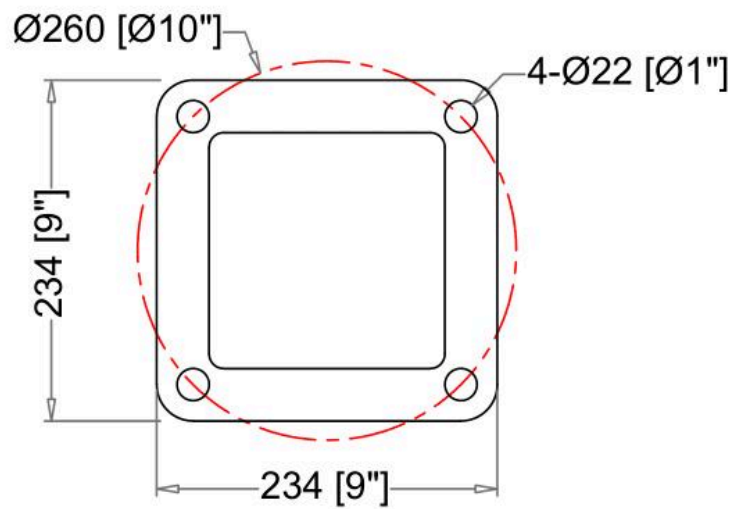
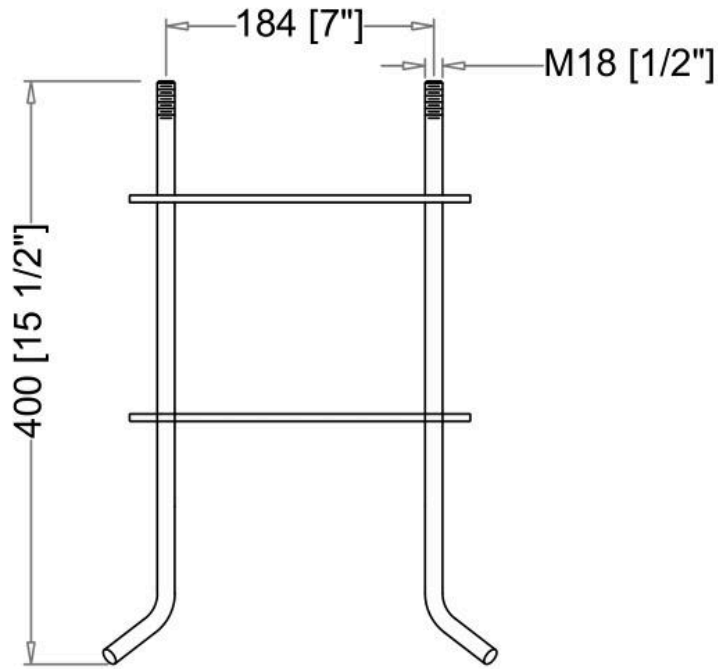


2. Install the lamp body onto the embedded parts as shown in the picture.



3. Connect the driver and secure it in the access port with ribbons.





**STAINLESS STEEL
 EMBEDDED PARTS**

SCALE: 1:2