



BULLARD
BOLLARDS

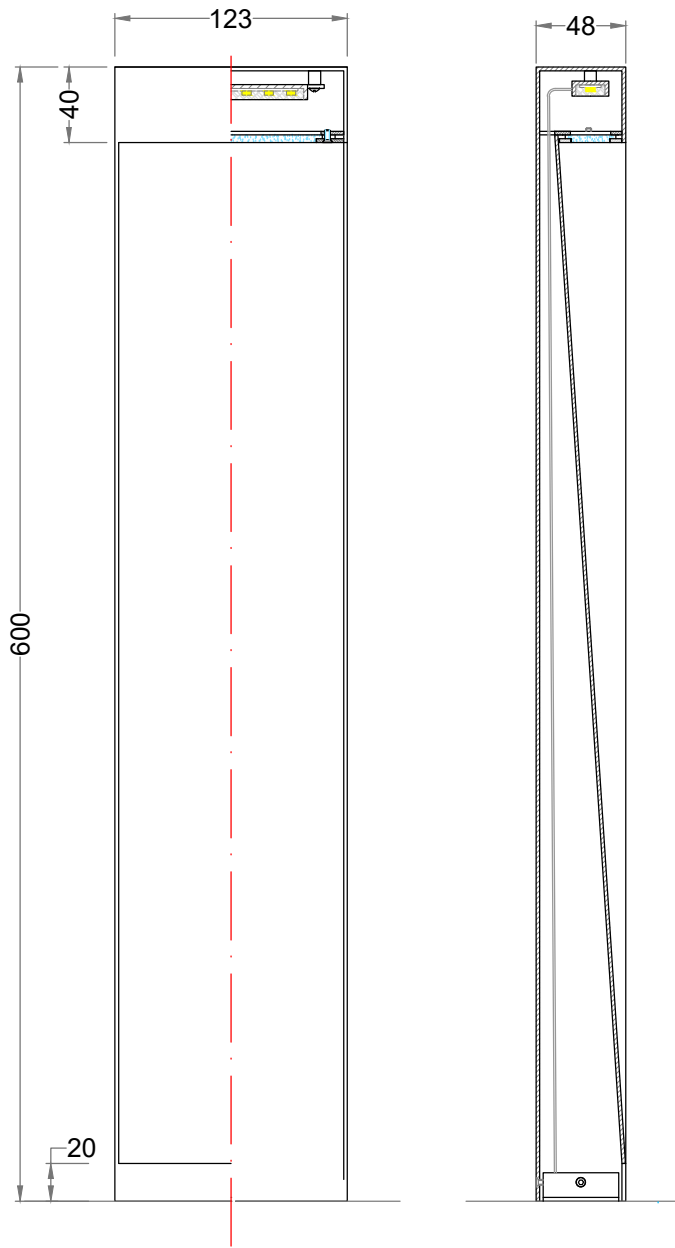
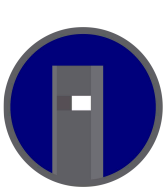


OMO Bollard

sales@gordonbullard.com
www.bullardbollards.com
1-877-964-4646

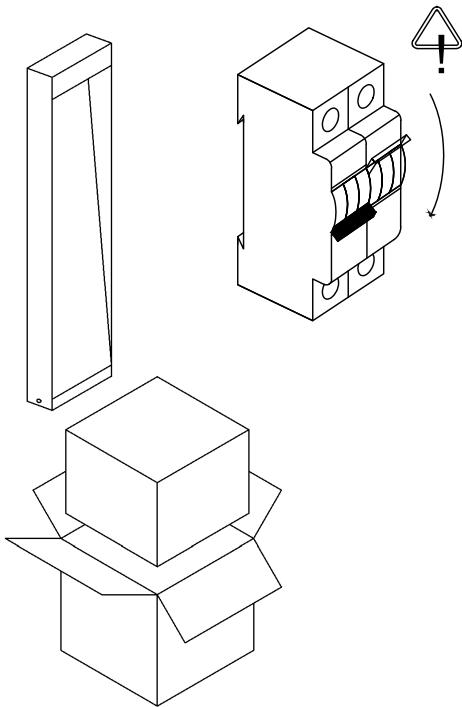
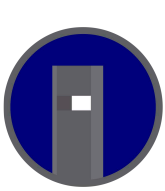


991 South Gull Lake Dr
Richland, MI 49083
USA

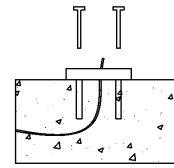


front view

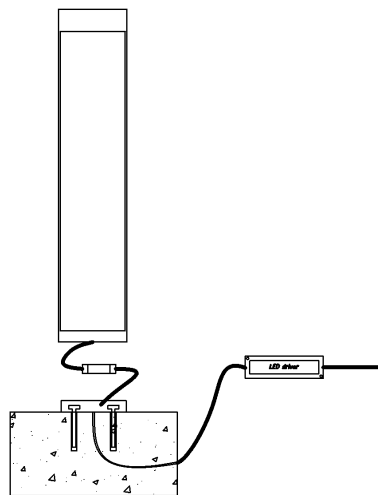
side view



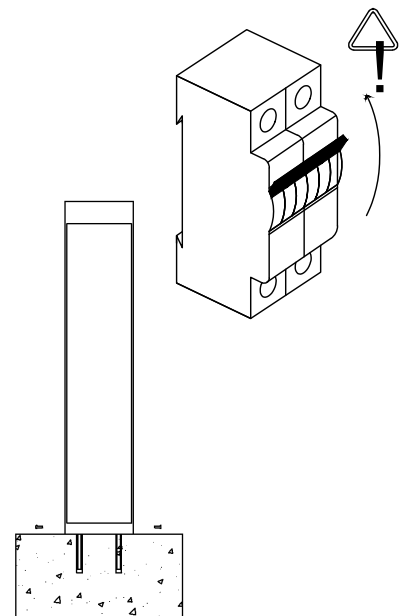
1. Take out the lamps and find out the corresponding accessories.
2. Turn off the electrical power at the main fuse box or circuit panel before the installation.



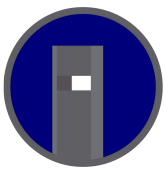
3. Take out the embedded parts and fix them according to the embedded holes.
4. Fix the expansion screw and embedded parts as shown in the figure.



5. Link power main line using IP68 waterproof connector.



6. Put the lamp body into the embedded parts
7. Fix the lamp body to the embedded parts with screws.
8. Turn the power back on at the main fuse box or circuit panel that you disabled before installation.
9. Turn on the light.



WARNING:

- The safety of this fixture is guaranteed only if you comply with these instructions.
- The appliance must not be tampered with or transformed and it must be installed and used as supplied and in compliance with the national rules on installations.
- Switch-off the power supply before carrying out any maintenance operations. hot plug-in is not allow and may cause damage to the luminaire.
- Installation and service must be performed by qualified service personnel.
- Any non-compliant installations will invalidate all forms of guarantee.