



**BULLARD  
BOLLARDS**  
Think Bollard Think Bullard

# BLOSSY (NON-ILLUMINATED FURNITURE)

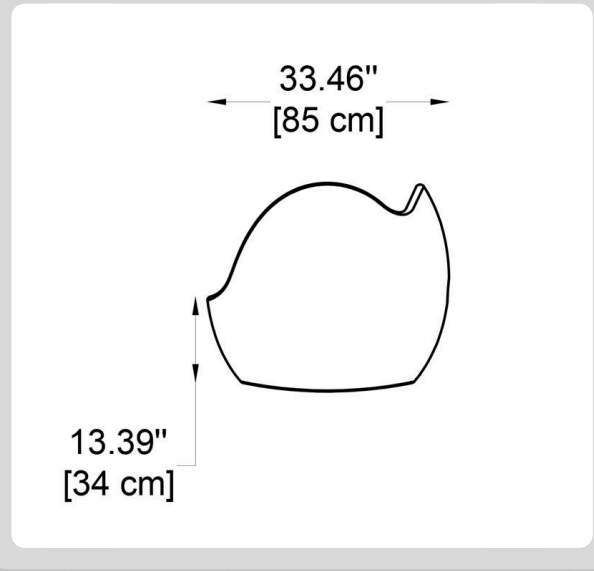
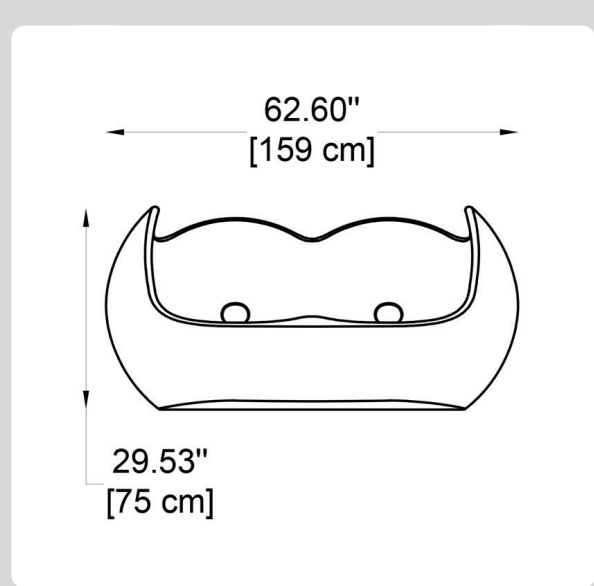




FIXTURE TYPE: \_\_\_\_\_

PROJECT NAME: \_\_\_\_\_

NOTES:



**HOW TO ORDER:**

**CODE:**

**Example:**  
**CODE: BB-BLO086-SD-MW**

BB-BLO086-SD-MW

**GENERAL INFORMATION:**

The "Blossy" collection by Bullard Bollards is a striking fusion of tradition and contemporary design, created by renowned designer Karim Rashid. This sculptural loveseat, crafted from durable polyethylene, features a fluid and sensual silhouette that reinterprets classic seating with a bold, avant-garde flair. Ideal for both residential and commercial spaces, "Blossy" offers a youthful and artistic presence, perfect for enhancing outdoor environments. Available in a wide range of standard colors, this non-illuminated furniture piece embodies elegance, innovation, and versatility.

**FIXTURE TYPE:**

Non-Illuminated Furniture /Sofa

**MATERIAL:**

Polyethylene

**DIMENSIONS:**

L: 62.60" (159 cm) x H: 29.53" (75 cm) x W: 33.46" (85 cm)

**FINISH OPTIONS:**

**STANDARD COLOURS:**

- MW Milky White
- JB Jet Black
- EG Elephant Grey
- CB Chocolate Brown
- AG Argil Grey
- DG Dove Grey
- PB Powder Blue
- MG Malva Green
- LG Lime Green
- SY Saffron Yellow
- PO Pumpkin Orange
- FR Flame Red
- SF Sweet Fuchia

**WEIGHT:**

83.77 lb



**THINK BOLLARD - THINK BULLARD**

sales@gordonbullard.com  
www.bullardbollards.com  
1-877-964-4646



991 South Gull Lake Dr  
Richland, MI 49083  
USA