

FIXTURE TYPE: _____

PROJECT NAME: _____

NOTES:



GENERAL INFORMATION:

The Luxetto by Bullard Bollards is a surface-mounted LED wall luminaire designed with a compact geometric form for architectural accent and façade lighting. Constructed from extruded aluminum EN AW-6060 T5 with a durable polyester powder-coated finish, it offers high resistance to weather and UV exposure and is sealed with silicone gaskets and stainless-steel screws. The fixture operates on 110–277V, delivers CRI >90, and features an IP65 rating for reliable outdoor performance. Luxetto provides multiple beam angles (18° – 114°) for different lighting effects and supports non-dimmable, 0–10V, Casambi, and DALI dimming options, making it suitable for flexible architectural and landscape lighting applications.

FIXTURE TYPE:

Surface Mounted Wall Luminaires

LIGHTING:

LED



INPUT VOLTAGE:

110-277V



MATERIAL:

Extruded aluminum EN AW-6060 T5 high resistance to oxidation

GASKETS:

Silicone gaskets

EXTERNAL SCREWS:

Stainless steel A4-70 treated with highly antioxidant water-repellent lubricating solution

FINISH AND PROTECTION:

Primary treatment with nanoceramic conversion. Protection with textured polyester powder coating resistant to weathering and UV rays

DRIVER POSITION:

Integral

APPLINCE CLASS:

III



THINK BOLLARD - THINK BULLARD

sales@gordonbullard.com
www.bullardbollards.com
1-877-964-4646



991 South Gull Lake Dr
Richland, MI 49083
USA

FIXTURE TYPE: _____

PROJECT NAME: _____

NOTES:



CRI:

>90

IP RATING:

IP65

IP65

BEAM ANGLE / LIGHT DISTRIBUTION:

18°	Symmetrical medium flood (15° - 45°)	Fixed optics
41°	Symmetrical medium flood (15° - 45°)	Fixed optics
16°	Symmetrical medium flood (15° - 45°)	Fixed optics
36°	Symmetrical medium flood (15° - 45°)	Fixed optics
53°	Symmetrical wide beam (45° - 125°)	Fixed optics
44° x 64°	2 Axis symmetrical	Fixed optics
114°	Symmetrical wide beam (45° - 125°)	Fixed optics

CABLE ENTRY / CABLE TYPE:

Brass cable gland M12 Ø 3.5/7 mm / H05RN-F 3x1mm²

CORD LENGTH:

20 cm

BEAM DIRECTIONABILITY:

Fixed optics

DIFFUSER MATERIAL/FINISH:

UV resistant polycarbonate / Opal

WARRANTY:

LED lighting products are warranted for 5 years.

MAIN FEATURES:

- High visual comfort / Wide range of finishes
- Functional design / Minimal design
- Reduced overhang
- Operating Temperature: 253.15 K ÷ 308.15 K (-20 °C ÷ +35 °C)
- Increased temperature to 323.15 K (50°C)
- *upon request previous specific components and test

THINK BOLLARD - THINK BULLARD

sales@gordonbullard.com
www.bullardbollards.com
1-877-964-4646

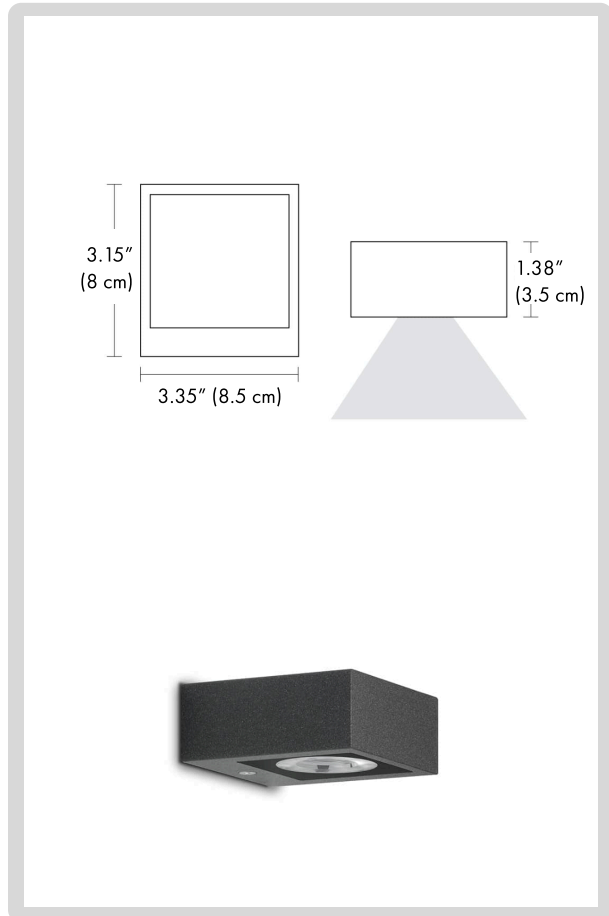


991 South Gull Lake Dr
Richland, MI 49083
USA



FIXTURE TYPE: _____

PROJECT NAME: _____



HOW TO ORDER:

CODE:

Example:
CODE: BB-1143.00AHST-GH-80-35-L2-B2
-277-DIM-01

BB-1143.00AHST
-GH-80-35-L2-B2
-277-DIM-01

1 MODELS:

-80-35 1L / 80x35

DIMENSIONS:

Length - L: 3.35" (8.5 cm)
Width - W: 3.15" (8 cm)
Height - H: 1.38" (3.5 cm)

2 LIGHT SOURCE:

- L1** LED / 1 x 6W / 3000K / 1 x 540 lm
- L2** LED / 1 x 9W / 3000K / 1 x 1173 lm
- L3** LED / 1 x 6W / 4000K / 1 x 580 lm
- L4** LED / 1 x 9W / 4000K / 1 x 1218 lm

3 BEAM ANGLE:

- B1** 18°
- B2** 41°

4 CONTROL GEAR/OPERATION RANGE:

- 277** 110-277V / 50-60 Hz
- 500** 500 mA

5 DIMMING OPTIONS:

- NON** NON-Dimmable
- DIM** 0-10V
- CAS** Casambi
- DAL** Dali

6 FINISH OPTIONS:

- | | | | |
|---------------------------------|--|------------------------------|--|
| -01 White matt | | -45 Corten matt | |
| -02 Black matt | | -62 Antique grey matt | |
| -05 Anthracite grey matt | | -65 Blue matt | |
| -19 Light grey matt | | -80 Sand matt | |
| -26 Bronze | | -83 Green matt | |

THINK BOLLARD - THINK BULLARD

sales@gordonbullard.com
www.bullardbollards.com
1-877-964-4646

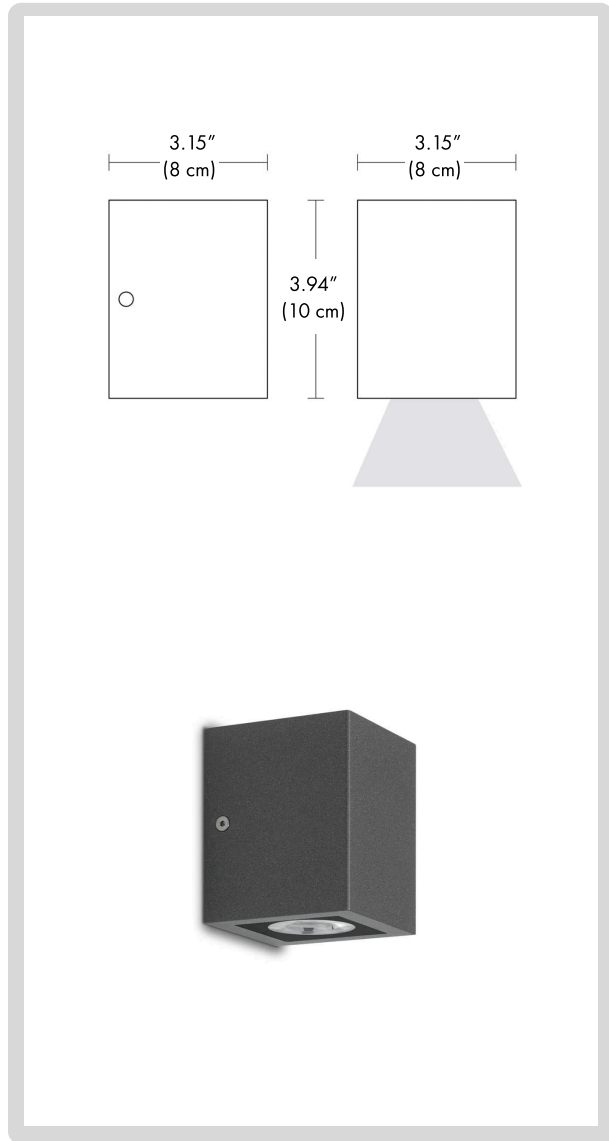


991 South Gull Lake Dr
Richland, MI 49083
USA



FIXTURE TYPE: _____

PROJECT NAME: _____



HOW TO ORDER:

CODE:

Example:
CODE: BB-1143.00AHST-GH-80-35-L2-B2
-277-DIM-01

BB-1143.00AHST
-GH-80-35-L2-B2
-277-DIM-01

1 MODELS:

-80-100 1L / 80x100

DIMENSIONS:

Length - L: 3.15" (8 cm)
Width - W: 3.15" (8 cm)
Height - H: 3.94" (10 cm)

2 LIGHT SOURCE:

- L1** LED / 1 x 6W / 3000K / 1 x 540 lm
- L2** LED / 1 x 9W / 3000K / 1 x 1173 lm
- L3** LED / 1 x 6W / 4000K / 1 x 580 lm
- L4** LED / 1 x 9W / 4000K / 1 x 1218 lm

3 BEAM ANGLE:

- B1** 18°
- B2** 41°

4 CONTROL GEAR/OPERATION RANGE:

- 277** 110-277V / 50-60 Hz
- 500** 500 mA

5 DIMMING OPTIONS:

- NON** NON-Dimmable
- DIM** 0-10V
- CAS** Casambi
- DAL** Dali

6 FINISH OPTIONS:

- | | | | |
|---------------------------------|--|------------------------------|--|
| -01 White matt | | -45 Corten matt | |
| -02 Black matt | | -62 Antique grey matt | |
| -05 Anthracite grey matt | | -65 Blue matt | |
| -19 Light grey matt | | -80 Sand matt | |
| -26 Bronze | | -83 Green matt | |

THINK BOLLARD - THINK BULLARD

sales@gordonbullard.com
www.bullardbollards.com
1-877-964-4646

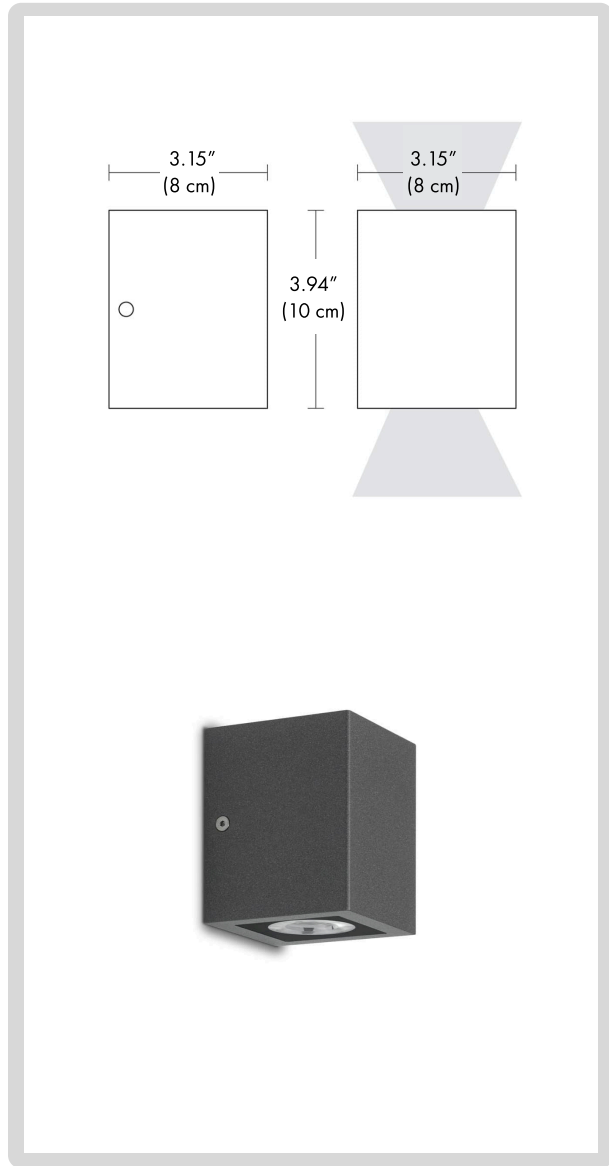


991 South Gull Lake Dr
Richland, MI 49083
USA



FIXTURE TYPE: _____

PROJECT NAME: _____



HOW TO ORDER:

CODE:

Example:
CODE: BB-1143.00AHST-GH-80-35-L2-B2
-277-DIM-01

BB-1143.00AHST
-GH-80-35-L2-B2
-277-DIM-01

1 MODELS:

-80-100 2L / 80x100

DIMENSIONS:

Length - L: 3.15" (8 cm)
Width - W: 3.15" (8 cm)
Height - H: 3.94" (10 cm)

2 LIGHT SOURCE:

- L1** LED / 2 x 6W / 3000K / 1 x 540 lm
- L2** LED / 2 x 9W / 3000K / 1 x 1173 lm
- L3** LED / 2 x 6W / 4000K / 1 x 580 lm
- L4** LED / 2 x 9W / 4000K / 1 x 1218 lm

3 BEAM ANGLE:

- B1** 18°
- B2** 41°

4 CONTROL GEAR/OPERATION RANGE:

- 277** 110-277V / 50-60 Hz
- 500** 500 mA

5 DIMMING OPTIONS:

- NON** NON-Dimmable
- DIM** 0-10V
- CAS** Casambi
- DAL** Dali

6 FINISH OPTIONS:

- | | | | |
|---------------------------------|--|------------------------------|--|
| -01 White matt | | -45 Corten matt | |
| -02 Black matt | | -62 Antique grey matt | |
| -05 Anthracite grey matt | | -65 Blue matt | |
| -19 Light grey matt | | -80 Sand matt | |
| -26 Bronze | | -83 Green matt | |

THINK BOLLARD - THINK BULLARD

sales@gordonbullard.com
www.bullardbollards.com
1-877-964-4646

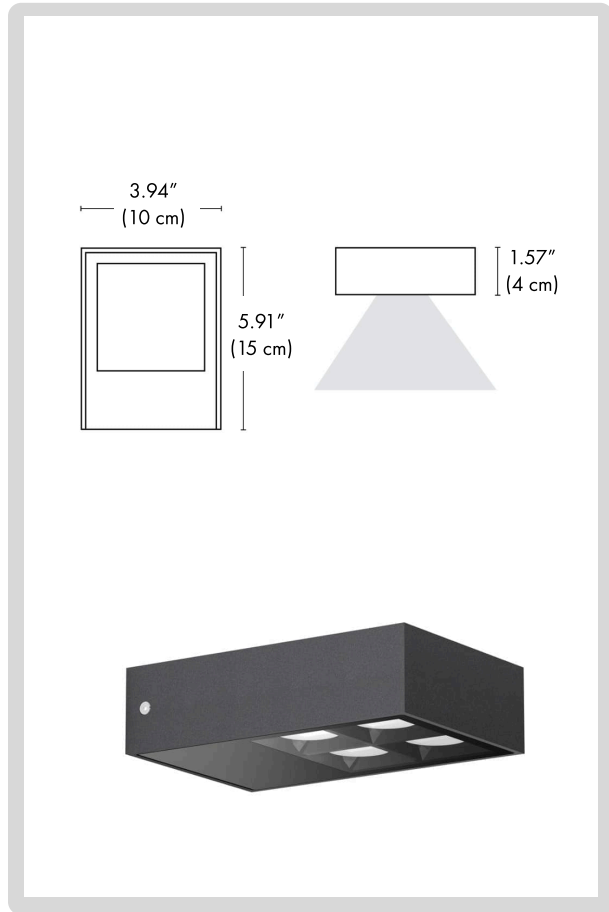


991 South Gull Lake Dr
Richland, MI 49083
USA



FIXTURE TYPE: _____

PROJECT NAME: _____



HOW TO ORDER:

CODE:

Example:
CODE: BB-1143.00AHST-GH-80-35-L2-B2
-277-DIM-01

BB-1143.00AHST
-GH-80-35-L2-B2
-277-DIM-01

1 MODELS:

-100-40

DIMENSIONS:

Length - L: 5.91" (15 cm)
Width - W: 3.94" (10 cm)
Height - H: 1.57" (4 cm)

2 LIGHT SOURCE:

- L1** LED / 1 x 12W / 3000K / 1 x 1379 lm / 110-277V
- L2** LED / 1 x 8.5W / 3000K / 1 x 966 lm / 110-277V
- L3** LED / 1 x 12W / 4000K / 1 x 1512 lm / 110-277V
- L4** LED / 1 x 8.5W / 4000K / 1 x 1059 lm / 110-277V

3 BEAM ANGLE:

- B1** 16°
- B2** 36°
- B3** 53°
- B4** 44° x 64° (FOR LIGHT SOURCE: L1 / L3)

5 DIMMING OPTIONS:

- NON** NON-Dimmable
- DIM** 0-10V
- CAS** Casambi
- DAL** Dali

6 FINISH OPTIONS:

- | | | | |
|---------------------------------|--|------------------------------|--|
| -01 White matt | | -45 Corten matt | |
| -02 Black matt | | -62 Antique grey matt | |
| -05 Anthracite grey matt | | -65 Blue matt | |
| -19 Light grey matt | | -80 Sand matt | |
| -26 Bronze | | -83 Green matt | |

THINK BOLLARD - THINK BULLARD

sales@gordonbullard.com
www.bullardbollards.com
1-877-964-4646

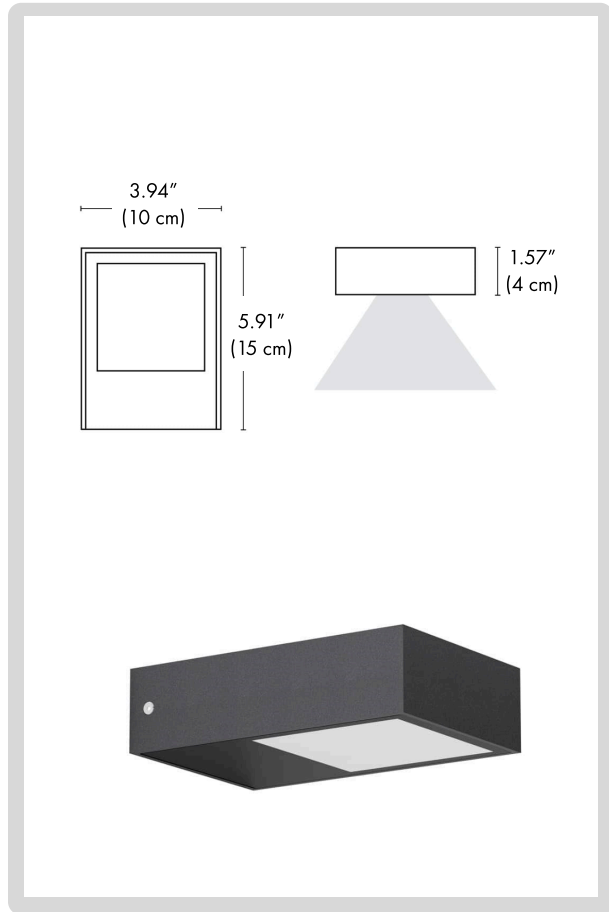


991 South Gull Lake Dr
Richland, MI 49083
USA



FIXTURE TYPE: _____

PROJECT NAME: _____



HOW TO ORDER:

CODE:

Example:
CODE: BB-1143.00AHST-GH-80-35-L2-B2
-277-DIM-01

BB-1143.00AHST
-GH-80-35-L2-B2
-277-DIM-01

1 MODELS:

-MAX-100-40

DIMENSIONS:

Length - L: 5.91" (15 cm)
Width - W: 3.94" (10 cm)
Height - H: 1.57" (4 cm)

2 LIGHT SOURCE:

-L1 LED / 1 x 11.6W / 3000K / 1 x 1468 lm / 110-277V
-L2 LED / 1 x 11.6W / 4000K / 1 x 1556 lm / 110-277V

3 BEAM ANGLE:

114°

5 DIMMING OPTIONS:

-NON NON-Dimmable
-DIM 0-10V
-CAS Casambi
-DAL Dali

6 FINISH OPTIONS:

-01 White matt		-45 Corten matt	
-02 Black matt		-62 Antique grey matt	
-05 Anthracite grey matt		-65 Blue matt	
-19 Light grey matt		-80 Sand matt	
-26 Bronze		-83 Green matt	

THINK BOLLARD - THINK BULLARD

sales@gordonbullard.com
www.bullardbollards.com
1-877-964-4646



991 South Gull Lake Dr
Richland, MI 49083
USA