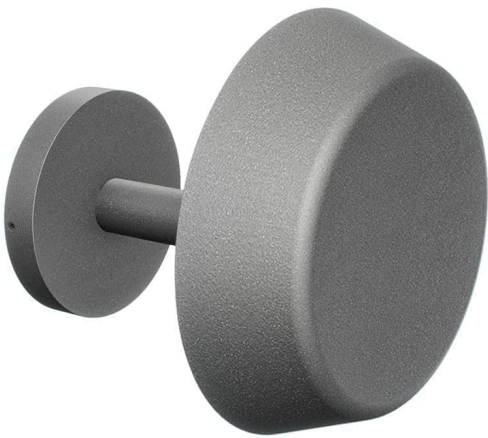
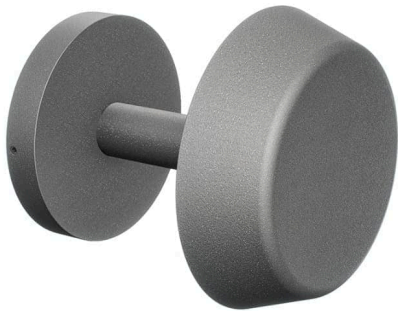




FIXTURE TYPE: _____

PROJECT NAME: _____

NOTES:



GENERAL INFORMATION:

The Vela Glow by Bullard Bollards is a surface-mounted LED wall luminaire designed for outdoor architectural lighting with a minimal, modern circular form. It operates on 110–277V with CRI >90 and an IP66 rating, making it highly resistant to dust and water for exterior environments. The fixture is constructed from extruded aluminum EN AW-6060 T5 with a polyester powder-coated finish for durability and UV/weather resistance, and uses stainless steel screws with silicone gaskets for sealing. It features a wide 109° beam angle, comes in two size options (105 and 147 models) delivering 850–1400 lumens depending on 3000K or 4000K color temperature, and supports multiple dimming options including non-dimmable, 0-10V, Casambi, and DALI.

FIXTURE TYPE:

Surface Mounted Wall Luminaires

LIGHTING:

LED

INPUT VOLTAGE:

110-277V

MATERIAL:

Extruded aluminum EN AW-6060 T5 high resistance to oxidation

GASKETS:

Silicone gaskets

EXTERNAL SCREWS:

Stainless steel A4-70 treated with highly antioxidant water-repellent lubricating solution

FINISH AND PROTECTION:

Primary treatment with nanoceramic conversion. Protection with textured polyester powder coating resistant to weathering and UV rays

DRIVER POSITION:

Integral

THINK BOLLARD - THINK BULLARD

sales@gordonbullard.com
www.bullardbollards.com
1-877-964-4646

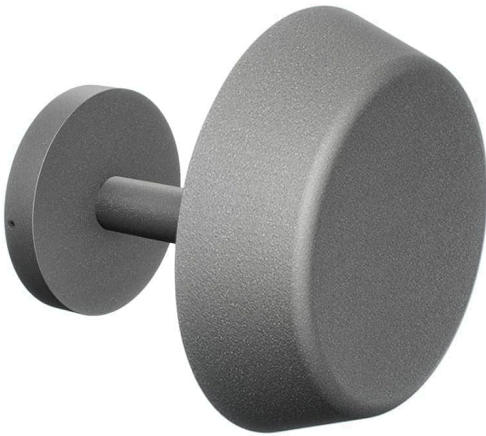
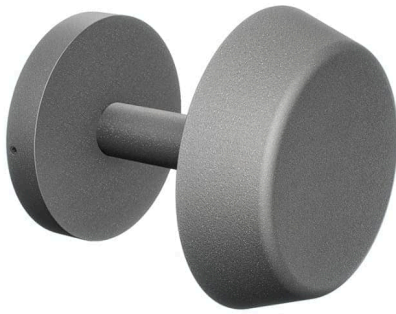


991 South Gull Lake Dr
Richland, MI 49083
USA

FIXTURE TYPE: _____

PROJECT NAME: _____

NOTES:



CRI:

>90

IP RATING:

IP66

CONTROL:

Dim IGBT-TRIAC

CABLE ENTRY:

Nylon cable gland M12 Ø 3,5/7 mm

CABLE TYPE:

H05RN-F 3x0.01 cm²

CORD LENGTH:

50 cm

BEAM ANGLE / LIGHT DISTRIBUTION:

109° / Other

BEAM DIRECTIONABILITY:

Fixed optics

DIFFUSER MATERIAL/FINISH:

Polycarbonate / Opal

WARRANTY:

LED lighting products are warranted for 5 years.

MAIN FEATURES:

- High visual comfort
- Wide range of finishes
- Functional design
- Minimal design
- Reduced overhang
- Operating Temperature: 253.15 K ÷ 308.15 K (-20 °C ÷ +35 °C)
- Increased temperature to 323.15 K (50°C)
- * upon request previous specific components and test



THINK BOLLARD - THINK BULLARD

sales@gordonbullard.com
www.bullardbollards.com
1-877-964-4646



991 South Gull Lake Dr
Richland, MI 49083
USA



FIXTURE TYPE: _____

PROJECT NAME: _____

HOW TO ORDER:

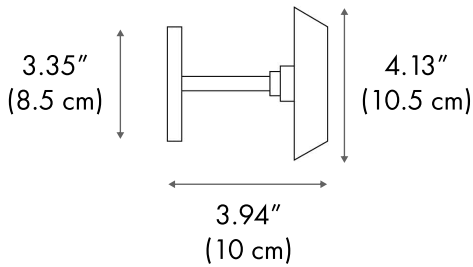
CODE:

Example:
CODE: BB-1309.00AHXO-GH-105-K30-DIM-05

BB-1385.00CAXW-GH
-100-K30-DIM-02
-AC502

1 MODELS:

-105



-105

DIMENSIONS:

Diameter - Ø: 4.13" (10.5 cm)
Depth - P: 3.94" (10 cm)
Base - Ø: 3.35" (8.5 cm)

LIGHT SOURCE:

LED / 1 x 7W / 110-277 V / 60 Hz

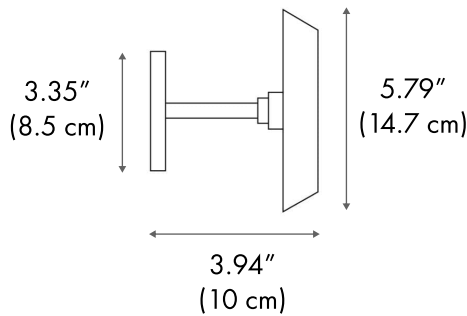
CCT&LUMENS:

-K30 3000K = 850 lm
-K40 4000K = 900 lm

BEAM ANGLE:

109°

-147



-147

DIMENSIONS:

Diameter - Ø: 5.79" (14.7 cm)
Depth - P: 3.94" (10 cm)
Base - Ø: 3.35" (8.5 cm)

LIGHT SOURCE:

LED / 1 x 12W / 110-277 V / 60 Hz

CCT&LUMENS:

-K30 3000K = 1300 lm
-K40 4000K = 1400 lm

BEAM ANGLE:

109°



THINK BOLLARD - THINK BULLARD

sales@gordonbullard.com
www.bullardbollards.com
1-877-964-4646

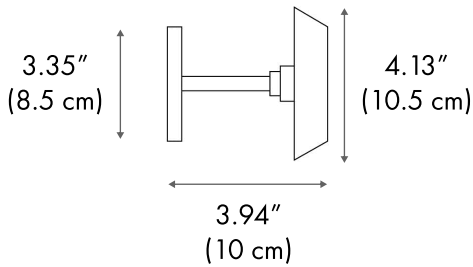


991 South Gull Lake Dr
Richland, MI 49083
USA

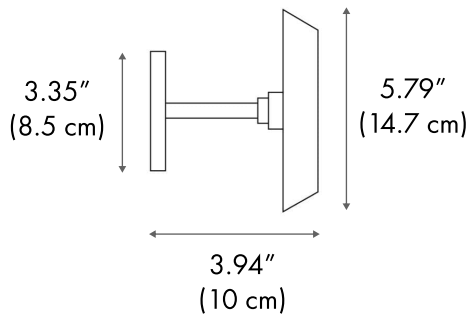
FIXTURE TYPE: _____

PROJECT NAME: _____

-105



-147



HOW TO ORDER:

CODE:

Example:
CODE: BB-1385.00CAXW-GH-100-K30-DIM-02-AC502

BB-1385.00CAXW-GH
-100-K30-DIM
-02-AC502

2 DIMMING OPTIONS:

- NON NON-Dimmable
- DIM 0-10V
- CAS Casambi
- DAL Dali

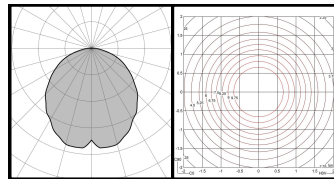
3 FINISH OPTIONS:

- 01 White matt
- 02 Black matt
- 05 Anthracite grey matt
- 19 Light grey matt
- 26 Bronze
- 45 Corten matt
- 62 Antique grey matt
- 65 Blue matt
- 80 Sand matt
- 83 Green matt

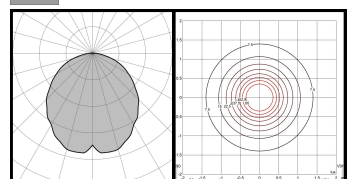
4 PHOTOMETRY:

-105

109° / 3000K

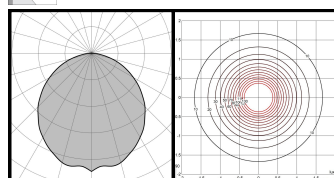


109° / 4000K

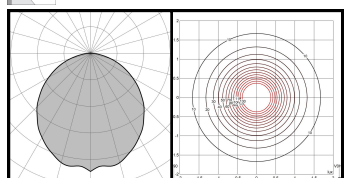


-147

109° / 3000K



109° / 4000K



THINK BOLLARD - THINK BULLARD

sales@gordonbullard.com

www.bullardbollards.com

1-877-964-4646



991 South Gull Lake Dr

Richland, MI 49083

USA