



BULLARD
BOLLARDS
Think Bollard Think Bullard

INSTALLATION INSTRUCTION
01/28/2026

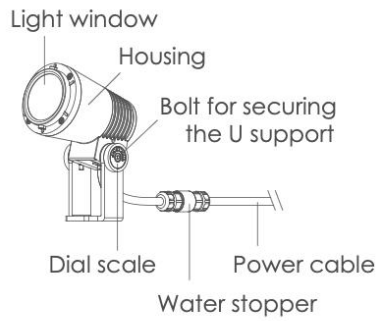
ASTRID





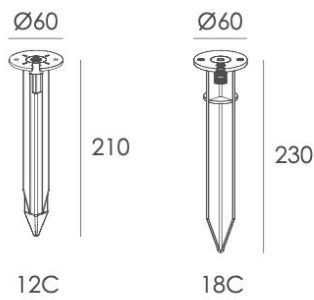
Exterior details

1.1 Luminaire

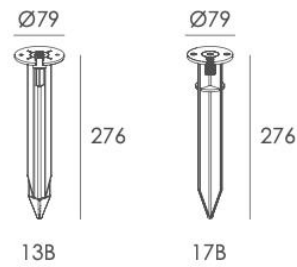


1.3 Optional accessories

Spike



Spike

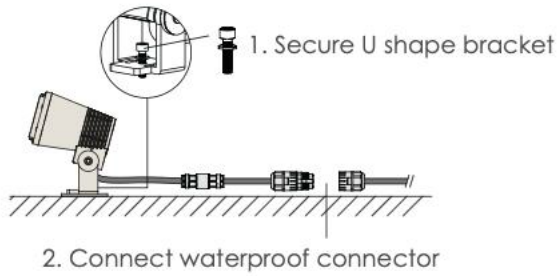


Data Sheet:

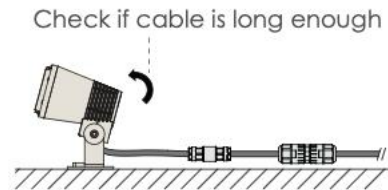
Input Voltage (V): 110-277
IK 05 / 06

Installation steps

Step 1

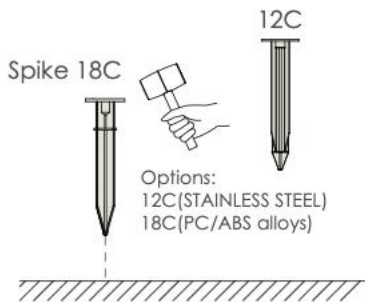


Step 2

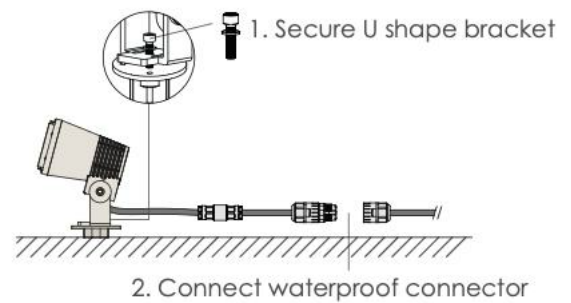


Accessories assemble - Spike

Step 1



Step 2



Step 3

