



**BULLARD
BOLLARDS**
Think Bollard Think Bullard

INSTALLATION INSTRUCTION

CORRIMANO

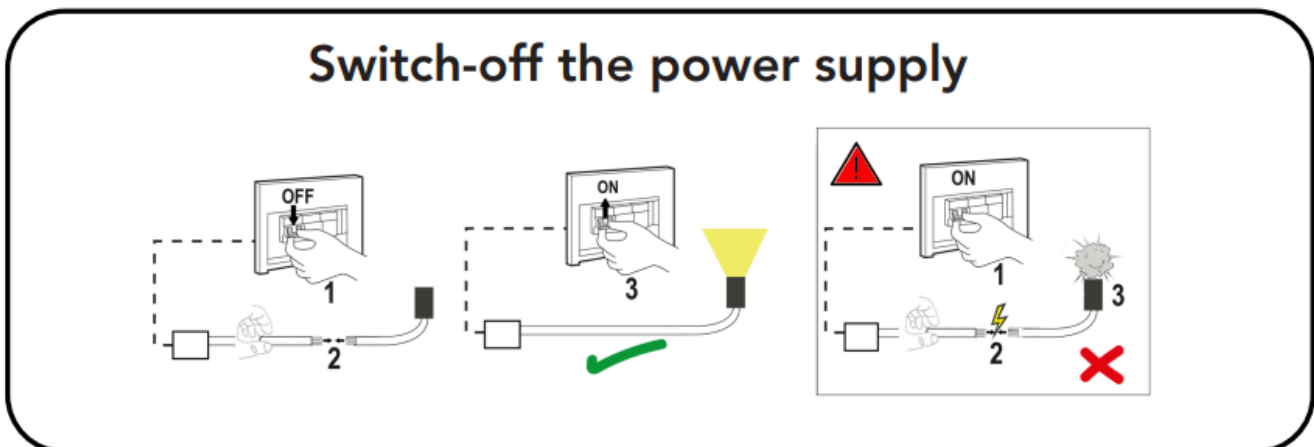
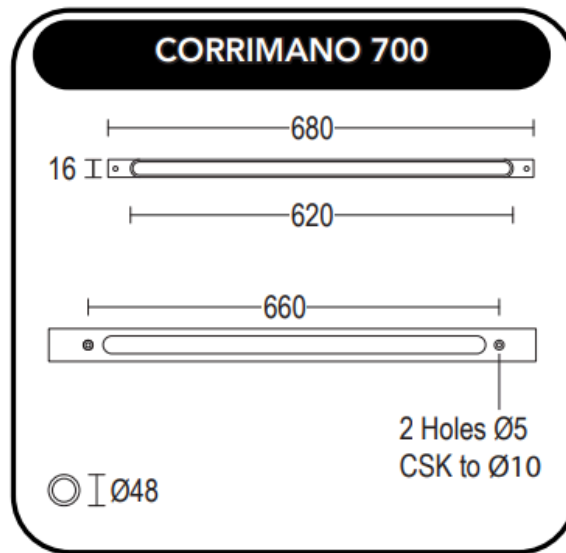
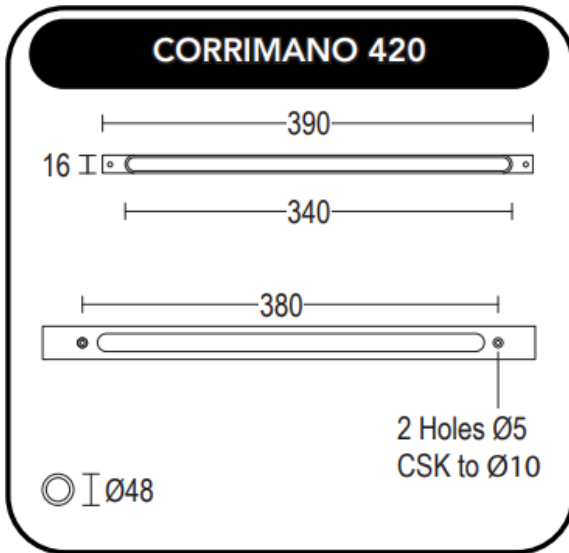
INSTALLATION TYPE:
INTEGRATED HAND RAILS




02/19/2026

(EN) WARNING:

- The safety of this fixture is guaranteed only if you comply with these instructions; remember to keep in a safe place.
- The appliance must not be tampered with or transformed and it must be installed and used as supplied and in compliance with the national rules on installations.
- Switch-off the power supply before installing the product or carrying out any type of maintenance.
- The light source contained in this luminaire shall be replaced only by the manufacturer or his service agent.
- Installation and service must be performed by qualified service personnel.
- Use the unit only complete with diffuser.
- Any non-compliant installations will invalidate all forms of guarantee.



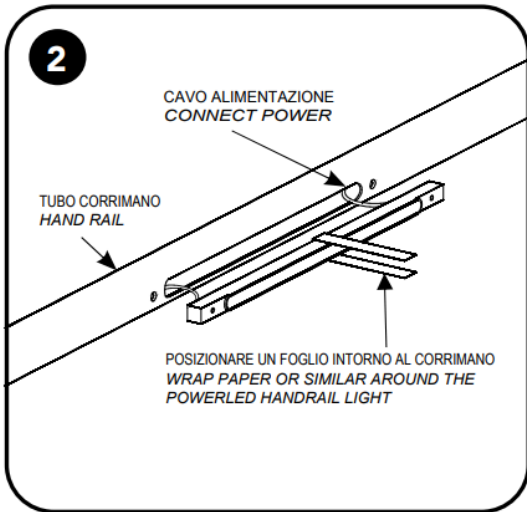
1



1 INSERIRE I CAVI SPELATI NEL CONNETTORE E CONTROLLARE CHE SIANO POSIZIONATI CORRETTAMENTE ALL'INTERNO DEL CONNETTORE STESSO
 INSERT THE STRIPPED CABLES INTO THE CONNECTOR AND CHECK THAT THEY ARE CORRECTLY POSITIONED WITHIN THE CONNECTOR ITSELF

2 ESERCITARE UNA PRESSIONE SUL CAPPUCCIO DEL CONNETTORE PER EFFETTUARE AIUTANDOSI CON UNA PINZA PER EFFETTUARE LA CONNESSIONE
 APPLY PRESSURE TO THE CONNECTOR CAP WITH THE HELP OF PLIERS TO MAKE THE CONNECTION

2

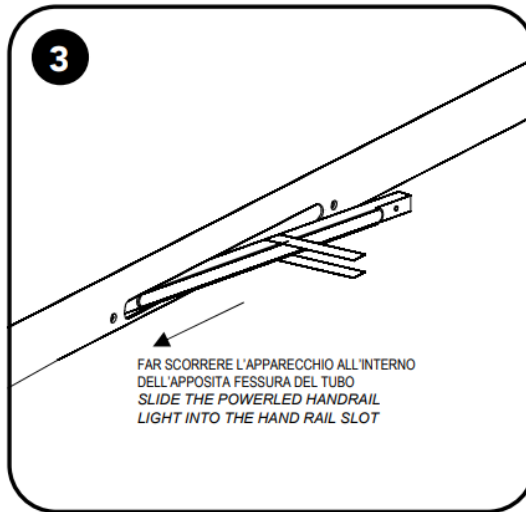


CAVO ALIMENTAZIONE
 CONNECT POWER

TUBO CORRIMANO
 HAND RAIL

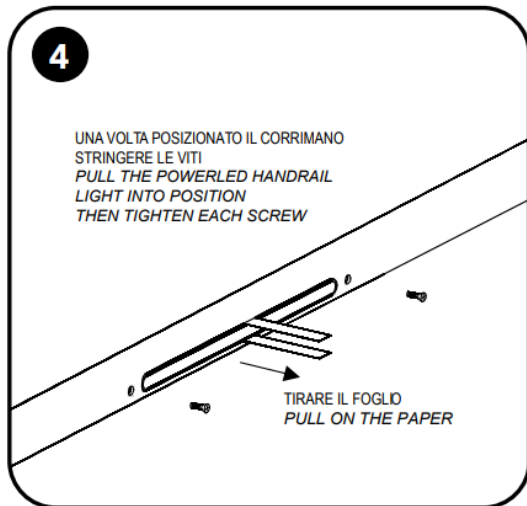
POSIZIONARE UN FOGLIO INTORNO AL CORRIMANO
 WRAP PAPER OR SIMILAR AROUND THE POWERLED HANDRAIL LIGHT

3



FAR SCORRERE L'APPARECCHIO ALL'INTERNO DELL'APPOSITA FESSURA DEL TUBO
 SLIDE THE POWERLED HANDRAIL LIGHT INTO THE HAND RAIL SLOT

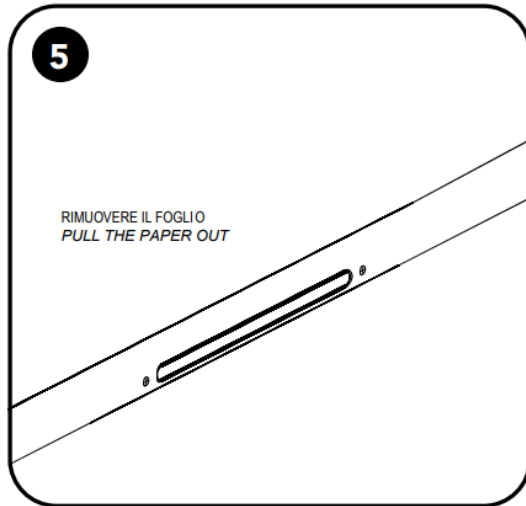
4



UNA VOLTA POSIZIONATO IL CORRIMANO STRINGERE LE VITI
 PULL THE POWERLED HANDRAIL LIGHT INTO POSITION THEN TIGHTEN EACH SCREW

TIRARE IL FOGLIO
 PULL ON THE PAPER

5



RIMUOVERE IL FOGLIO
 PULL THE PAPER OUT