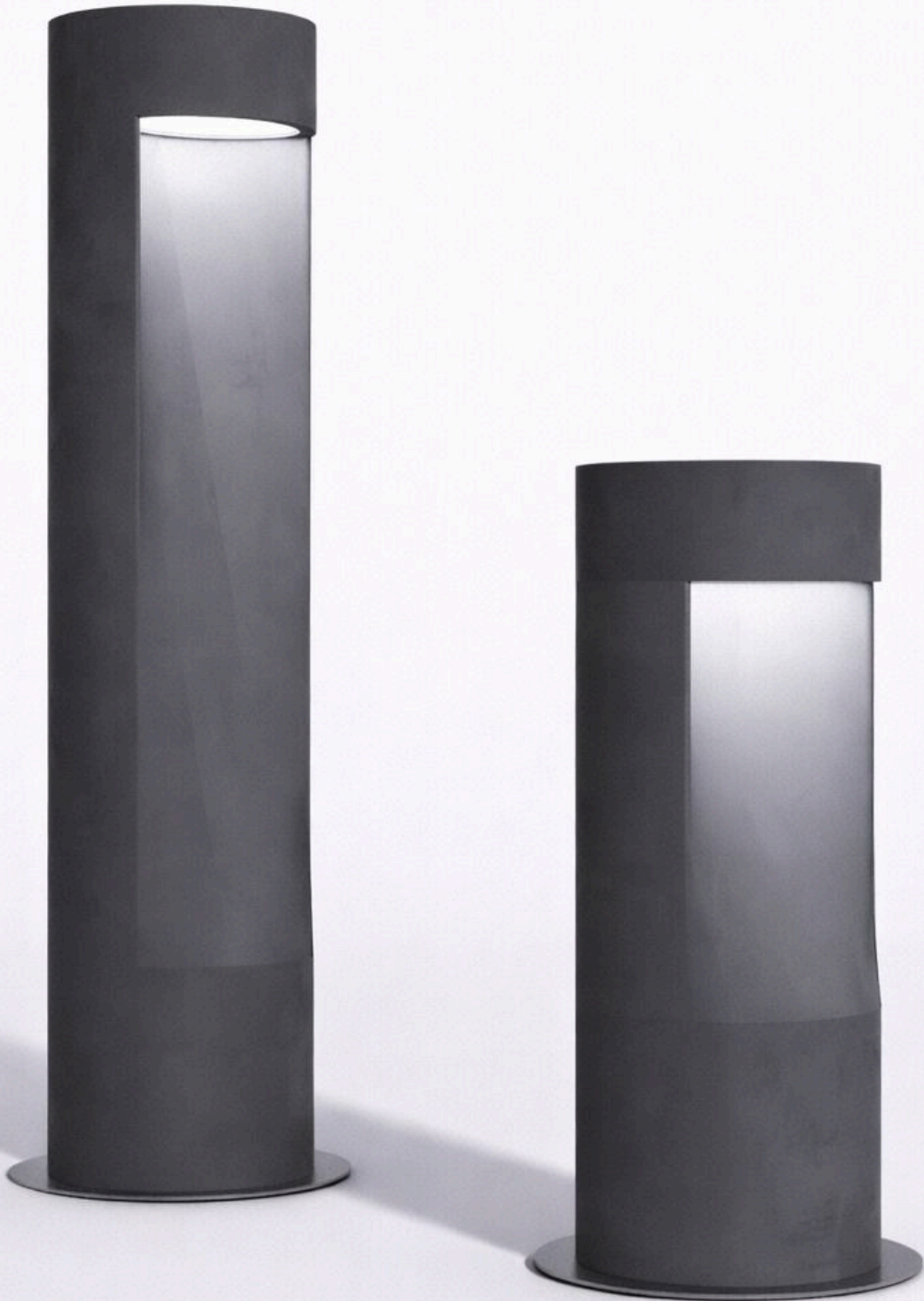




**BULLARD
BOLLARDS**
Think Bollard Think Bullard

LEVICO
BB-LVC-BL





**BULLARD
BOLLARDS**
Think Bollard Think Bullard

**CODE:
BB-LVC-BL**

FIXTURE TYPE: _____

PROJECT NAME: _____

GENERAL INFORMATION:

The LEVICO bollard by Bullard Bollards, crafted from high-quality BETALY®, combines robust performance with a minimalist design ideal for modern outdoor environments. Engineered for durability with an IP65 rating, it is suited for various weather conditions and offers excellent visual comfort. Available in two sizes—19.69" (50 cm) and 31.5" (80 cm) heights—with a base diameter of 9.45" (24 cm), it houses an integral 10W LED light source delivering 800 lumens at 3000K (CRI 80). The fixture supports multiple dimming options including 0-10V, Casambi, Lutron, and Dali, and comes in stylish finishes such as white, green, corten, grey, and black. Backed by a 5-year warranty, LEVICO delivers reliable, elegant lighting for pathways, parks, and architectural landscapes.

FIXTURE TYPE:

Bollard

VOLTAGE:

110-277V



MATERIAL:

BETALY®

DRIVER POSITION:

Integral

IP RATING:

IP65

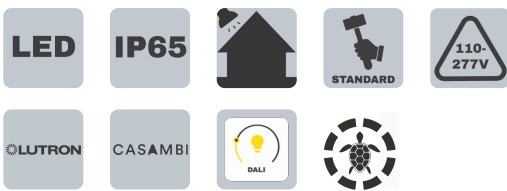


WARRANTY:

LED lighting products are warranted for 5 years.

MAIN FEATURES:

- High visual comfort
- Available in a wide range of finishes
- Functional and minimalistic design
- Operating Temperature: -104°F to +140°F.



THINK BOLLARD - THINK BULLARD

sales@gordonbullard.com
www.bullardbollards.com
1-877-964-4646



991 South Gull Lake Dr
Richland, MI 49083
USA



FIXTURE TYPE: _____

PROJECT NAME: _____

HOW TO ORDER:

CODE:

Example:
CODE: BB-LVC-BL-A-DIM-CR

BB-LVC-BL-A
-DIM-CR

1 MODEL:

-A

DIMENSIONS:

- A) Diameter - Ø: 7.48" (19 cm)
- B) Height - H: 19.69" (50 cm)
- C) Base Diameter - Ø: 9.45" (24 cm)

-B

DIMENSIONS:

- A) Diameter - Ø: 7.48" (19 cm)
- B) Height - H: 31.50" (80 cm)
- C) Base Diameter - Ø: 9.45" (24 cm)

2 LIGHT SOURCE:

-1 LED / 4W / 630 lm / 3000K / CRI 80

-2 LED / 590 nm / Amber LIGHT

3 CCT: ONLY FOR LIGHTSOURCE -1

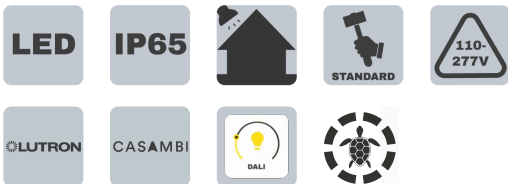
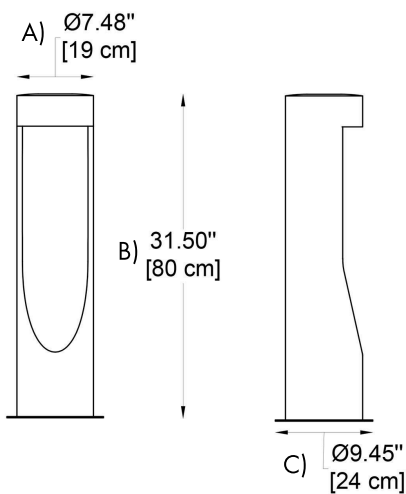
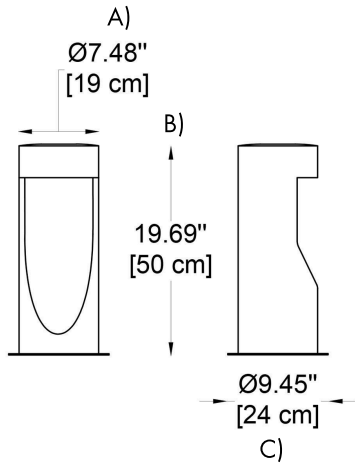
- 22K** 2200K = 570 lm **-K16** 1600K
- 27K** 2700K = 600 lm **-K18** 1800K
- 30K** 3000K = 630 lm

4 DIMMING OPTIONS:

- NON** NON-Dimmable
- DIM** 0-10V
- CAS** Casambi
- LUT** Lutron

5 FINISH OPTIONS:

- WH** White
- GE** Green
- CR** Corten
- GR** Grey
- BL** Black
- SD** Sand



THINK BOLLARD - THINK BULLARD

sales@gordonbullard.com
www.bullardbollards.com
1-877-964-4646



991 South Gull Lake Dr
Richland, MI 49083
USA