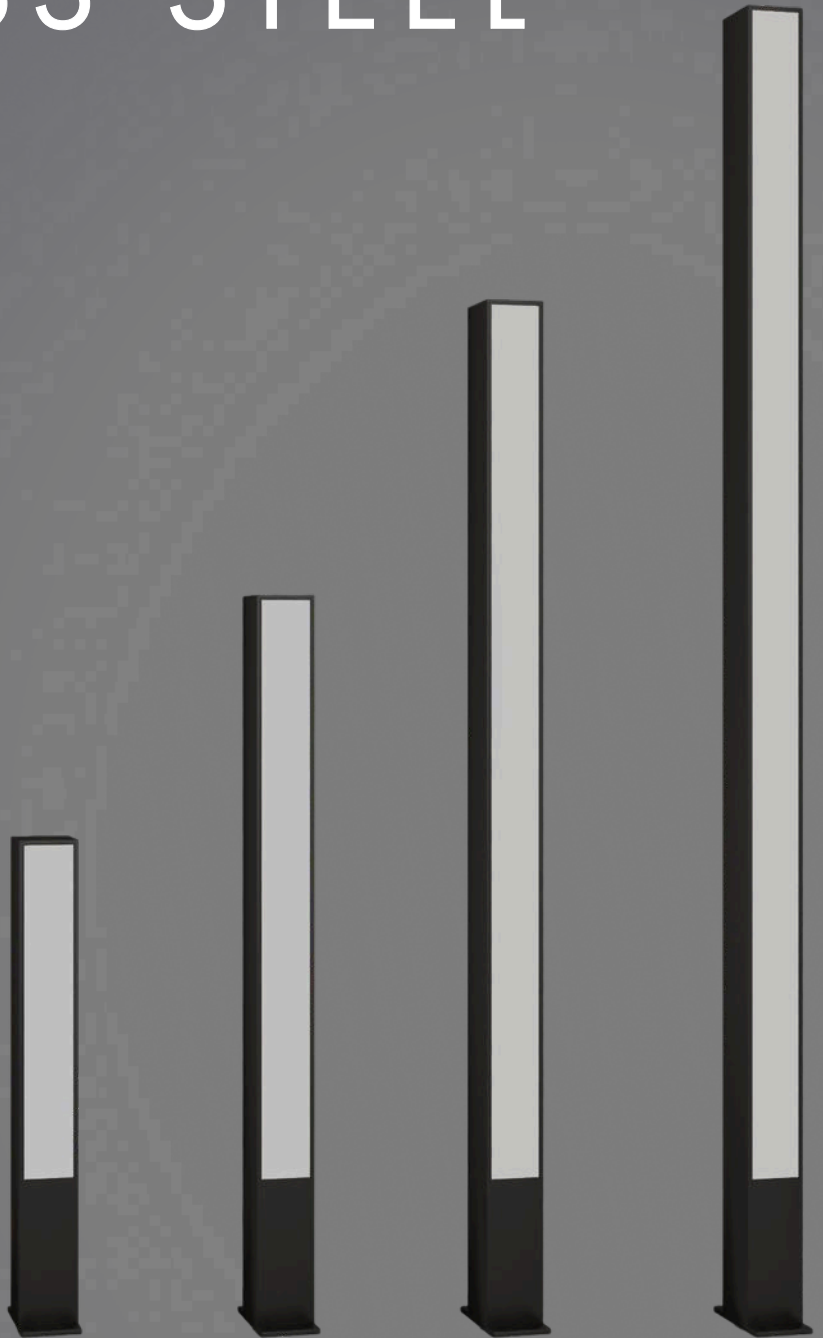


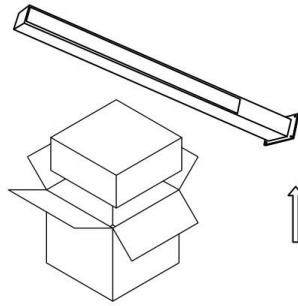


**BULLARD
BOLLARDS**
Think Bollard Think Bullard

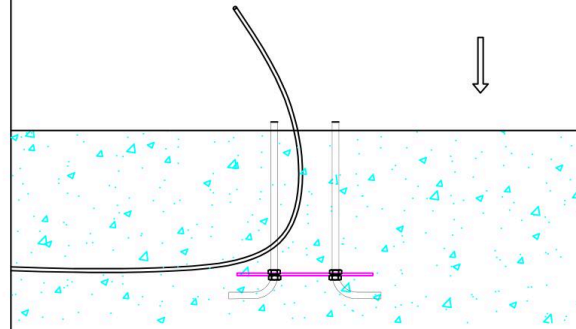
STAINLESS STEEL LINEAR

INSTALLATION TYPE:
SURFACE-MOUNT



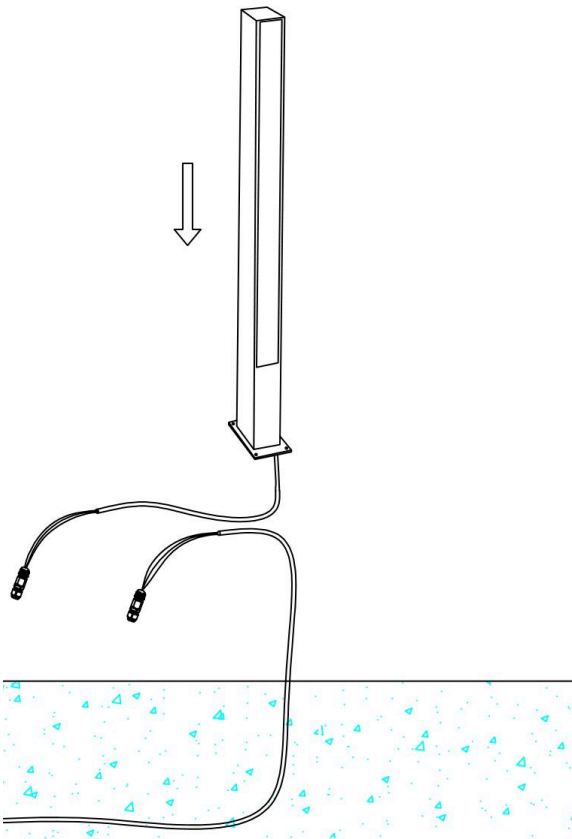


1, Take out the lamps and find the corresponding accessories.



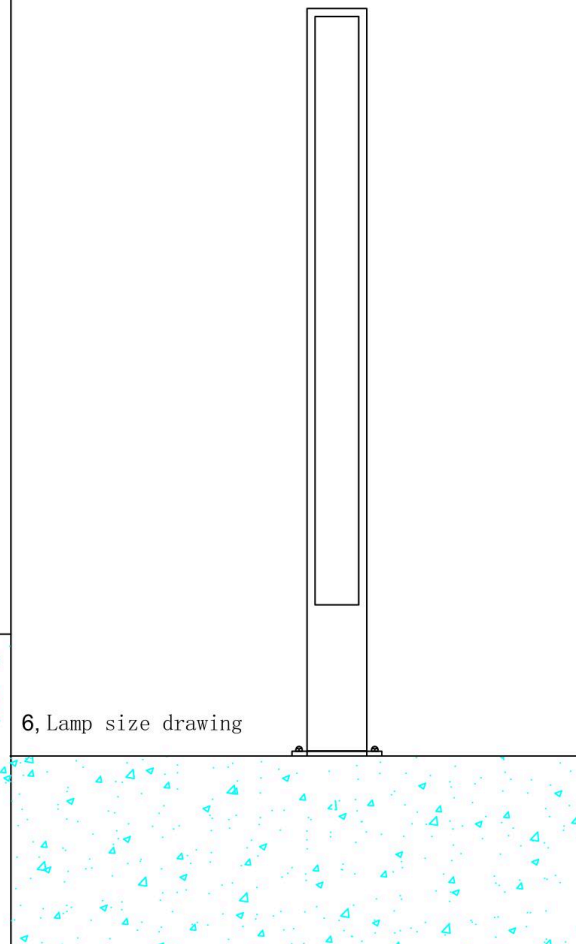
2, Fix the ground cage into the cement ground to adjust the level.

3, Expose the embedded three-core waterproof power cord to L500MM.



4, Connect the power cord through the three-core waterproof connector.

5, Fix the lamp on the embedded ground cage.



6, Lamp size drawing

sales@gordonbullard.com
www.bullardbollards.com
1 877-964-4646



991 South Gull Lake Dr.
Richland, MI 49083
USA