



**BULLARD
BOLLARDS**
Think Bollard Think Bullard

BUNNY PATH (INGROUND LUMINAIRES)





FIXTURE TYPE: _____

PROJECT NAME: _____

NOTES:

GENERAL INFORMATION:

The Bunny Path is a high-performance in-ground adjustable luminaire designed to deliver precise and powerful architectural illumination for landscapes, facades, and feature elements. Constructed from corrosion-resistant die-cast aluminum with stainless steel hardware and a tempered 15mm glass diffuser, this IP67-rated fixture is built to withstand demanding outdoor environments. Operating on 110–277V with an integral driver, it offers adjustable beam directionality with ±90° swivel and 359° rotation for maximum aiming flexibility. Available in multiple beam spreads (15°, 37°, 74°) and lumen packages, it provides exceptional visual comfort, high CRI performance, and reliable long-term operation. A wide selection of finishes and accessories, including IP68 connectors and rough-in housings, ensures seamless integration into professional landscape and architectural lighting projects.

LIGHTING:

LED



VOLTAGE:

110-277V



FIXTURE TYPE:

Inground Luminaires

MATERIAL:

Die-cast aluminum EN AB 44100 highly resistant to oxidation

EXTERNAL SCREWS:

Stainless steel A4-70 treated with highly antioxidant water-repellent lubricating solution

DIFFUSER MATERIAL:

Tempered glass 15mm

ROUGH IN HOUSING:

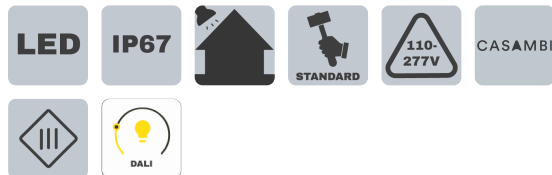
Iron with black cataphoretic treatment - to be ordered separately

DRAINAGE:

300mm of gravel or draining material. Alternatively, draining piping system.

IP RATING:

IP 67



THINK BOLLARD - THINK BULLARD

sales@gordonbullard.com
www.bullardbollards.com
1-877-964-4646



991 South Gull Lake Dr
Richland, MI 49083
USA



FIXTURE TYPE: _____

PROJECT NAME: _____

NOTES:

OPERATION RANGE:

220-240 V - 50/60 Hz

APPLINCE CLASS:

|||

DRIVER POSITION:

Integral

CRI:

>90

CABLE ENTRY / CABLE TYPE:

Brass cable gland PG13,5 Ø 6/12 mm / H07RN8-F 3x1mm2

CORD LENGTH:

1m

SWIVEL:

+/- 90°

ROTATION:

359°

LIGHT DISTRIBUTION:

15° - Symmetrical medium flood (15° - 45°)
37° - Symmetrical medium flood (15° - 45°)
74° - Symmetrical medium flood (45° - 125°)

BEAM DIRECTIONABILITY:

Adjustable

OPTICS:

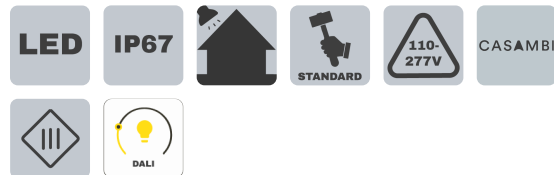
Reflector in anti-UV technopolymer with super pure aluminum metallization

WARRANTY:

LED lighting products are warranted for 5 years.

MAIN FEATURES:

High visual comfort / Wide range of finishes
Functional design / Minimal design
Shock resistant / Operating Temperature: -22°F~122°F



THINK BOLLARD - THINK BULLARD

sales@gordonbullard.com
www.bullardbollards.com
1-877-964-4646

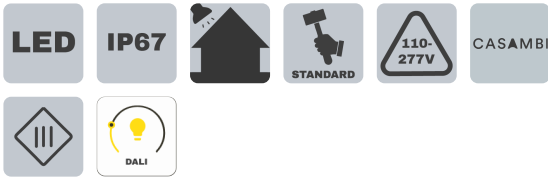
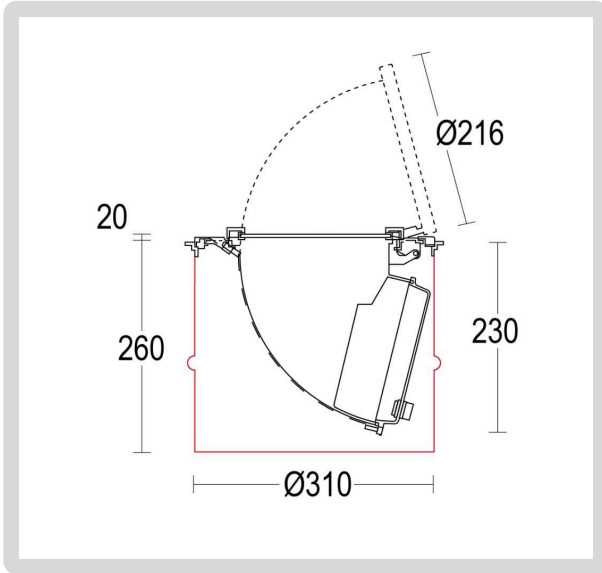


991 South Gull Lake Dr
Richland, MI 49083
USA



FIXTURE TYPE: _____

PROJECT NAME: _____



HOW TO ORDER:

CODE:

Example:
CODE: BB-005200.BUST-IL-GH-
L1-B1-DIM-02-AC150

BB-005200.BUST-
IL-GH-L1-B1-
DIM-02-AC150

1 DIMENSIONS:

- A) Diameter - Ø: 8.50" (21.6 cm)
- B) Height - H: 0.79" - 9.06" (2-23 cm)
- C) Recessed hole diameter - Ø: 12.20" (31 cm)
- D) Recessed depth - P: 10.24" (26 cm)

2 LIGHT SOURCE:

- L1 LED / 110-277V / 1 x 16.5W / 3000K / 1 x 2410 lm
- L2 LED / 110-277V / 1 x 23.7 W / 3000 K / 1 x 3306 lm
- L3 LED / 110-277V / 1 x 31.3 W / 3000 K / 1 x 4166 lm
- L4 LED / 110-277V / 1 x 37.1 W / 3000 K / 1 x 4788 lm

3 BEAM ANGLE:

- B1 15°
- B2 37°
- B3 74°

4 DIMMING OPTIONS:

- NON NON-Dimmable
- DIM 0-10V
- CAS Casambi
- DAL Dali

5 FINISH OPTIONS:

- 01 White matt
- 02 Black matt
- 05 Anthracite grey matt
- 19 Light grey matt
- 26 Bronze
- 45 Corten matt
- 62 Antique grey matt
- 65 Blue matt
- 80 Sand matt
- 83 Green matt

THINK BOLLARD - THINK BULLARD

sales@gordonbullard.com
www.bullardbollards.com
1-877-964-4646



991 South Gull Lake Dr
Richland, MI 49083
USA

FIXTURE TYPE: _____

PROJECT NAME: _____

HOW TO ORDER:

CODE:

Example:
CODE: BB-005200.BUST-IL-GH-
L1-B1-DIM-02-AC150

BB-005200.BUST-
IL-GH-L1-B1-
DIM-02-AC150

6

ACCESSORIES:

-AC150

Rough-in housing (iron)



-AC204

IP 68 fast connector 4P



-AC204-5P

IP 68 fast connector 5P



-AC279-5P

IP 68 connector for through wiring 5P



THINK BOLLARD - THINK BULLARD

sales@gordonbullard.com

www.bullardbollards.com

1-877-964-4646



991 South Gull Lake Dr

Richland, MI 49083

USA