



**BULLARD  
BOLLARDS**  
Think Bollard Think Bullard

**SNACK BAR  
(ILLUMINATED FURNITURE)**





FIXTURE TYPE: \_\_\_\_\_

PROJECT NAME: \_\_\_\_\_

NOTES:



**GENERAL INFORMATION:**

Snack Bar is a modular luminous counter designed to seamlessly merge aesthetics and functionality. Inspired by the luminous displays that have established Bullard Bollards internationally, it serves equally well as a reception desk or bar counter. Used individually, it is ideal for intimate settings; configured in multiple units, it creates impactful compositions for expansive environments. Crafted from polyethylene and suitable for both indoor and outdoor contemporary spaces, Snack Bar can be personalized with custom logos and graphics.

**FIXTURE TYPE:**

Illuminated Furniture

**VOLTAGE:**

110-277V

**MATERIAL:**

Polyethylene

**IP RATING:**

IP 55

**IP 55**

**FINISHING:**

Light white

**WARRANTY:**

Lighting products are warranted for 5 years.

**APPLIANCE CLASS:**

II



**THINK BOLLARD - THINK BULLARD**

sales@gordonbullard.com

www.bullardbollards.com

1-877-964-4646



991 South Gull Lake Dr

Richland, MI 49083

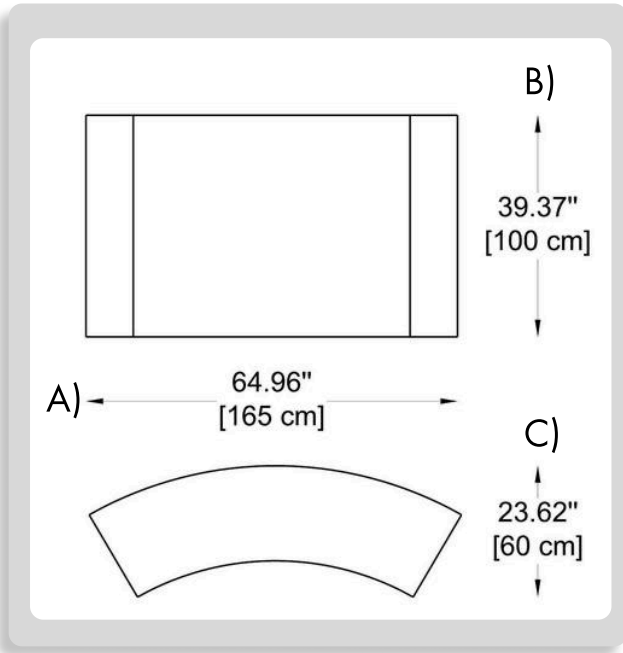
USA



FIXTURE TYPE: \_\_\_\_\_

PROJECT NAME: \_\_\_\_\_

NOTES:



**HOW TO ORDER:**

**CODE:**

**Example:  
CODE: BB-SNB100-SD-102**

**BB-SNB100-  
SD-102**

**1 DIMENSIONS:**

A) Length - L: 64,96" (165 cm)  
B) Height - H: 39,37" (100 cm)  
C) Width - W: 23,62" (60 cm)

**2 LIGHT SOURCE:**

E26 / 2 x max. 15W / 110-277V

**3 FINISH OPTION:**

Light white

**4 WIRING:**

Black cable (Length: 10 ft)

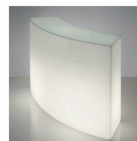
**5 WEIGHT:**

66, 14 lb

**6 ACCESSORIES: (not-included)**

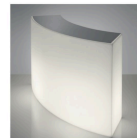
**CODE: -101**

Glass desk (tempered glass)



**CODE: -102**

Steel desk (stainless steel)



**THINK BOLLARD - THINK BULLARD**

sales@gordonbullard.com

www.bullardbollards.com

1-877-964-4646



991 South Gull Lake Dr

Richland, MI 49083

USA