



**BULLARD  
BOLLARDS**  
Think Bollard Think Bullard

**X2**  
**(ILLUMINATED FURNITURE)**





**BULLARD  
BOLLARDS**  
Think Bullard Think Bullard

**CODE:  
BB-XOX110-SD**

FIXTURE TYPE: \_\_\_\_\_

PROJECT NAME: \_\_\_\_\_

NOTES:



**GENERAL INFORMATION:**

X2 is a luminous table designed primarily for the contract world, ideal for outdoor settings. Its X-shaped base makes the table particularly functional, giving it stability and strength, but we don't forget a touch of refined brightness. The square top gives a linear and minimalist design to the high table, and for this reason X2 is ideal for every type of furnishing.

**FIXTURE TYPE:**

Illuminated Furniture

**VOLTAGE:**

110-277V

**MATERIAL:**

Polyethylene

**IP RATING:**

IP 55

**IP 55**

**WARRANTY:**

Lighting products are warranted for 5 years.

**APPLIANCE CLASS:**

II



**LOCATION:**

Outdoor

**THINK BOLLARD - THINK BULLARD**

sales@gordonbullard.com  
www.bullardbollards.com  
1-877-964-4646



991 South Gull Lake Dr  
Richland, MI 49083  
USA



FIXTURE TYPE: \_\_\_\_\_

PROJECT NAME: \_\_\_\_\_

NOTES:

**HOW TO ORDER:**

**CODE:**

**Example:  
CODE: BB-XOX110-SD-111**

**BB-XOX110-  
SD-111**

**DIMENSIONS:**

- A) Length - L: 23,62" (60 cm)
- B) Height - H: 43,30" (110 cm)
- C) Width - W: 23,62" (60 cm)

**LIGHT SOURCE:**

E26 / 1 x max. 15W / 110-277V

**WEIGHT:**

33,06 lb

**WIRING:**

Black cable (Length: 10 ft)

**ACCESSORIES (not-included):**

Table Top

**CODE: -111**

Material:

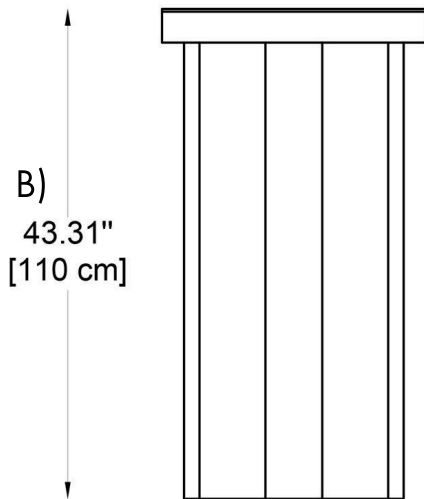
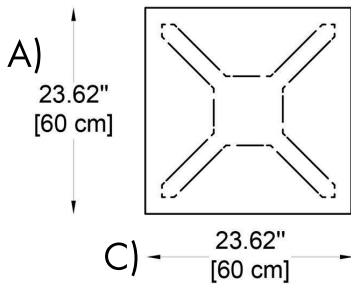
Tempered glass (clear glass)

Dimensions:

L: 23,62" (60 cm)

H: 1,96" (0,5 cm)

W: 23,62" (60 cm)



**THINK BOLLARD - THINK BULLARD**

sales@gordonbullard.com

www.bullardbollards.com

1-877-964-4646



991 South Gull Lake Dr

Richland, MI 49083

USA



FIXTURE TYPE: \_\_\_\_\_

PROJECT NAME: \_\_\_\_\_

NOTES:

**HOW TO ORDER:**

**CODE:**

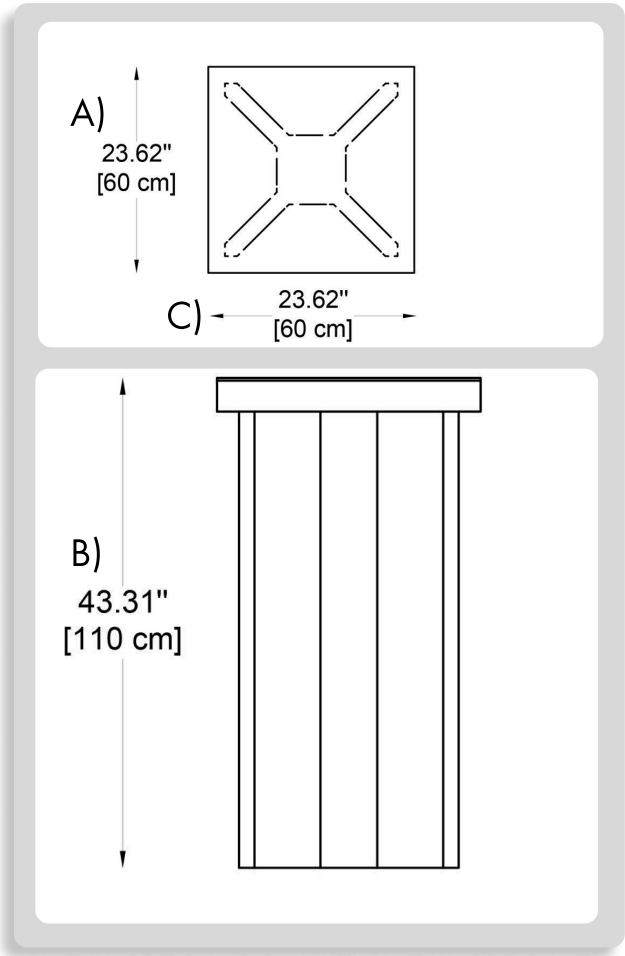
**Example:  
CODE: BB-XOX110-SD-111**

**BB-XOX110-SD-111**

**FINISH OPTIONS (NON-ILLUMINATED):**

**STANDARD COLOURS:**

<b>-MW</b> Milky White		<b>-PB</b> Powder Blue	
<b>-JB</b> Jet Black		<b>-MG</b> Malva Green	
<b>-EG</b> Elephant Grey		<b>-LG</b> Lime Green	
<b>-CB</b> Chocolate Brown		<b>-SY</b> Saffron Yellow	
<b>-AG</b> Argil Grey		<b>-PO</b> Pumpkin Orange	
<b>-DG</b> Dove Grey		<b>-FR</b> Flame Red	
		<b>-SF</b> Sweet Fuchia	



**THINK BOLLARD - THINK BULLARD**

sales@gordonbullard.com  
 www.bullardbollards.com  
 1-877-964-4646



991 South Gull Lake Dr  
 Richland, MI 49083  
 USA