



**BULLARD
BOLLARDS**
Think Bollard Think Bullard

CUBICAL CEILING





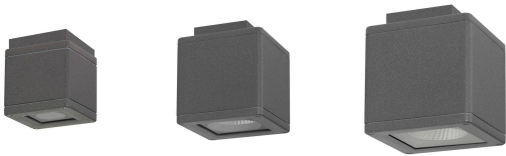
**BULLARD
BOLLARDS**
Think Bullard Think Bullard

**CODE:
BB-1962.00CUBCL-GH**

FIXTURE TYPE: _____

PROJECT NAME: _____

NOTES:



GENERAL INFORMATION:

CUBICAL CEILING is series of ceiling surface mounted luminaires with various dimensions. It is available in multiple sizes and it is especially designed for ambient with high level of humidity or for outdoor applications. It is highly recommended for accent lighting of small facades, porches, bathrooms, showers and other architectural elements in general thanks to the wide availability of optics and powers. The construction of the body in aluminum alloy high resistance to corrosion subjected nano-bonderite, make the product resistant and durable over time.

The finish and protection is made of primary treatment with nanoceramic conversion. Protection with textured polyester powder coating resistant to weathering and UV rays.

FIXTURE TYPE:

Ceiling

VOLTAGE:

110-277V



MATERIAL:

Extruded aluminum EN AW-6060 T5 high resistance to oxidation

IP RATING:

IP 66



WARRANTY:

LED lighting products are warranted for 5 years.

DRIVER POSITION:

Remote

MAIN FEATURES:

- High visual comfort
- Available in a wide choice of optics
- Functional and minimalistic design
- Reduced depth of recess
- Operating Temperature: -4°F to +122°F.

IK RATING

IK 10

THINK BOLLARD - THINK BULLARD

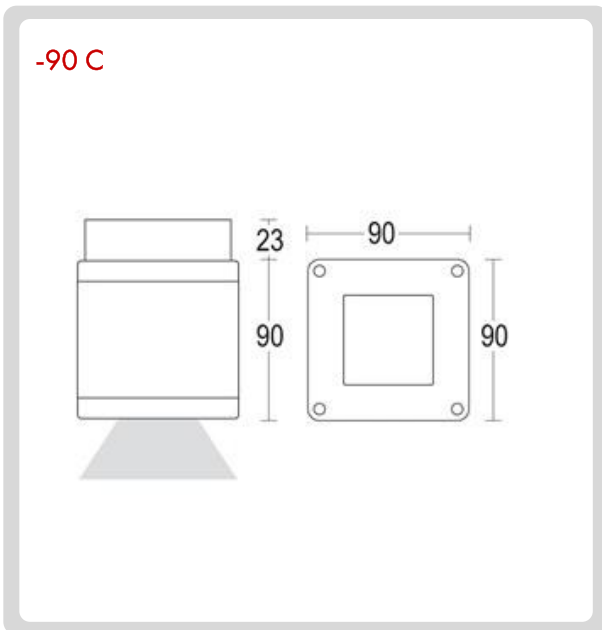
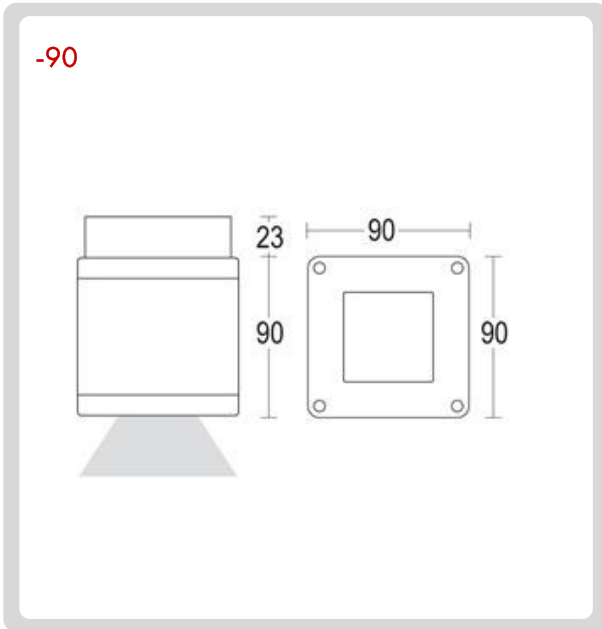
sales@gordonbullard.com
www.bullardbollards.com
1-877-964-4646



991 South Gull Lake Dr
Richland, MI 49083
USA

FIXTURE TYPE: _____

PROJECT NAME: _____



HOW TO ORDER:

CODE:

Example:
CODE: BB-1962.00CUBCL-GH-90-B14-1-
NON-AG

BB-1962.00CUBCL-
L-GH-25-B20-1-
NON-AG

1 MODELS:

**-90
DIMENSIONS:**

A) Length - L: 3.54" (9 cm)
B) Height - H: 3.54" (9 cm)

LIGHT SOURCE:

CODE	BEAM ANGLE	WATTAGE	KELVINS	LUMENS	OPERATION RANGE
-B14-1 -B14-2	14°	1 x 6.5W 1 x 6.5W	3000K 4000K	1 x 946 lm 1 x 1043 lm	110-277V
-B32-1 -B32-2	32°	1 x 6.5W 1 x 6.5W	3000K 4000K	1 x 946 lm 1 x 1043 lm	110-277V

**-90 C
DIMENSIONS:**

A) Length - L: 3.54" (9 cm)
B) Height - H: 3.54" (9 cm)

LIGHT SOURCE:

CODE	BEAM ANGLE	WATTAGE	KELVINS	LUMENS	OPERATION RANGE
-B4464-1 -B4464-2	44° X 64°	1 x 5 W 1 x 5 W	3000K 4000K	1 x 592 lm	110-277V
-B16-1 -B16-2	16°	1 x 5 W 1 x 5 W	3000K 4000K	1 x 540 lm 1 x 592 lm	110-277V
-B36-1 -B36-2	36°	1 x 5 W 1 x 5 W	3000K 4000K	1 x 540 lm 1 x 592 lm	110-277V
-B53-1 -B53-2	53°	1 x 5 W 1 x 5 W	3000K 4000K	1 x 540 lm 1 x 592 lm	110-277V

THINK BOLLARD - THINK BULLARD

sales@gordonbullard.com
www.bullardbollards.com
1-877-964-4646

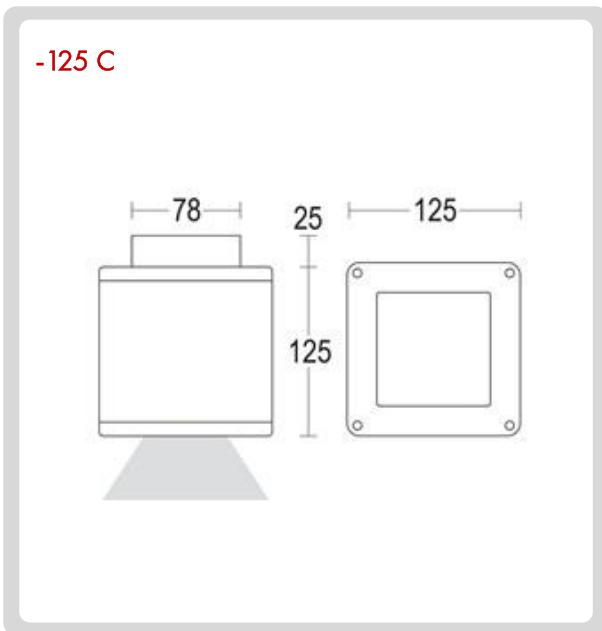
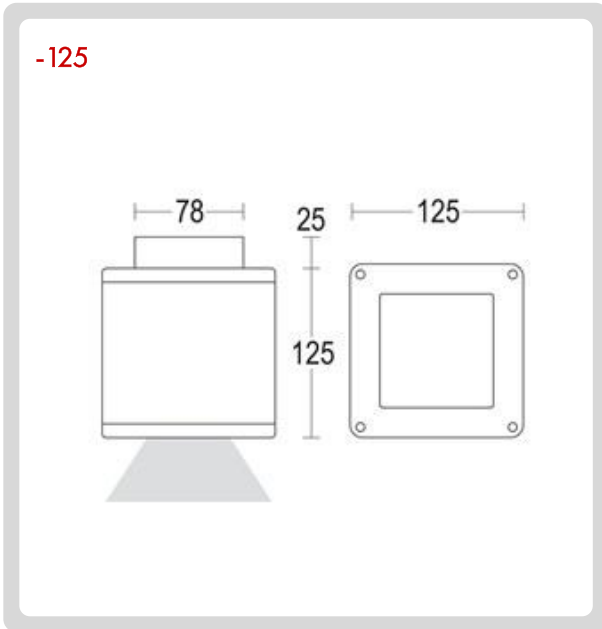


991 South Gull Lake Dr
Richland, MI 49083
USA



FIXTURE TYPE: _____

PROJECT NAME: _____



HOW TO ORDER:

CODE:

Example:
CODE: BB-1962.00CUBCL-GH-90-B14-1-
NON-AG

BB-1962.00CUBCL-GH-25-B20-1-
NON-AG

1 MODELS:

-125

DIMENSIONS:

A) Length - L: 4.92" (12.5 cm)
B) Height - H: 4.92" (12.5 cm)

LIGHT SOURCE:

CODE	BEAM ANGLE	WATTAGE	KELVINS	LUMENS	OPERATION RANGE
-B35-1	35°	1 x 14.7W	3000K	1 x 2181 lm	110-277V
-B35-2		1 x 27.4W	3000K	1 x 3740 lm	
-B35-3		1 x 14.7W	4000K	1 x 2345lm	110-277V
-B35-4		1 x 27.4W	4000K	1 x 4022lm	

-125 C

DIMENSIONS:

A) Length - L: 4.92" (12.5 cm)
B) Height - H: 4.92" (12.5 cm)

LIGHT SOURCE:

CODE	BEAM ANGLE	WATTAGE	KELVINS	LUMENS	OPERATION RANGE
-B4464-1	44°	1 x 17 W	3000K	1 x 1930 lm	110-277V
-B4464-2	X 64°	1 x 17 W	4000K	1 x 2116 lm	
-B16-1	16°	1 x 17 W	3000K	1 x 1930 lm	110-277V
-B16-2		1 x 17 W	4000K	1 x 2116 lm	
-B36-1	36°	1 x 17 W	3000K	1 x 1930 lm	110-277V
-B36-2		1 x 17 W	4000K	1 x 2116 lm	
-B53-1	53°	1 x 17 W	3000K	1 x 1930 lm	110-277V
-B53-2		1 x 17 W	4000K	1 x 2116 lm	

THINK BOLLARD - THINK BULLARD

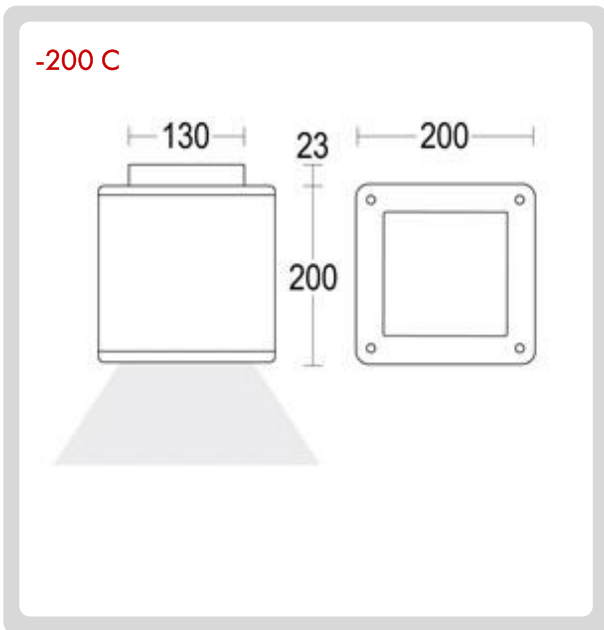
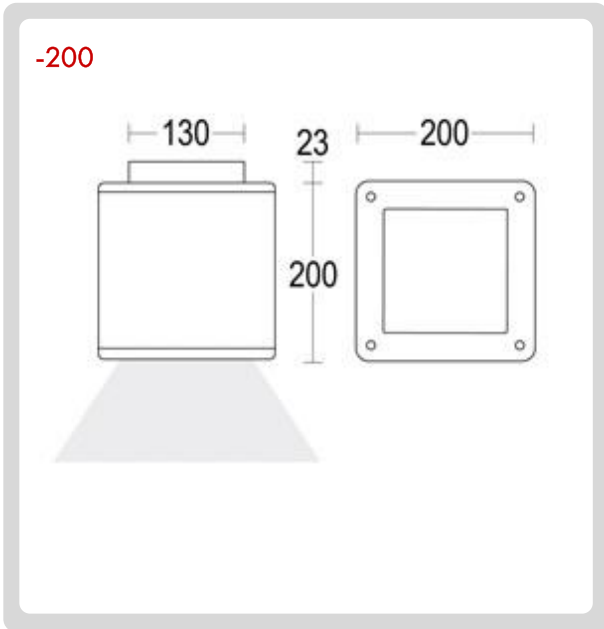
sales@gordonbullard.com
www.bullardbollards.com
1-877-964-4646



991 South Gull Lake Dr
Richland, MI 49083
USA

FIXTURE TYPE: _____

PROJECT NAME: _____



HOW TO ORDER:

CODE:

Example:
CODE: BB-1962.00CUBCL-GH-90-B14-1-
NON-AG

BB-1962.00CUBCL-GH-25-B20-1-
NON-AG

1 MODELS:

**-200
DIMENSIONS:**

A) Length - L: 7.87" (20 cm)
B) Height - H: 7.87" (20 cm)

LIGHT SOURCE:

CODE	BEAM ANGLE	WATTAGE	KELVINS	LUMENS	OPERATION RANGE
-B74-1	74°	1 x 23.7W	3000K	1 x 3306 lm	110-277V
-B74-2		1 x 26 W	3000K	1 x 3716 lm	
-B74-3		1 x 37.1W	3000K	1 x 4788lm	110-277V
-B74-4		1 x 23.7W	4000K	1 x 3555lm	
-B74-5		1 x 26 W	4000K	1 x 3716 lm	
-B74-6		1 x 26 W	4000K	1 x 3716 lm	
-B74-7		1 x 37.1W	4000K	1 x 5149lm	110-277V
-B74-8		1 x 37.1W	4000K	1 x 5149lm	

**-200 C
DIMENSIONS:**

A) Length - L: 7.87" (20 cm)
B) Height - H: 7.87" (20 cm)

LIGHT SOURCE:

CODE	BEAM ANGLE	WATTAGE	KELVINS	LUMENS	OPERATION RANGE
-B4464-1	44°	1 x 17 W	3000K	1 x 1930 lm	110-277V
-B4464-2	X	1 x 17 W	4000K	1 x 2116 lm	
	64°				
-B16-1	16°	1 x 17 W	3000K	1 x 1930 lm	110-277V
-B16-2		1 x 17 W	4000K	1 x 2116 lm	
-B36-1	36°	1 x 17 W	3000K	1 x 1930 lm	110-277V
-B36-2		1 x 17 W	4000K	1 x 2116 lm	
-B53-1	53°	1 x 17 W	3000K	1 x 1930 lm	110-277V
-B53-2		1 x 17 W	4000K	1 x 2116 lm	

THINK BOLLARD - THINK BULLARD

sales@gordonbullard.com
www.bullardbollards.com
1-877-964-4646



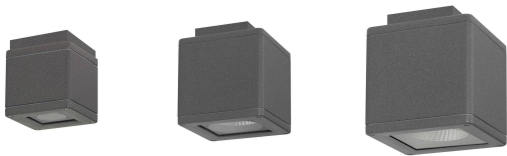
991 South Gull Lake Dr
Richland, MI 49083
USA



FIXTURE TYPE: _____

PROJECT NAME: _____

NOTES:



HOW TO ORDER:

CODE:

Example:
CODE: BB-1962.00CUBCL-GH-90-B14-1-
NON-AG

BB-1962.00CUBCL-GH-25-B20-1-
NON-AG

2 DIMMING OPTIONS:

- NON NON-Dimmable
- DIM 0-10V

3 FINISH OPTIONS:

STANDARD FINISHES

- AG Anthracite grey(matt)
- LG Light grey(matt)

CUSTOM REQUEST FINISHES

- WM White matt
- BR Bronze
- AGM Antique grey matt
- SM Sand matt
- BM Black matt
- CM Corten matt
- BLM Blue matt
- GM Green matt

4 ACCESSORIES:

- AC205-IP66
IP66 remote power supply box



THINK BOLLARD - THINK BULLARD

sales@gordonbullard.com
www.bullardbollards.com
1-877-964-4646



991 South Gull Lake Dr
Richland, MI 49083
USA