



**BULLARD
BOLLARDS**
Think Bollard Think Bullard

STAINLESS STEEL
BB-SSB-BL



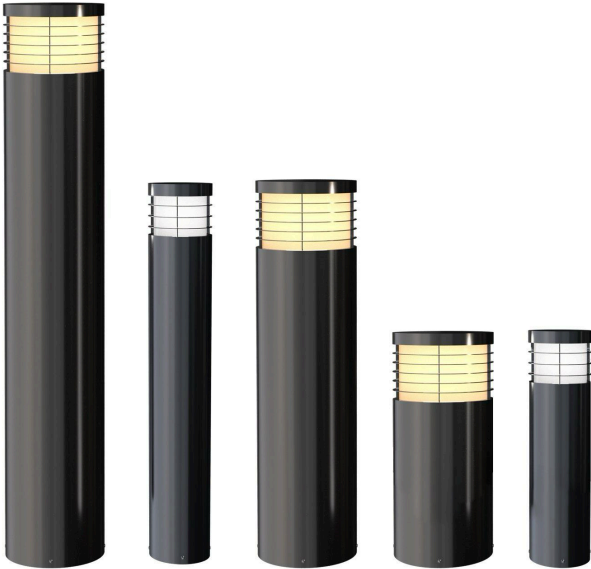


**BULLARD
BOLLARDS**
Think Bullard Think Bullard

**CODE:
BB-SSB-BL**

FIXTURE TYPE: _____

PROJECT NAME: _____



GENERAL INFORMATION:

The Stainless Steel bollard is a premium outdoor lighting solution designed for exceptional durability and architectural elegance. Constructed from high-grade 304 stainless steel and featuring precision-engineered acrylic diffusers, it delivers uniform, glare-free illumination with superior visual comfort. Available in four heights (8.27" [21 cm], 11.81" [30 cm], 23.62" [60 cm], and 35.43" [90 cm]) and two diameters (3.9" [10 cm] and 6.3" [16 cm]), this versatile luminaire offers multiple LED outputs, color temperatures (2700K, 3000K, 4000K), and dimming options to suit a wide range of outdoor applications. With an IP65 rating and an operating temperature range of -20°C to +45°C, the BB-SSB-BL Stainless Steel Bollard is engineered to perform reliably in demanding environments while complementing contemporary landscape and architectural designs.

FIXTURE TYPE:

Bollard

VOLTAGE:

110-277V



MATERIAL:

304 Stainless Steel + Acrylic

IP RATING:

IP 65



DRIVER POSITION:

Integral

WARRANTY:

LED lighting products are warranted for 5 years

APPLIANCE CLASS:

II



MAIN FEATURES:

- High visual comfort
- Wide range of finishes
- Functional design
- Minimal design
- Shock resistant
- Operating Temperature: -20°C~ +35°C

THINK BOLLARD - THINK BULLARD

sales@gordonbullard.com
www.bullardbollards.com
1-877-964-4646



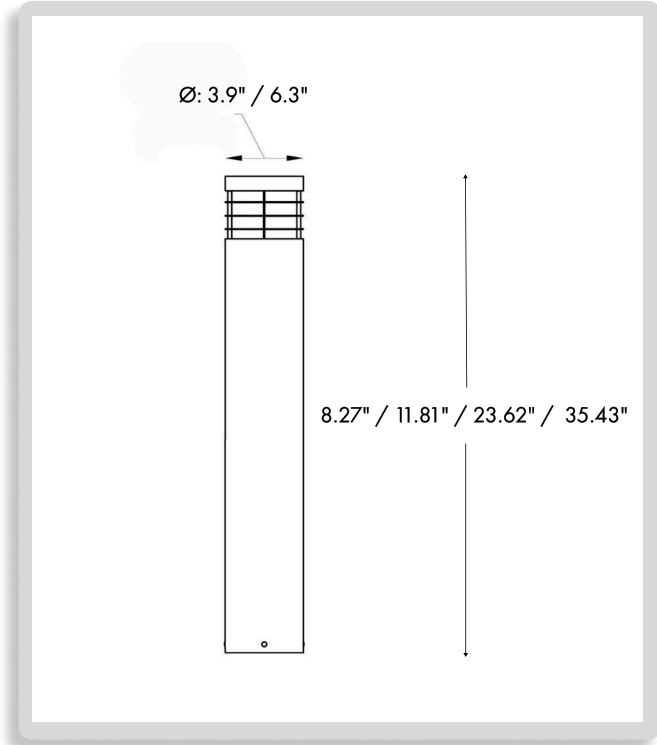
991 South Gull Lake Dr
Richland, MI 49083
USA



FIXTURE TYPE: _____

PROJECT NAME: _____

NOTES:



HOW TO ORDER:

CODE:

Example:
CODE: BB-SSB-BL-H2-D1-L3-K30-DIM-SS

BB-SSB-BL-H2-D1-L3-K30-DIM-SS

1 HEIGHT:

- H1 H: 8.27" (21 cm)
- H2 H: 11.81" (30 cm)
- H3 H: 23.62" (60 cm)
- H4 H: 35.43" (90 cm)

2 DIAMETER:

- D1 Ø: 3.9" (10 cm)
- D2 Ø: 6.3" (16 cm)

3 LIGHT SOURCE:

- L1 LED / 6 W / 396 lm / 110-277V
- L2 LED / 9 W / 580 lm / 110-277V
- L3 LED / 10 W / 590 lm / 110-277V
- L4 LED / 15 W / 880 lm / 110-277V
- L5 LED / 20 W / 1280 lm / 110-277V

4 CCT:

- K27 2700K
- K30 3000K
- K40 4000K

5 DIMMING OPTIONS:

- NON NON-Dimmable
- DIM 0-10V
- CAS Casambi
- LUT Lutron
- DAL Dali

6 FINISH OPTIONS:

- SS Stainless Steel
- CUS Custom on request*

THINK BOLLARD - THINK BULLARD

sales@gordonbullard.com
www.bullardbollards.com
1-877-964-4646



991 South Gull Lake Dr
Richland, MI 49083
USA