



**BULLARD
BOLLARDS**
Think Bollard Think Bullard

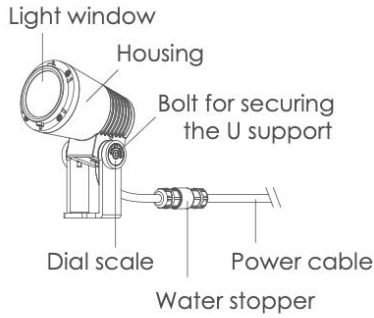
INSTALLATION INSTRUCTION
01/28/2026

SARIN



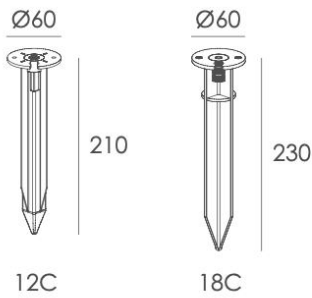
Exterior details

Luminaire

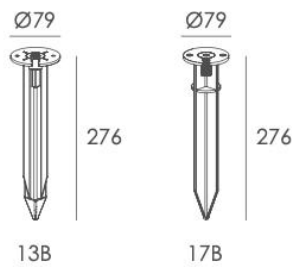


Optional accessories

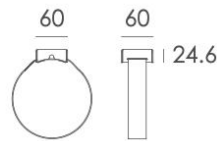
Spike



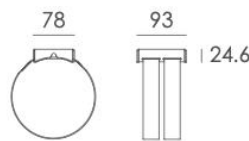
Spike



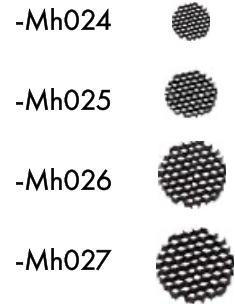
Tree pole strap



Tree pole strap



Honeycomb Louver



Bevel cut hood

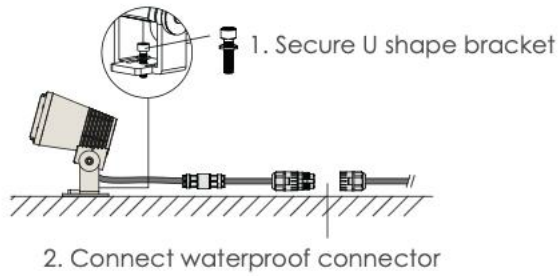


Data Sheet:

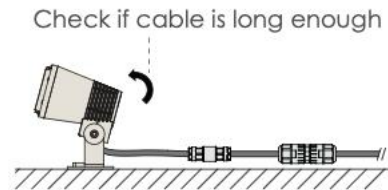
Input Voltage (V): 110-277
 IK: 05

Installation steps

Step 1

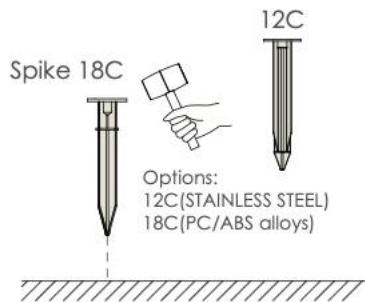


Step 2

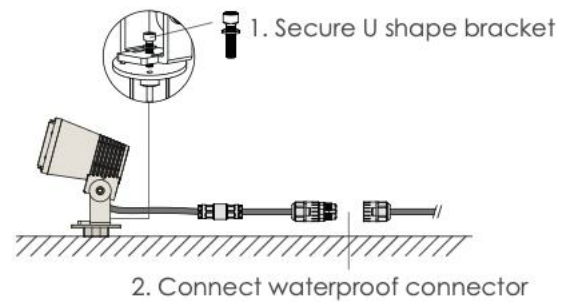


Accessories assemble - Spike

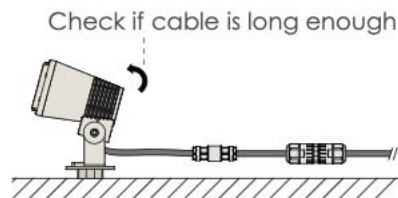
Step 1



Step 2

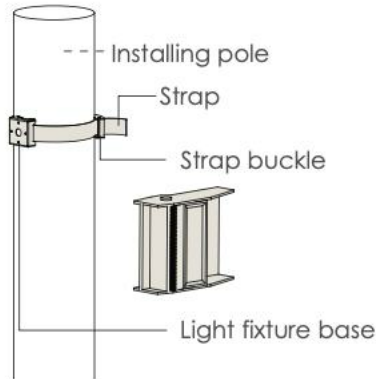


Step 3

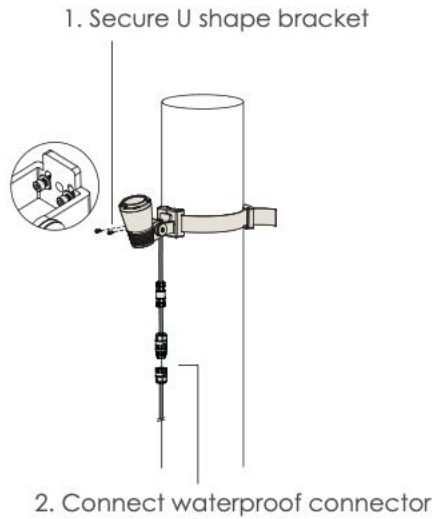


Accessories assemble - Tree pole strap

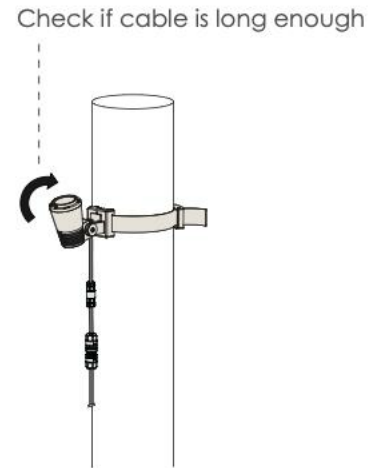
Step 1



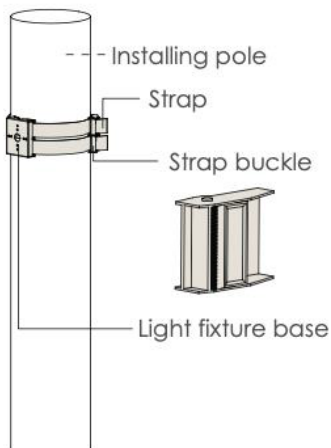
Step 2



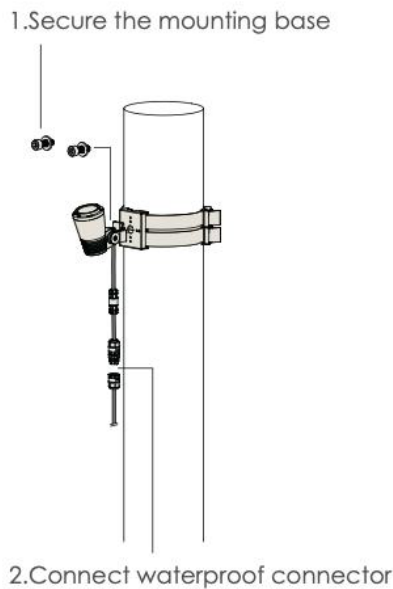
Step 3



Step 1



Step 2



Step 3



Accessories assemble - Bevel cut hood

