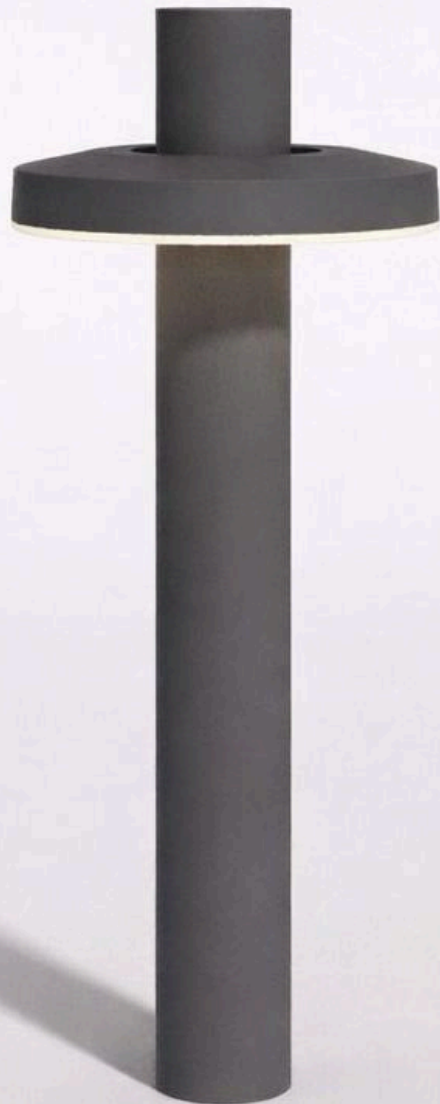




**BULLARD  
BOLLARDS**  
Think Bollard Think Bullard

**DISC OPTIC**  
**BB-DIS-BL**





FIXTURE TYPE: \_\_\_\_\_

PROJECT NAME: \_\_\_\_\_



**GENERAL INFORMATION:**

A simple ring with an extraordinary design complexity. Disc is the perfect blend of design and innovation. This family of products consists of bollards of various heights and a lamp post head in two diameters. The light engine comes in two different types, with and without a visible edge, depending on whether it is used in private or public spaces. The design comprises a metal disc that intersects with the central structure by means of three spokes, which allow the sky to be glimpsed in between. The thin line of light along the edges, resulting from advanced research into aesthetics, illuminates the space subtly and comfortably, adding a distinctive touch of timeless style.

**FIXTURE TYPE:**

Bollard

**VOLTAGE:**

110-277V



**MATERIAL:**

Die-cast aluminium

**IP RATING:**

IP 65



**LENS:**

Asymmetrical lens to ensure correct illumination and increase interdistance

**WARRANTY:**

LED lighting products are warranted for 5 years.

**APPLIANCE CLASS:**

II



**MAIN FEATURES:**

- High visual comfort
- Wide range of finishes
- Functional design
- Minimal design
- Shock resistant
- Operating Temperature: -40° ~ +60°



**THINK BOLLARD - THINK BULLARD**

sales@gordonbullard.com  
www.bullardbollards.com  
1-877-964-4646

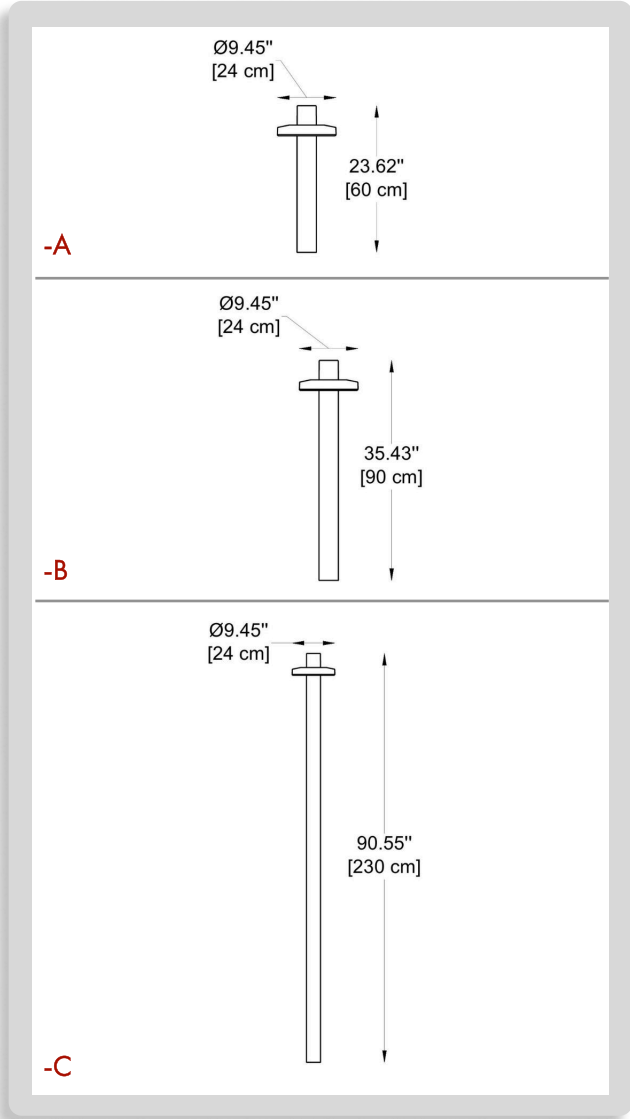


991 South Gull Lake Dr  
Richland, MI 49083  
USA



FIXTURE TYPE: \_\_\_\_\_

PROJECT NAME: \_\_\_\_\_



**HOW TO ORDER:**

**CODE:**

Example:  
CODE: BB-DIS-BL-A-K27-GH-DL

BB-DIS-BL-A-K27-GH-DL

**1 MODEL**

**-A**

**DIMENSIONS:**

A) Diameter - Ø: 9.45" (24 cm)  
B) Height - H: 23.62" (60 cm)

**LIGHT SOURCE:**

LED / 9W / 1117 lm = 4000K / CRI 80

**-B**

**DIMENSIONS:**

A) Diameter - Ø: 9.45" (24 cm)  
B) Length - H: 35.43" (90 cm)

**LIGHT SOURCE:**

LED / 9W / 1117 lm = 4000K / CRI 80

**-C**

**DIMENSIONS:**

A) Diameter - Ø: 9.45" (24 cm)  
B) Length - H: 90.55" (230 cm)

**LIGHT SOURCE:**

LED / 17W / 2094 lm = 4000K / CRI 80

**2 CCT:**

**-K22** 2200K  
**-K27** 2700K  
**-K30** 3000K

**3 FINISH OPTIONS:**

**-GR** Embossed aluminium Grey ●  
**-GH** Embossed graphite ●

**THINK BOLLARD - THINK BULLARD**

sales@gordonbullard.com  
www.bullardbollards.com  
1-877-964-4646

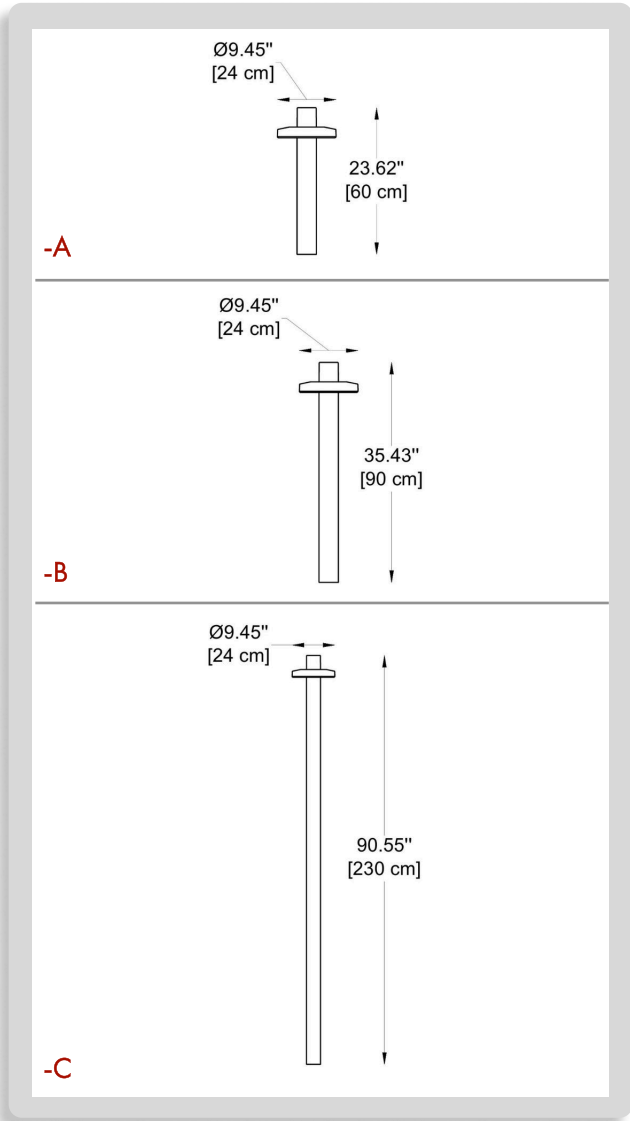


991 South Gull Lake Dr  
Richland, MI 49083  
USA



FIXTURE TYPE: \_\_\_\_\_

PROJECT NAME: \_\_\_\_\_



**HOW TO ORDER:**

**CODE:**

Example:  
CODE: BB-DIS-BL-A-K27-GH-DL

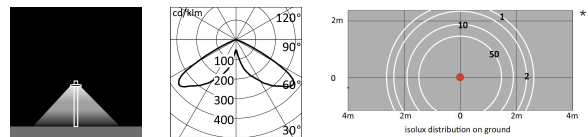
BB-DIS-BL-A-K27-GH-DL

**4 DIMMING OPTIONS:**

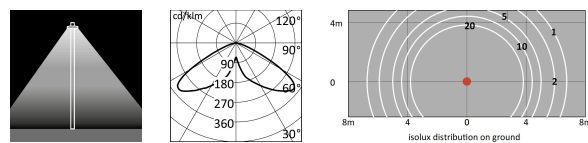
- NON NON-Dimmable
- DIM 0-10V
- CAS Casambi
- LUT Lutron
- DL DALI

**5 PHOTOMETRICS:**

**OPTIC / -B model**



**OPTIC / -C model**



**THINK BOLLARD - THINK BULLARD**

sales@gordonbullard.com  
www.bullardbollards.com  
1-877-964-4646



991 South Gull Lake Dr  
Richland, MI 49083  
USA