



**BULLARD  
BOLLARDS**  
Think Bollard Think Bullard

**FLEX 360 R25 IP**  
**BB-FLX360R25IP-CL**





FIXTURE TYPE: \_\_\_\_\_

PROJECT NAME: \_\_\_\_\_



**GENERAL INFORMATION:**

The FLEX 360 Collection is a premium round-profile LED neon flex delivering true 360° omnidirectional illumination. Engineered with advanced silicone extrusion technology, it provides seamless, dot-free light output with consistent brightness from every viewing angle. The flexible construction allows smooth bending and shaping, making it ideal for creative architectural outlines, feature lighting, and decorative installations where uniform circular light distribution is required. Designed for both indoor and outdoor applications, the FLEX 360 series features durable, UV-resistant silicone housing with high ingress protection ratings for long-term reliability. Available in multiple diameters and white light color temperatures, including 2300K, 2700K, 3000K, and 4000K. The system is supplied in fixed lengths with no field cutting allowed, ensuring consistent electrical performance, and is compatible with standard LED drivers.

**FIXTURE TYPE:**

360 LED Neon Flexible

**MATERIAL:**

High Purity Silica Gel

**IP RATING:**

IP67

IP67

**IK RATING:**

IK08

IK08

**WARRANTY:**

LED lighting products are warranted for 5 years.

**DRIVER POSITION:**

Remote

**MAIN FEATURES:**

Functional and minimalistic design  
Skin-friendly surface treatment  
Operating Temperature: -13°F to +131°F.

**THINK BOLLARD - THINK BULLARD**

sales@gordonbullard.com  
www.bullardbollards.com  
1-877-964-4646

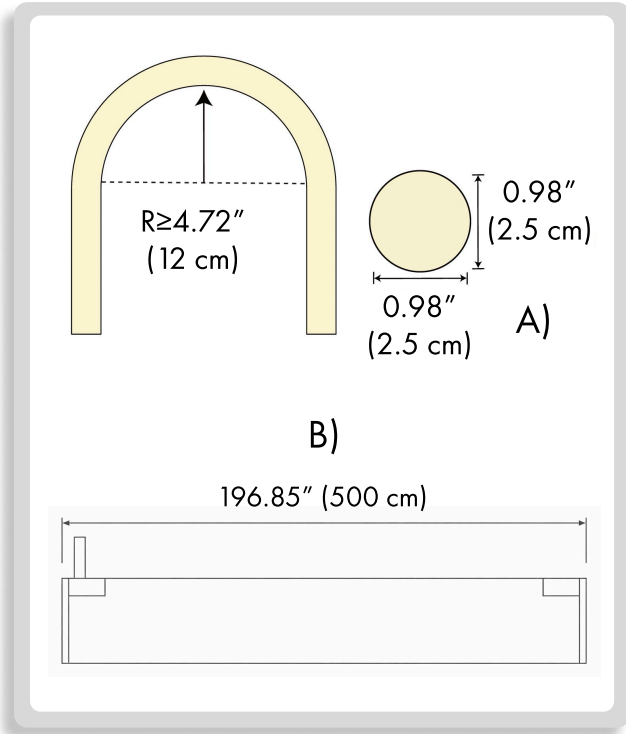


991 South Gull Lake Dr  
Richland, MI 49083  
USA



FIXTURE TYPE: \_\_\_\_\_

PROJECT NAME: \_\_\_\_\_



**HOW TO ORDER:**

**CODE:**

**Example:**  
CODE: BB-FLX360R25IP-CL-LS1-ECT-AS-  
NNR25P1-25-402-02-000000-00013

BB-FLX360R25IP-CL-  
LS1-ECT-AS-  
NNR25P1-25-402-  
02-000000-00013

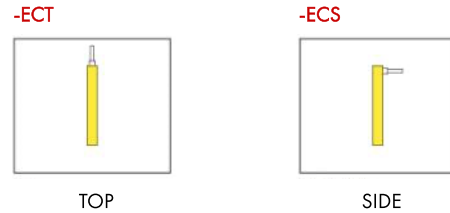
**1 DIMENSIONS:**

A) Diameter - Ø: 0.98" (2.5 cm)  
B) Length - L: 196.85" (500 cm)

**2 LIGHT SOURCE:**

CODE	INPUT VOLTAGE	CCT	RATED POWER	CRI	LUMENS	CUTTING
-LS1	24VDC	2300 K	13.7W (4.18W/ft)	90	560 (171/ft)	No cutting 28LED/1.31"
-LS2		2700 K			605 (184/ft)	
-LS3		3000 K			640 (195/ft)	
-LS4		4000 K			690 (210/ft)	

**3 ENTRY CABLE:**



**4 ACCESSORIES:**


**-AS-NNR25P1-25**  
R25 ceiling fixed installation components



**-AS-NNR25LCX-1000**  
Horizontal ceiling  
Installation components



**-AS-NNR25GH0-EC**  
R25 Hole Diameter 4.5mm top cap



**THINK BOLLARD - THINK BULLARD**

sales@gordonbullard.com  
www.bullardbollards.com  
1-877-964-4646



991 South Gull Lake Dr  
Richland, MI 49083  
USA



FIXTURE TYPE: \_\_\_\_\_

PROJECT NAME: \_\_\_\_\_

**HOW TO ORDER:**

**CODE:**

Example:  
CODE: BB-FLX360R25IP-CL-LS1-ECT-AS-  
NNR25P1-25-402-02-000000-00013

BB-FLX360R25IP-CL-  
LS1-ECT-AS-  
NNR25P1-25-402-  
02-000000-00013

**4 ACCESSORIES:**

- AS-FC-0009 (0.25m)
- AS-FC-0010 (0.5m)
- AS-FC-0011 (2m)



2P DC wire (Male)

- AS-FC-0012 (0.25m)
- AS-FC-0013 (0.5m)
- AS-FC-0014 (2m)



2P DC wire (Female)

- AS-FC-0027



2P T-Connection Wire

- AS-FC-0015 (0.25M)
- AS-FC-0016 (0.5M)
- AS-FC-0017 (2M)



4P DC wire (Male)

- AS-FC-0018 (0.25M)
- AS-FC-0019 (0.5M)
- AS-FC-0020 (2M)



4P DC wire (Female)

- AS-FC-0028



4P T-Connection Wire

- AS-FC-0021 (0.25m)
- AS-FC-0022 (0.5m)
- AS-FC-0023 (2m)



5P DC wire (Male)

- AS-FC-0024 (0.25m)
- AS-FC-0025 (0.5m)
- AS-FC-0026 (2m)



5P DC wire (Female)

- AS-FC-0030



5P T-Connection Wire

**5 SYSTEM CONTROL:**

- 402-02-000000-00001

Monochrome Remote Control  
R6-1  
Operating voltage: 3VDC(Battery CR2032)  
Operating frequency: 2.4GHz  
Remote control distance: 30m  
Operating temperature: -30°C-55°C  
Size:L107\*W58.5\*H9(mm)



**THINK BOLLARD - THINK BULLARD**

sales@gordonbullard.com  
www.bullardbollards.com  
1-877-964-4646



991 South Gull Lake Dr  
Richland, MI 49083  
USA

FIXTURE TYPE: \_\_\_\_\_

PROJECT NAME: \_\_\_\_\_

**HOW TO ORDER:**

**CODE:**

**Example:**  
CODE: BB-FLX360R25IP-CL-LS1-ECT-AS-  
NNR25P1-25-402-02-000000-00013

BB-FLX360R25IP-CL-  
LS1-ECT-AS-  
NNR25P1-25-402-  
02-000000-00013

**5 SYSTEM CONTROL:**

**-402-0-000000-00013**

Knob panel controller used for dimming to warm  
CP1-GBB  
Input voltage: 12-24VDC  
Input current: 6A\*1CH  
Operating temperature: -30°C-55°C  
Size: L86\*W86\*H33(mm)



**-402-02-000000-00013**

Monochrome Control Receiver  
CR1-GBA  
Input voltage: 12-48VDC  
Maximum load current: 15A\*1CH, Max15A@12/24V  
10A\*1CH, Max10A@36/48V  
Maximum load power: 15A\*1CH, Max15A@12/24V  
10A\*1CH, Max10A@36/48V  
Operating temperature: -30°C-55°C  
Size: L175\*W45\*H27(mm)



**-402-02-000000-00003**

RGB/RGBW Remote Control  
R8-1  
Operating voltage: 3VDC (Battery CR2032)  
Operating frequency: 2.4GHz  
Remote control distance: 30m  
Operating temperature: -30°C-55°C  
Product Size: L107\*W58.5\*H9(mm)



**-402-01-000000-00003**

RGB Control Receiver  
CR3-GBA  
Input voltage: 12-48VDC  
Maximum load current: 6A\*3CH, Max 18A  
Maximum load power: 216W/432W@12V/24V  
648W/864@36V/48V  
Operating temperature: -30°C-55°C  
Size: L175\*W45\*H27(mm)



**-23-01-00-0050**

Programmable digital controller  
K-8000C  
Operating temperature: -20°C-85°C  
Operating power supply: DC5V-24V input  
Power consumption: 5W  
Data transfer ports: 8 (8\*1024 pixel)  
Weight: 0.8 kg  
Size: L180\*W120\*H30mm  
Memory card: SD card  
Storage capacity: 128MB-32GB  
Card format: FAT/FAT32  
Storage file: \*.led



**THINK BOLLARD - THINK BULLARD**

sales@gordonbullard.com  
www.bullardbollards.com  
1-877-964-4646



991 South Gull Lake Dr  
Richland, MI 49083  
USA