



**BULLARD  
BOLLARDS**  
Think Bollard Think Bullard

# TINY Inground Luminaire - Compact/Mini





FIXTURE TYPE: \_\_\_\_\_

PROJECT NAME: \_\_\_\_\_



**GENERAL INFORMATION:**

Tiny is a versatile LED inground light that offers precision illumination with energy-efficient operation and impressive luminance. Tiny enhances outdoor spaces effortlessly and supports dimming options, allowing you to tailor brightness levels to your preferences. Experience superior lighting versatility with Tiny.

**FIXTURE TYPE:**

Inground Luminaires - Compact/Mini

**LIGHTING:**

LED LED

**VOLTAGE:**

110-277V

**MATERIAL:**

6063# powder coated aluminium

**CRI:**

80

**IP RATING:**

IP 67 IP67

**IK RATING:**

IK 06 / 07

sales@gordonbullard.com  
www.bullardbollards.com  
1-877-964-4646



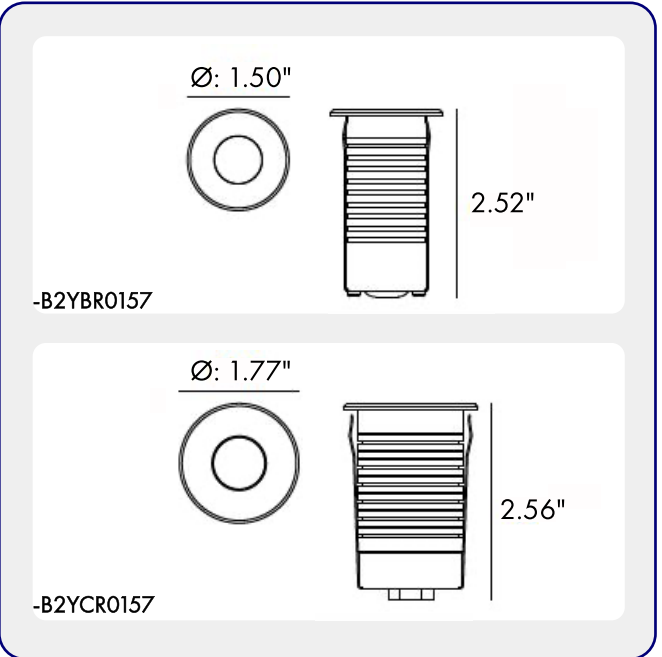
991 South Gull Lake Dr  
Richland, MI 49083  
USA



FIXTURE TYPE: \_\_\_\_\_

PROJECT NAME: \_\_\_\_\_

NOTES:



**HOW TO ORDER:**

**CODE:**

Example:  
CODE: BB-TN-KPG-IL-XXX-XXX-XXX-XXX-XXX-XXX

BB-TN-KPG-IL-B2YBR0157-  
K30-B15-10-DIM-

**1 MODELS:**

CODE -B2YBR0157

DIMENSIONS:

Diameter - Ø: 1.50" (3.8 cm)  
Height - H: 2.52" (6.4 cm)

LIGHT SOURCE:

LED / 1 x 1.5W / 88 mA / 145 lm / IK 06 / 110-277V

CODE -B2YCR0157

DIMENSIONS:

Diameter - Ø: 1.77" (4.5 cm)  
Height - H: 2.56" (6.5 cm)

LIGHT SOURCE:

LED / 1 x 2W / 110 mA / 147 lm / IK 07 / 110-277V

**2 CCT OPTIONS:**

-K30 3000K  
-CUS Custom on request\*

**3 BEAM ANGLE:**

-B15-10	10°	available only for -Ø: 1.77" size	
-B15-15	15°		
-B15-20	20°		-B26-8 8°
-B15-30	30°		-B26-13 13°
-B15-10x33	10°x 33°		

**4 DIMMING OPTIONS:**

-DIM 1-10V  
-PWM Pulse Width Modulation  
-DALI DALI (Digital Addressable Lighting Interface)

sales@gordonbullard.com  
www.bullardbollards.com  
1-877-964-4646



991 South Gull Lake Dr  
Richland, MI 49083  
USA

FIXTURE TYPE: \_\_\_\_\_

PROJECT NAME: \_\_\_\_\_

NOTES:



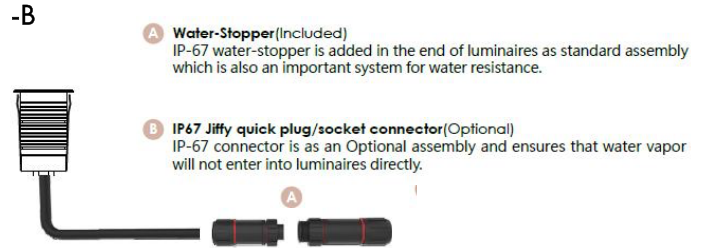
**HOW TO ORDER:**

**CODE:**

Example:  
CODE: BB-TN-KPG-IL-XXX-XXX-XXX-XXX-XXX-XXX

BB-TN-KPG-IL-B2YBR0157-K30-B15-10-DIM-

**5 WATER PROOF SOLUTION: (optional)**



**6 ACCESSORIES:**

SLEEVE (OPTION 1)

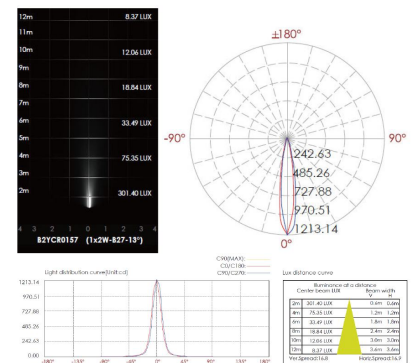
SLEEVE (OPTION 2)



-A04    -Ø: 1.50"  
-A05    -Ø: 1.77"

-183#    -Ø: 1.50"  
-182#    -Ø: 1.77"

**7 PHOTOMETRIC INFO:**



sales@gordonbullard.com  
www.bullardbollards.com  
1-877-964-4646



991 South Gull Lake Dr  
Richland, MI 49083  
USA