



**BULLARD
BOLLARDS**
Think Bollard Think Bullard

THE SNAPE

INSTALLATION TYPE:
PARK/URBAN/
GARDEN POLE
LUMINAIRES

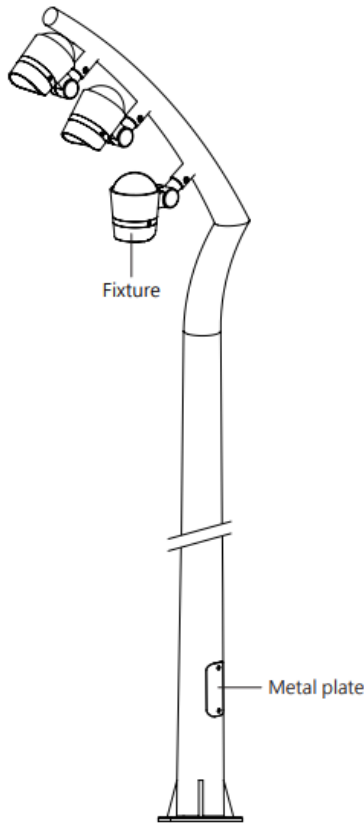


B0BRQ0326

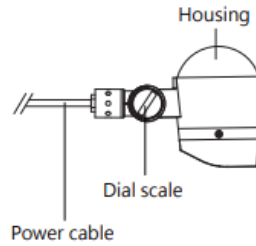
Garden Pole Light

1. Exterior details

1.1 Pole



1.2 Luminaire - B0BRY0126



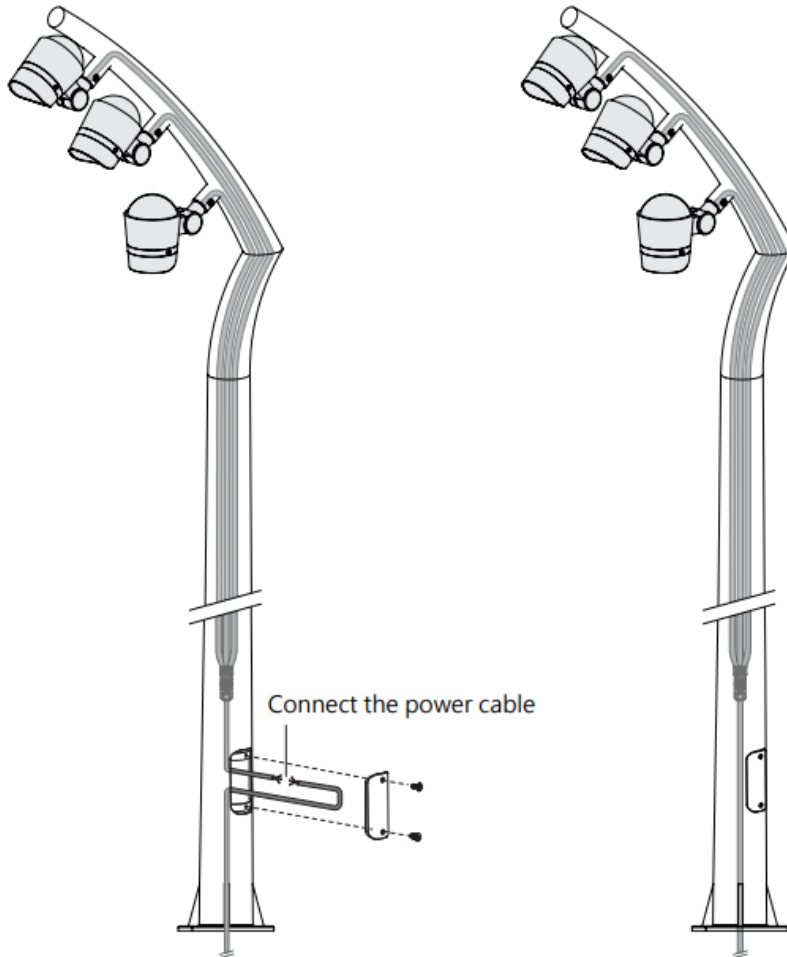
2. Datasheet

Housing:	12# Die-casting aluminum finishing or powder painting T=60-80µm. Adhesion of ISO class 1/ASTM class 4B
Light Window:	Tempered Glass.T=3mm
Gasket:	Tooling shaped seal
LED Driver:	Constant Voltage Input, Constant Current Output
Power Cable:	H05RN-F 3x1.0mm ²
Operating Restrict:	Temperature of environment between -20°C~40°C

Light Source: 3×7W
Beam Angle: 24°
Input Voltage(v): 240
Operating Current(mA): 120
Consumption(w): 25.8
Luminance(lm): 2202
IK: 07

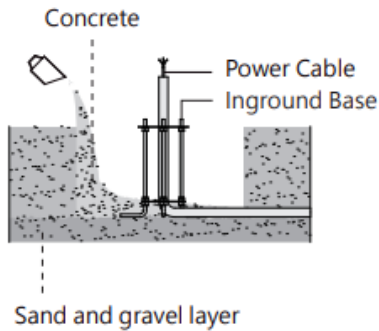
3.Installation

Step 1

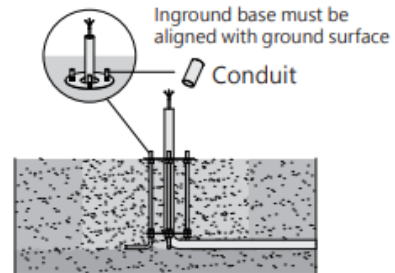


Step 2

2-1 Place the base on the installation surface and pass the conduit containing the reserved power cable through the base



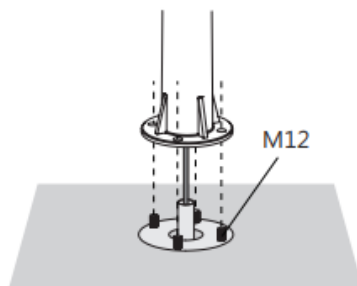
2-2 Pour in cement until it is level with the upper layer of the base



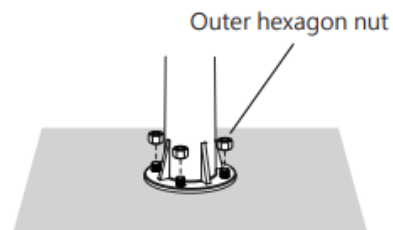
※ Please cover the scre with conduit to protect it from cement

Step 3

3-1 Mount pole on to the screws of inground base



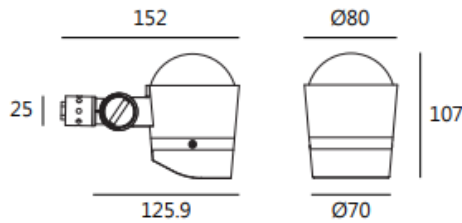
3-2 Use outer hexagon nuts to secure the pole to complete installations



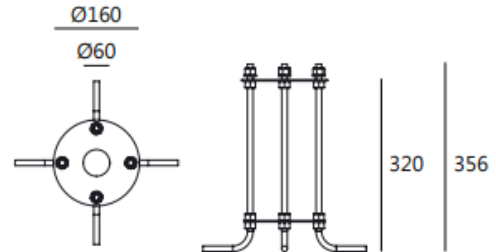
4. Appendix

4.1 External dimension(mm)

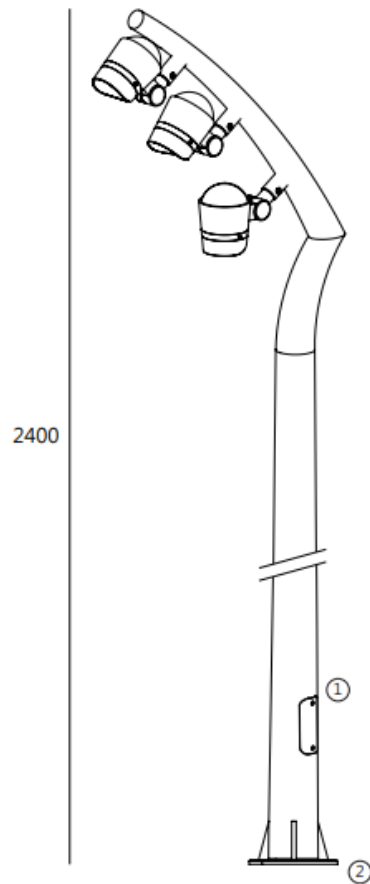
Luminaire - B0BRY0126



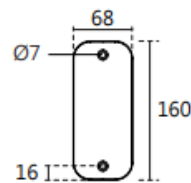
Inground Base (Option)



Pole



① Metal plate



② Flange

