



**BULLARD
BOLLARDS**
Think Bollard Think Bullard

MOON (ILLUMINATED FURNITURE)





FIXTURE TYPE: _____

PROJECT NAME: _____

NOTES:



GENERAL INFORMATION:

The Moon by Bullard Bollards is a luminous, sculptural seating element designed to bring both functionality and ambiance to indoor and outdoor spaces. Crafted from durable polyethylene using rotational molding, this piece offers a soft, diffused glow that enhances its surroundings. Its minimalist, spherical design makes it a versatile addition to various settings, serving as both a seat and a decorative light source. Equipped with an internal lighting system compatible with a 15W E26 bulb (not included), the Moon provides gentle illumination suitable for lounges, terraces, or event spaces. Its weather-resistant construction ensures durability, making it an ideal choice for both residential and commercial environments.

FIXTURE TYPE:

Illuminated Furniture

VOLTAGE:

110-277V

MATERIAL:

Polyethylene

IP RATING:

IP 55

FINISH OPTION:

Light white

WARRANTY:

Lighting products are warranted for 5 years.

APPLIANCE CLASS:

II

LOCATION:

Outdoor

THINK BOLLARD - THINK BULLARD

sales@gordonbullard.com
 www.bullardbollards.com
 1-877-964-4646



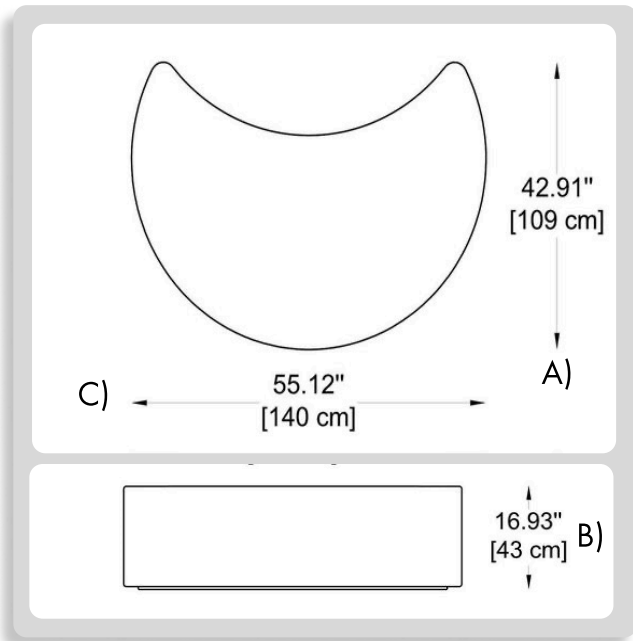
991 South Gull Lake Dr
 Richland, MI 49083
 USA



FIXTURE TYPE: _____

PROJECT NAME: _____

NOTES:



HOW TO ORDER:

CODE:

Example: CODE: BB-SDMO-SD	BB-SDMO-SD
--------------------------------------	-------------------

1 DIMENSIONS:

A) Length - L: 42,91" (109 cm)
 B) Height - H: 16,93" (43 cm)
 C) Width - W: 55,12" (140 cm)

2 LIGHT SOURCE:

E26 / 2 x max. 15W / 110-277V

4 FINISH OPTION:

Light white

5 WIRING:

Black cable (Length: 10 ft)

6 WEIGHT:

59,5 lb

THINK BOLLARD - THINK BULLARD

sales@gordonbullard.com
 www.bullardbollards.com
 1-877-964-4646



991 South Gull Lake Dr
 Richland, MI 49083
 USA