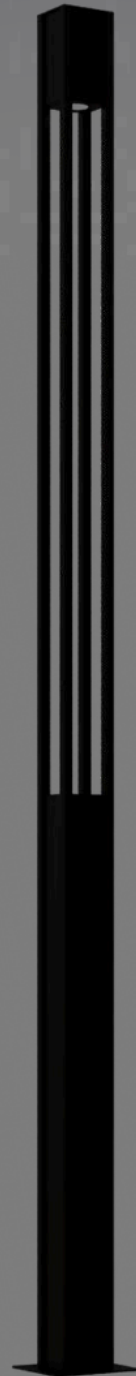


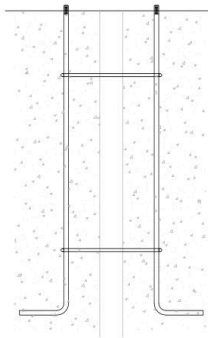


**BULLARD
BOLLARDS**
Think Bollard Think Bullard

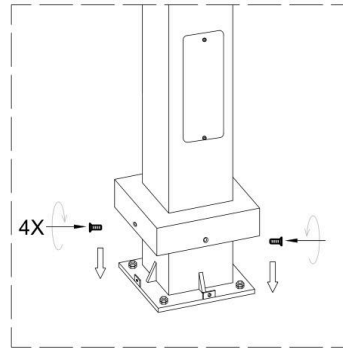
TANGO COLUMN

INSTALLATION TYPE:
ANCHER-MOUNT

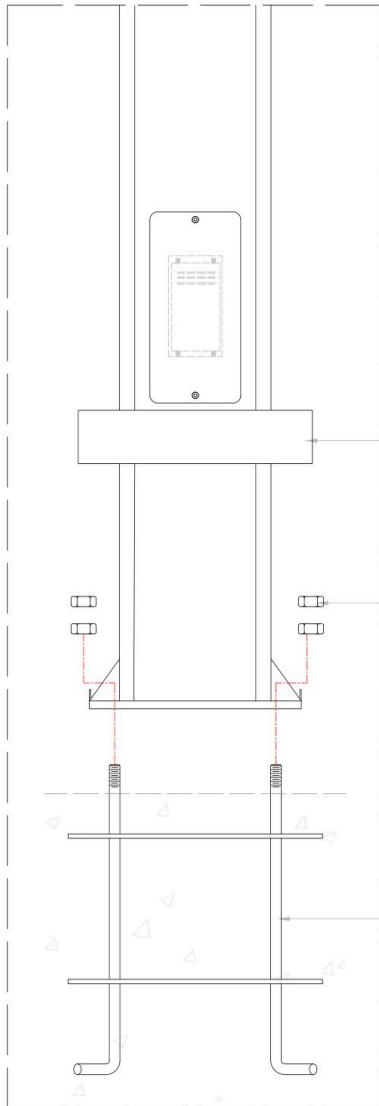




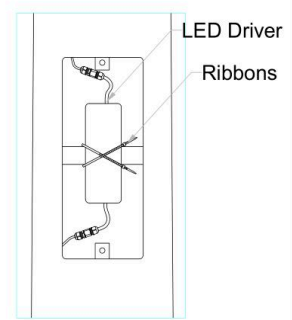
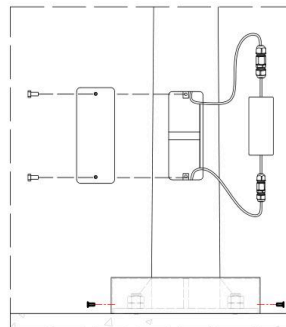
1. Fix the embedded parts to the installation position.



3. Fixed flange cover.



2. Install the lamp body onto the embedded parts as shown in the picture.



4. Connect the driver and secure it in the access port with ribbons.

