

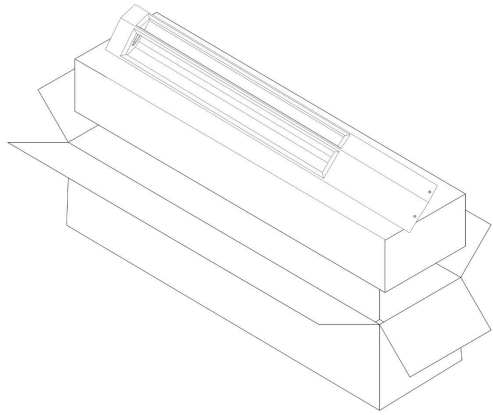


**BULLARD  
BOLLARDS**  
Think Bollard Think Bullard

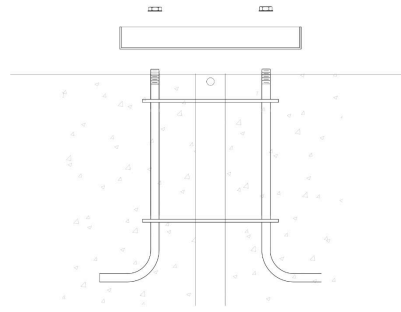
# TANGO SOLO BOLLARD

INSTALLATION TYPE:  
ANCHER-MOUNT

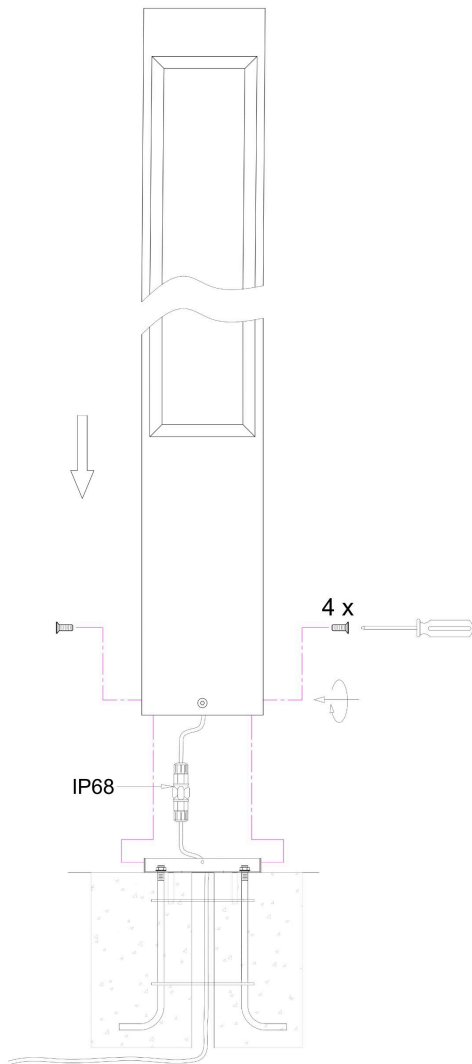




1. Take out the lamps and find the corresponding accessories.



2. Install the base plate onto the anchor kit.



3. Connect the wires as shown in the diagram and install the light body onto the base plate.

