

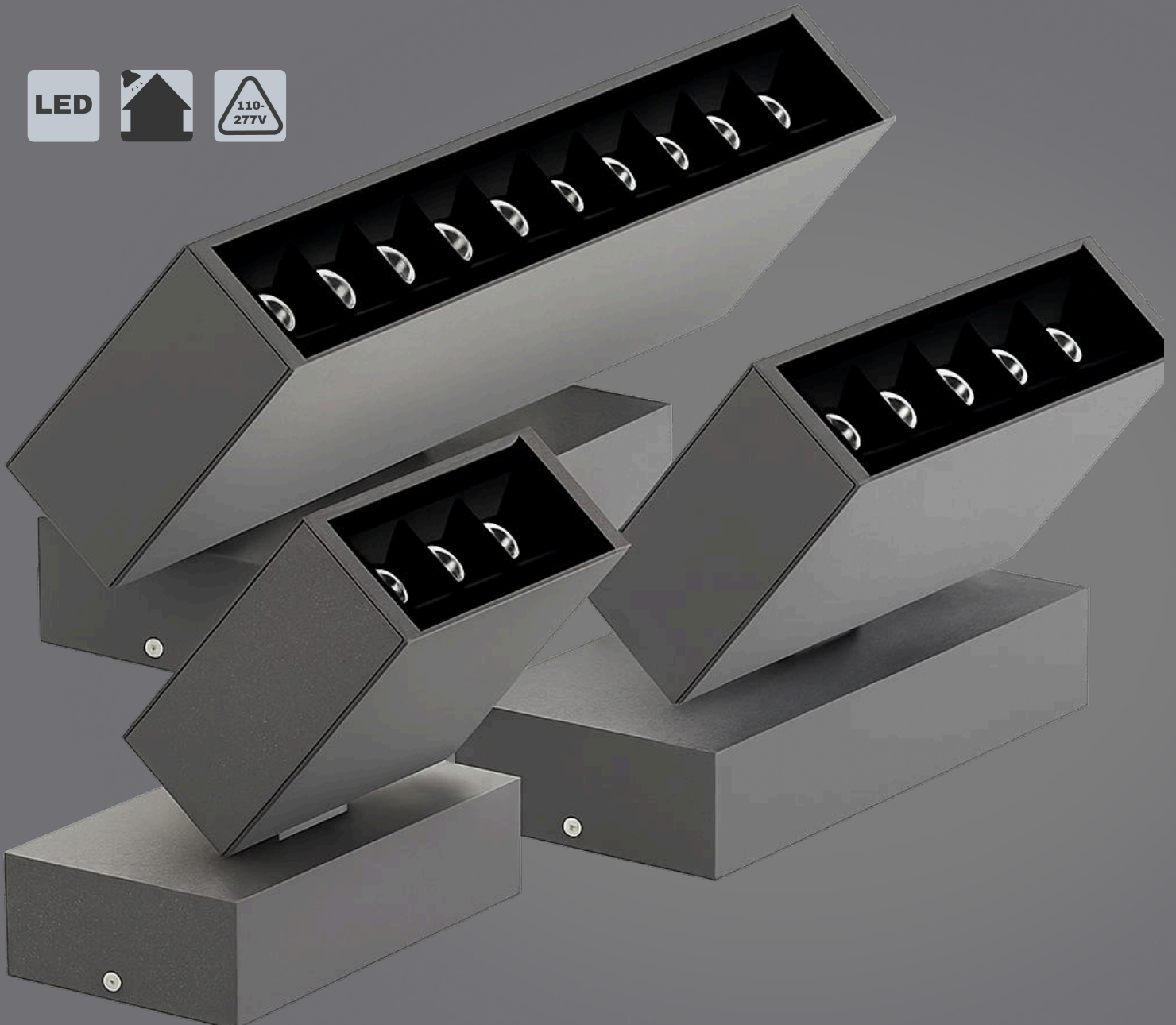


**BULLARD
BOLLARDS**
Think Bollard Think Bullard

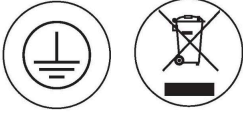
INSTALLATION INSTRUCTION

PRIME SPOT

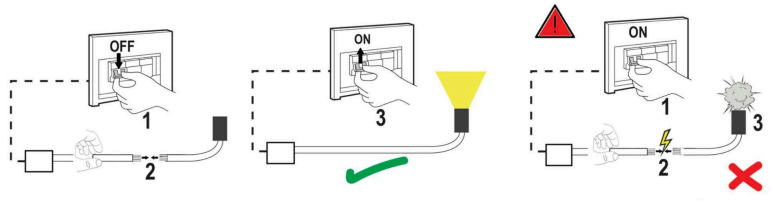
INSTALLATION TYPE:
SPOT



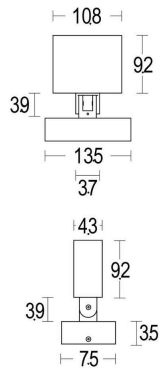
01/25/2026



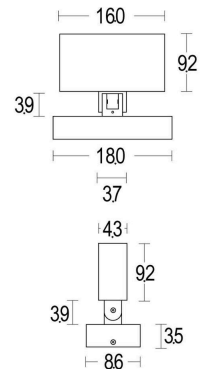
Switch-off the power supply



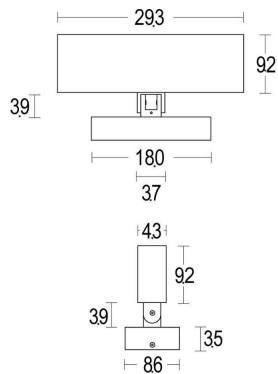
PRIME SPOT 100

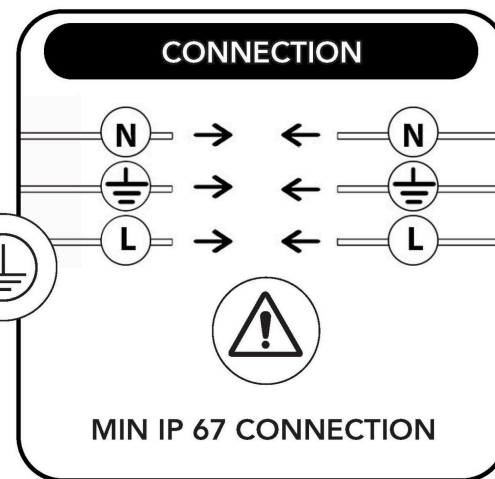
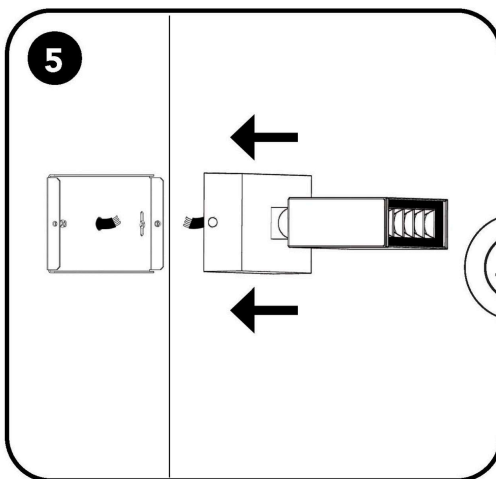
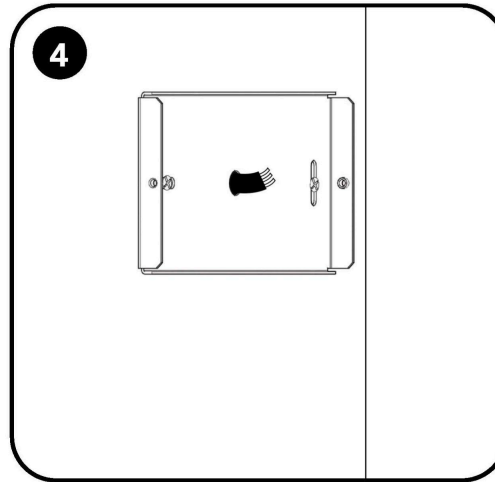
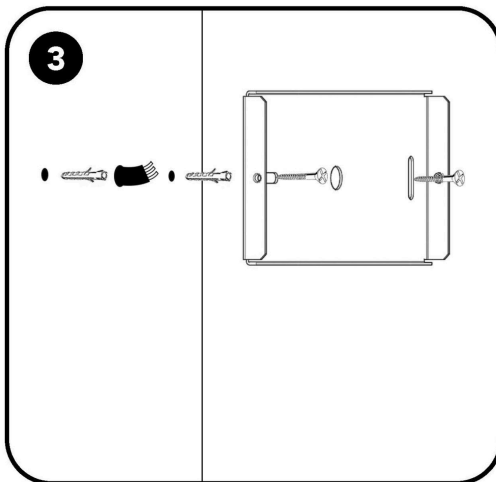
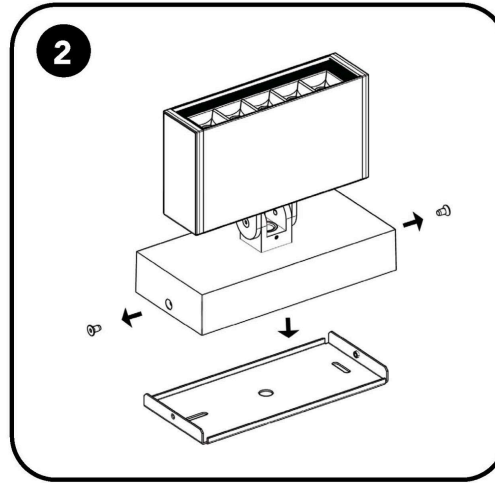
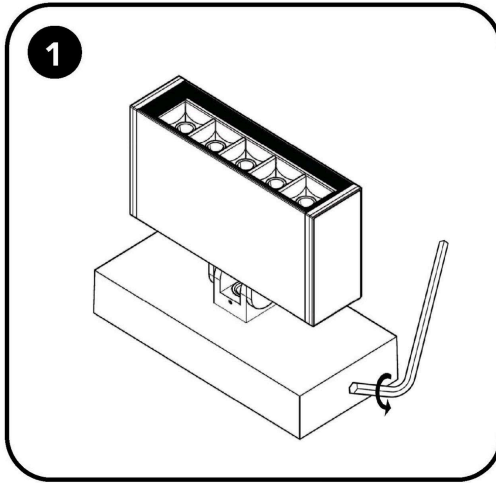


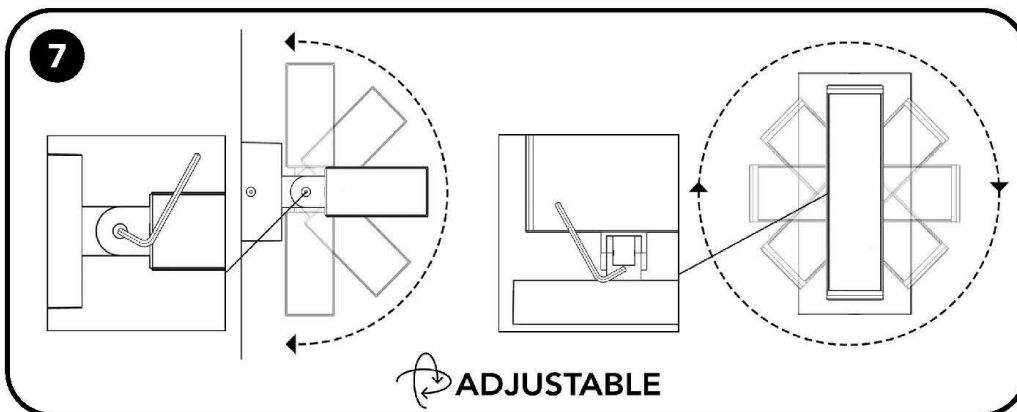
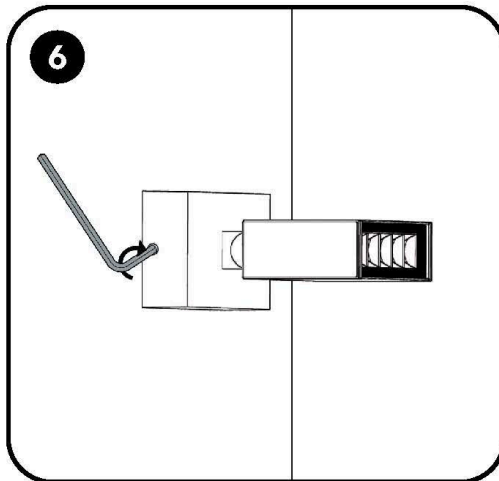
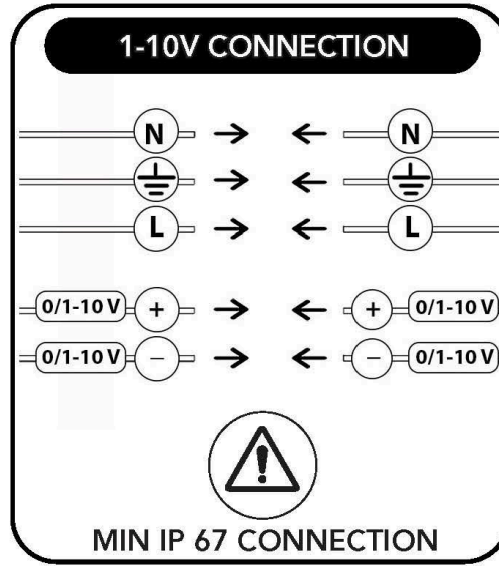
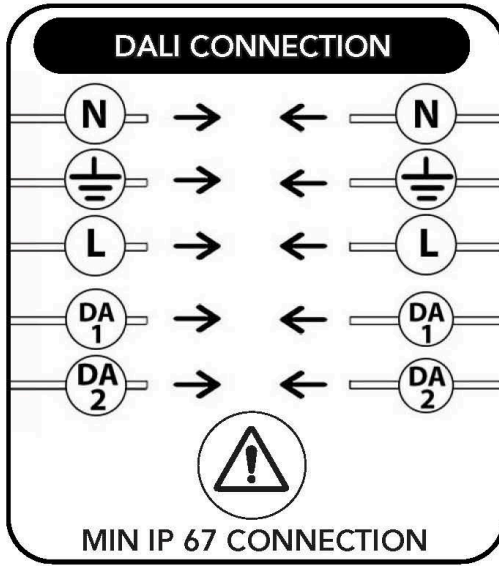
PRIME SPOT 150

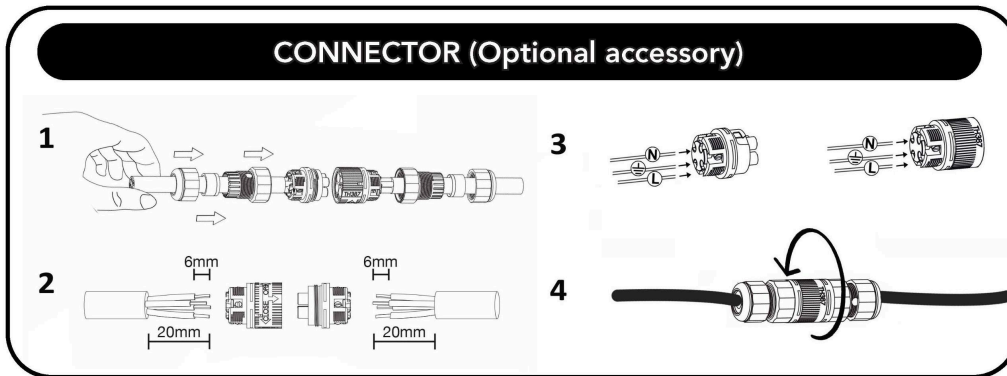


PRIME SPOT 300









(EN) WARNING:

- The safety of this fixture is guaranteed only if you comply with these instructions; remember to keep in a safe place.
- The appliance must not be tampered with or transformed and it must be installed and used as supplied and in compliance with the national rules on installations.
- Switch-off the power supply before carrying out any maintenance operations. hot plug-in is not allowed and may cause damage to the luminaire.
- The light source contained in this luminaire shall be replaced only by the manufacturer or his service agent.
- Installation and service must be performed by qualified service personnel.
- Use the unit only complete with diffuser.
- Any non-compliant installations will invalidate all forms of guarantee.