



**BULLARD  
BOLLARDS**  
Think Bollard Think Bullard

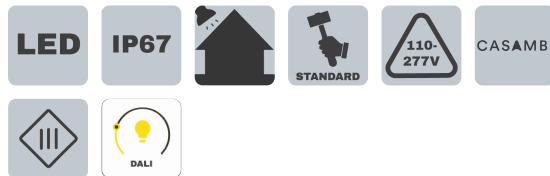
# BUNNY LINE 1200 (INGROUND LUMINAIRES)



FIXTURE TYPE: \_\_\_\_\_

PROJECT NAME: \_\_\_\_\_

NOTES:



**GENERAL INFORMATION:**

The Bunny Line 1200 is a sleek and powerful linear inground LED luminaire designed for architectural façade and structural lighting applications. Manufactured from extruded aluminum EN AW-6060 T5 with die-cast aluminum components and protected by an 8 mm tempered glass diffuser, it provides exceptional durability and corrosion resistance, supported by an IP67 rating for reliable outdoor performance. Available with medium flood and asymmetric beam distributions, it delivers precise, uniform illumination ideal for wall washing and accentuating large surfaces. Operating on 24V DC with a remote driver configuration and offering dimming options including Non-dimmable, 0–10V, Casambi, and DALI, the Bunny Line 1200 combines high visual comfort, minimalist design, and dependable long-term performance, backed by a 5-year warranty.

**LIGHTING:**

LED

**LED**

**VOLTAGE:**

110-277V



**GASKETS:**

Silicone gaskets

**FIXTURE TYPE:**

Inground Luminaires

**MATERIAL:**

Extruded aluminum EN AW-6060 T5 high resistance to oxidation,  
Die-cast aluminum EN AB 44100 highly resistant to oxidation

**EXTERNAL SCREWS:**

Stainless steel A4-70 treated with highly antioxidant water-repellent lubricating solution

**DIFFUSER MATERIAL:**

Tempered glass 8mm

**IP RATING:**

IP 67

**IP67**

**THINK BOLLARD - THINK BULLARD**

sales@gordonbullard.com  
www.bullardbollards.com  
1-877-964-4646



991 South Gull Lake Dr  
Richland, MI 49083  
USA



**BULLARD  
BOLLARDS**  
Think Bollard Think Bullard

**CODE:  
BB-001541.ENFTTUNEL-GH**

FIXTURE TYPE: \_\_\_\_\_

PROJECT NAME: \_\_\_\_\_

NOTES:



**APPLINCE CLASS:**

|||

**OPERATION RANGE:**

24 V DC

**DRIVER POSITION:**

Remote

**CRI:**

>90

**CABLE ENTRY / CABLE TYPE:**

Brass cable gland M12 Ø 3.5/7 mm / FR5FOEM7-AD8 2x0.5mm2

**CORD LENGTH:**

0.5m

**LIGHT DISTRIBUTION:**

28° - Symmetrical medium flood (15 ° - 45 °)  
39° x 19° - 2 Axis symmetrical  
69° x 139° - 2 Axis symmetrical

**BEAM DIRECTIONABILITY:**

Fixed optics

**OPTICS:**

Anti UV technopolymer lens

**WARRANTY:**

LED lighting products are warranted for 5 years.

**MAIN FEATURES:**

High visual comfort / Wide range of finishes  
Functional design / Minimal design  
Shock resistant  
Operating Temperature: -22 °F~122 °F

**FINISH OPTIONS:**

Glass



**THINK BOLLARD - THINK BULLARD**

sales@gordonbullard.com  
www.bullardbollards.com  
1-877-964-4646

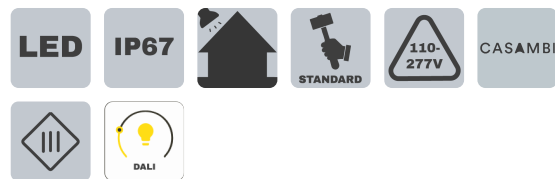
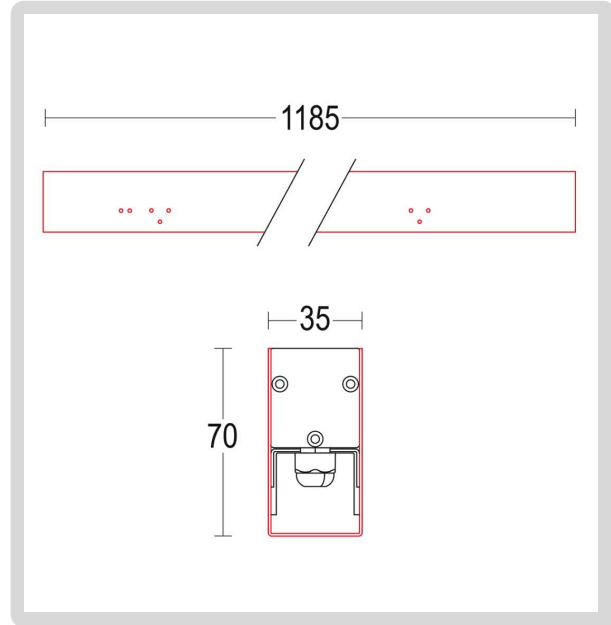


991 South Gull Lake Dr  
Richland, MI 49083  
USA



FIXTURE TYPE: \_\_\_\_\_

PROJECT NAME: \_\_\_\_\_



**HOW TO ORDER:**

**CODE:**

Example:  
CODE: BB-001541.ENFTTUNEL-GH-B28-1-DIM-AC288

BB-001541.ENFTTU  
NEL-GH-B28-1-  
DIM-AC288

**1 MODELS:**

- A) Recessed depth - Ø: 2.76" (7 cm)
- B) Length - L: 46.65" (118.5 cm)
- C) Width - W: 1.38" (3.5 cm)

**2 LIGHT SOURCE:**

CODE	BEAM ANGLE	WATTAGE	KELVINS	LUMENS	
-B69-139-1	69°x139°	1 x 16.68W	3000 K	1 x 1990 lm	24 V DC
-B69-139-2		1 x 24W	3000 K	1 x 2568 lm	24 V DC
-B69-139-3		1 x 16.68W	4000 K	1 x 2188 lm	24 V DC
-B69-139-4		1 x 24W	4000 K	1 x 2656 lm	24 V DC
-B39-19-1	39°x19°	1 x 38W	2700-6500K	1 x 4076 lm	24 V DC
-B39-19-2		1 x 36W	3000K	1 x 3504 lm	24 V DC
-B39-19-3		1 x 36W	4000 K	1 x 3888 lm	24 V DC
-B28-1	28°	1 x 36W	3000 K	1 x 3504 lm	24 V DC
-B28-2		1 x 36W	4000 K	1 x 3888 lm	24 V DC

**3 DIMMING OPTIONS:**

- NON NON-Dimmable
- DIM 0-10V
- CAS Casambi
- DAL Dali

**THINK BOLLARD - THINK BULLARD**

sales@gordonbullard.com  
www.bullardbollards.com  
1-877-964-4646



991 South Gull Lake Dr  
Richland, MI 49083  
USA

FIXTURE TYPE: \_\_\_\_\_

PROJECT NAME: \_\_\_\_\_

**HOW TO ORDER:**

**CODE:**

Example:  
CODE: BB-001541.ENFTTUNEL-GH-B28-1-DIM  
-AC288

BB-001541.ENFTTU  
NEL-GH-B28-1-  
DIM-AC288

**5**

**ACCESSORIES:**

**-AC204**

IP 68 fast connector 4P



**-AC205-IP66**

IP66 remote power supply box



**-AC279**

IP 68 connector for through wiring 4P



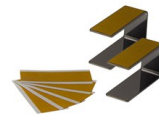
**-AC529**

Rough-in housing 1185mm



**-AC551**

Extraction tool Traccia



**-AC288**

**FOR 28° / 39°x19°**

Anti glare louver 1200mm



**THINK BOLLARD - THINK BULLARD**

sales@gordonbullard.com

www.bullardbollards.com

1-877-964-4646



991 South Gull Lake Dr

Richland, MI 49083

USA