



**BULLARD
BOLLARDS**
Think Bollard Think Bullard

INSTALLATION INSTRUCTION

MINILED EST

INSTALLATION TYPE:
CEILING RECESSED







	LED MAX 8,5W
CL	
	DC MAX 700mA C.C. 11,5V
IP	IP65 (Front Side) IP20 (Back Side)
Lb	1,3 lb

Plasterboard Sp.0,5"		Brickwork/Concrete *	
4.7" x 4.7"	1.18"	8.5" x 5.9"	2.16"
* Please check the housings instruction sheet for the installation on brick/concrete			

The luminaire is protection type IP65, only when being installed in an enclosed ceiling!
IP65 protection is only guaranteed if the transparent silicone lens is correctly installed according to the instructions.
IP65 protection only refers to the hole where the light comes from.



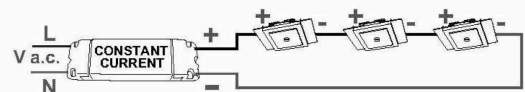
Installation must be performed only by qualified personnel.



Please follow strictly the instructions concerning the installation
The driver must be remotely installed and must be easily accessible
This item must not be covered by any thermal insulation material
The manufacturer is not liable for damages caused by wrong installation or wrong utilization or due to unauthorized modifications on the item.

ELECTRICAL CONNECTION

All technical data are written on the technical label.
Please refer to the driver data sheet before starting the electrical connections.
Do not change polarity (+ red wire / - black wire) to avoid damages LED.
If more than one product are involved , the connection must be in SERIES. HOT Plug IN FORBIDDEN. If you connect the luminaires with the driver switched on you will damaged the lighting sources due to extratension .



The luminaires classified RG2 on the photobiologic risk scale, must be installed in a way that there must be at least a 19.7" distance from any human observer

	C.C.	350 mA	500 mA	700 mA
CCT		RG 1	RG 1	RG 1
	2700K	RG 1	RG 1	RG 1
	3000K	RG 1	RG 1	RG 1
	4000K	RG 1	RG 2	RG 2

sales@gordonbullard.com
www.bullardbollards.com
1 877-964-4646



991 South Gull Lake Dr.
Richland, MI 49083
USA

	A	 OFF 1	 2	 3	 5
	B				
	C				
	D				

OFF THE DRIVER MUST BE SWITCHED OFF. WAIT AT LEAST 20 MINUTES BEFORE MAKING THE ELECTRICAL CONNECTIONS.

REMOTE DRIVER 4

5

REMOVE THE PROTECTION IT WILL BE NEEDED AGAIN

6

ON-OFF/DIM TEST
 DO NOT SWITCH ON WITH PAINT COVER INSTALLED

7

OFF ON

8

SELF DRILLING SCREW TYPE KNAUFF 221 TEKS TIP Ø3,5

10

REPLACE THE PROTECTION

11

12

13

14

15

ONLY FOR THE LUMINAIRES CLASSIFIED RG2 ON THE PHOTOBIOLOGIC RISK SCALE

D

1

2

< 19.6"

NO

16

C

NO

17

ON

18

sales@gordonbullard.com
www.bullardbollards.com
 1 877-964-4646

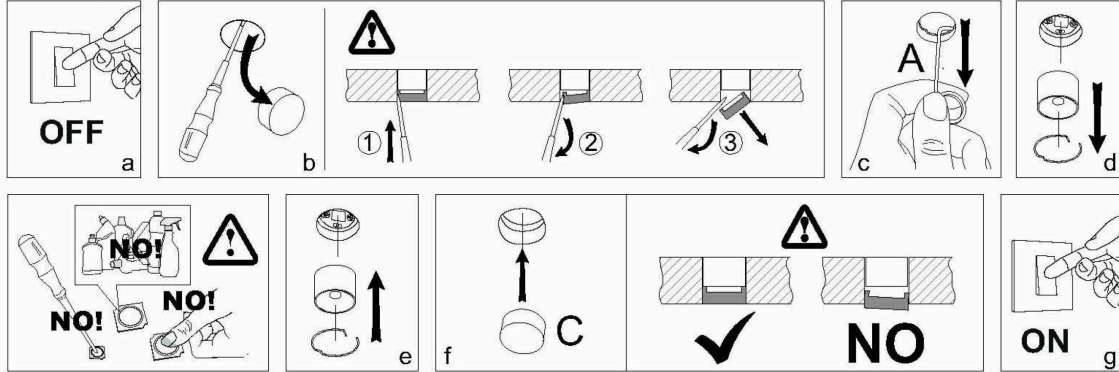


991 South Gull Lake Dr.
 Richland, MI 49083
 USA

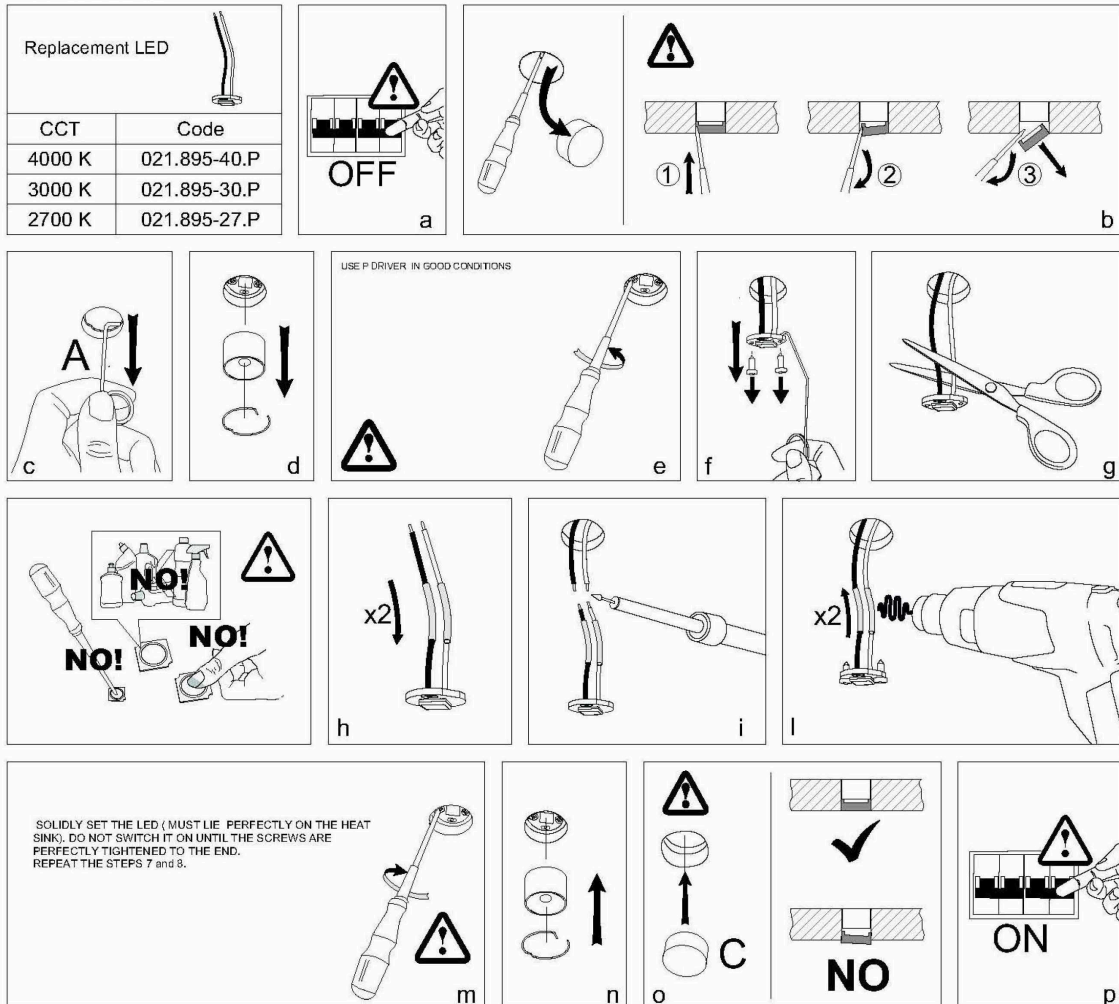


Accessories	+	+	+	+	
Code	099.802.P	099.803.P	099.804.P	099.805.P	099.933

Lens Exchange



LED exchange



sales@gordonbullard.com
www.bullardbollards.com
 1 877-964-4646



991 South Gull Lake Dr.
 Richland, MI 49083
 USA

IMPORTANT

- To ensure equipment safety you must carefully follow the instructions below. This leaflet must be kept handy by personnel entrusted with all ordinary and extraordinary maintenance.
- Before any installation or maintenance operation on the bulb, make sure it is disconnected from power.
- Fit the correct bulbs, according to the type and power indicated on the lamp data label.
- Make sure the lamp technical features are compatible with the use you are going to make of it.
- Should you have any doubt, refer to the dealer or ask an electrician.
- When connecting to the mains, follow the correct colour code for power cables: (N) blue, (L) brown or black and, only for class I equipment, (T) yellow/green.
- When lamps are to be fitted to the wall directly through their ceramic parts, fasten the fixing screws lightly, to avoid breaking the ceramic.
- To clean the lamp on the outside, use a soft cloth, possibly wet. Do not use solvents or abrasive products. No liquid must get in contact with the lamp interior parts.
- Do not touch the equipment with dirty hands.



= Class I equipment, must be connected to an earth terminal.



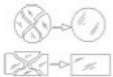
= Double insulated lamp, does not need earthing.



= Electrical equipment in class III, electrical safety guaranteed by low voltage tension, does not require grounding



= Minimum distance to be observed from all lit up objects.



= Replace immediately the safety glass, if damaged, with the original part.



= The lamp uses low pressure bulbs, and needs no protection glass.

