



**BULLARD  
BOLLARDS**  
Think Bollard Think Bullard

# THE WHOOPING CRANE/THE JARIBU/THE FLAMINGO /THE CRANE/THE EGRET/THE HERON/THE SPOONBILL/THE IBIS/THE STILT

INSTALLATION TYPE:  
PARK/URBAN/  
GARDEN POLE  
LUMINAIRES

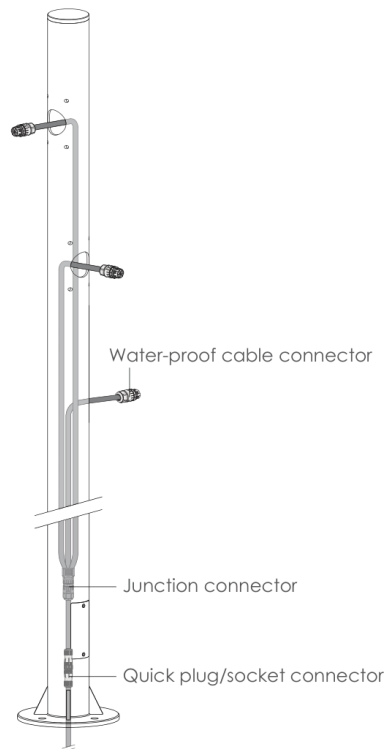


# BOBSC0369

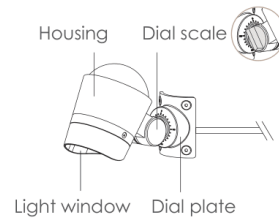
Garden Pole Light

## 1. Exterior details

### 1.1 Pole



### 1.2 Luminaire - BOBSR0169



## 2. Datasheet

<b>Housing:</b>	12# Die-casting aluminum finishing or powder painting T=60-80µm. Adhesion of ISO class 1/ASTM class 4B
<b>Light Window:</b>	Tempered Glass. T=3mm
<b>Gasket:</b>	Tooling shaped seal
<b>LED Driver:</b>	Constant Voltage Input, Constant Current Output
<b>Operating Temperature:</b>	Temperature of water between -20°C~40°C
<b>Power Cable:</b>	H05RN-F 3x1.0mm <sup>2</sup>

P.2

[sales@gordonbullard.com](mailto:sales@gordonbullard.com)  
[www.bullardbollards.com](http://www.bullardbollards.com)  
 1 877-964-4646



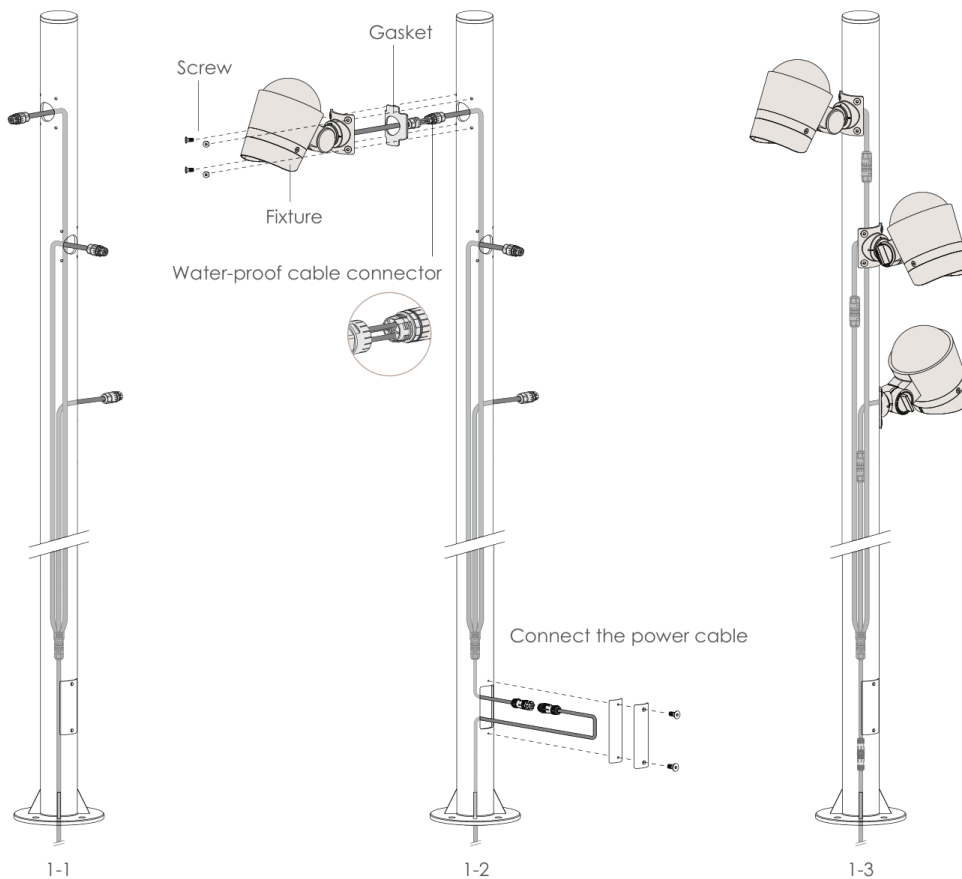
991 South Gull Lake Dr.  
 Richland, MI 49083  
 USA

Light Source:	3×18W
Beam Angle:	50°
Input Voltage(v):	240
Operating Current(mA):	267
Consumption(w):	60
Luminance(lm):	5490
IK:	07

### 3. Installation steps

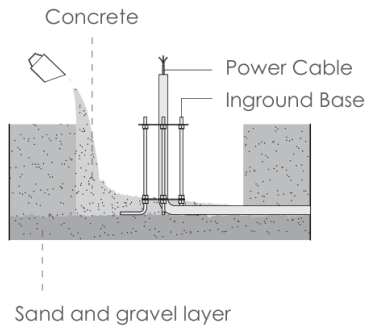
#### Step 1

- 1-1 Thread the power cable through the opening on the pole
- 1-2 Connect the wires with the water-proof cable connector and the power cable
- 1-3 Lock the fixtures on to the pole

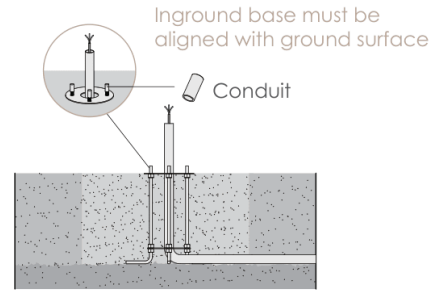


**Step 2**

2-1 Place the base on the installation surface and pass the conduit containing the reserved power cable through the base



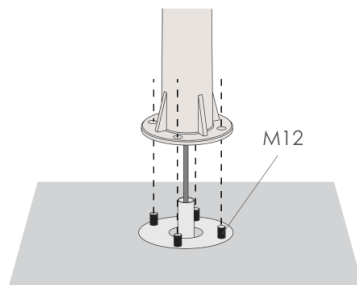
2-2 Pour in cement until it is level with the upper layer of the base



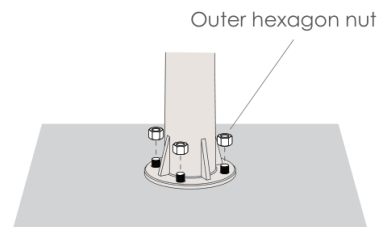
※ Please cover the screw with conduit to protect it from cement

**Step 3**

3-1 Mount pole on to the screws of inground base



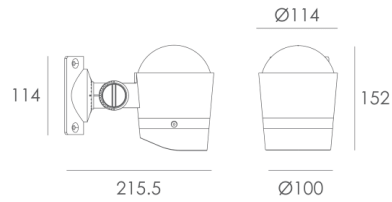
3-2 Use outer hexagon nuts to secure the pole to complete installations



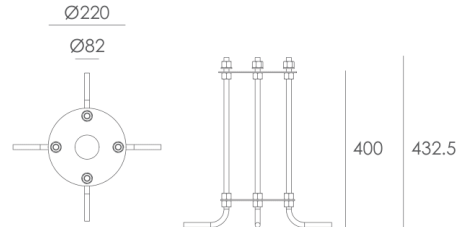
**4. Appendix**

**4.1 External dimension(mm)**

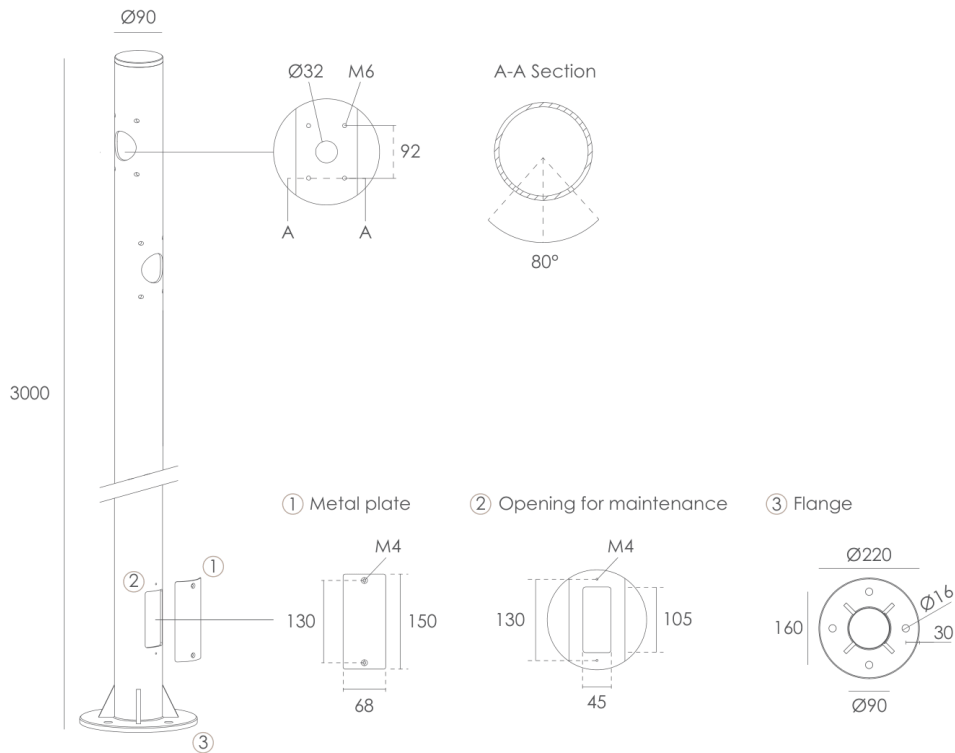
Luminaire - BOBSR0169



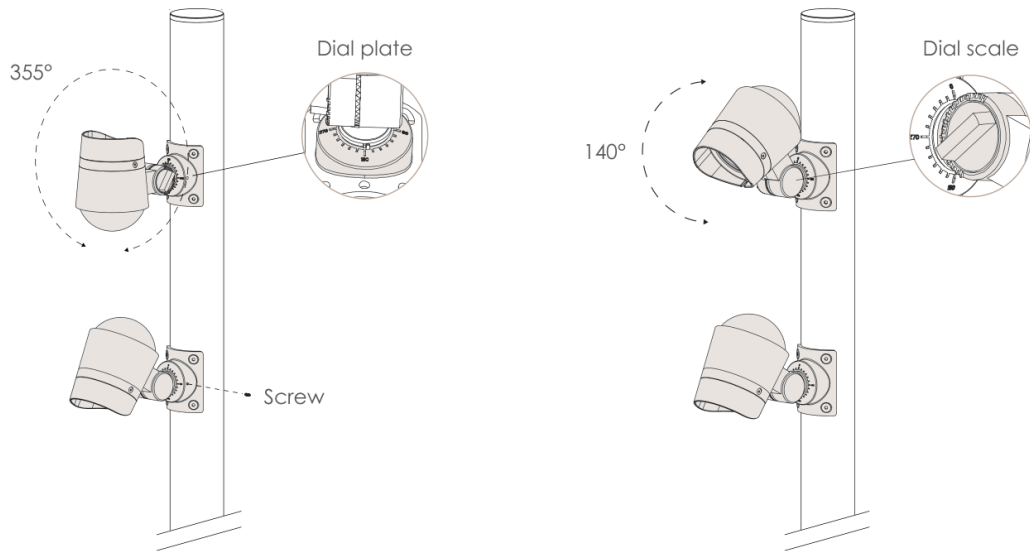
Inground Base (Option)



Pole



#### 4.2 Adjust fixtures

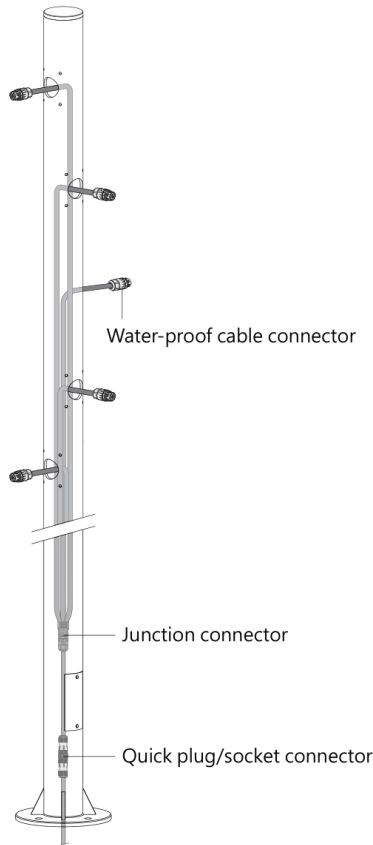


**B0BSC0569**

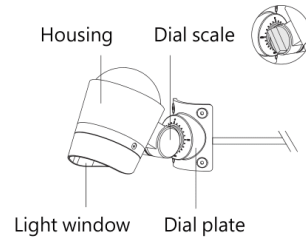
Garden Pole Light

1.Exterior details

1.1 Pole



1.2 Luminaire - B0BSR0169



2.Datasheet

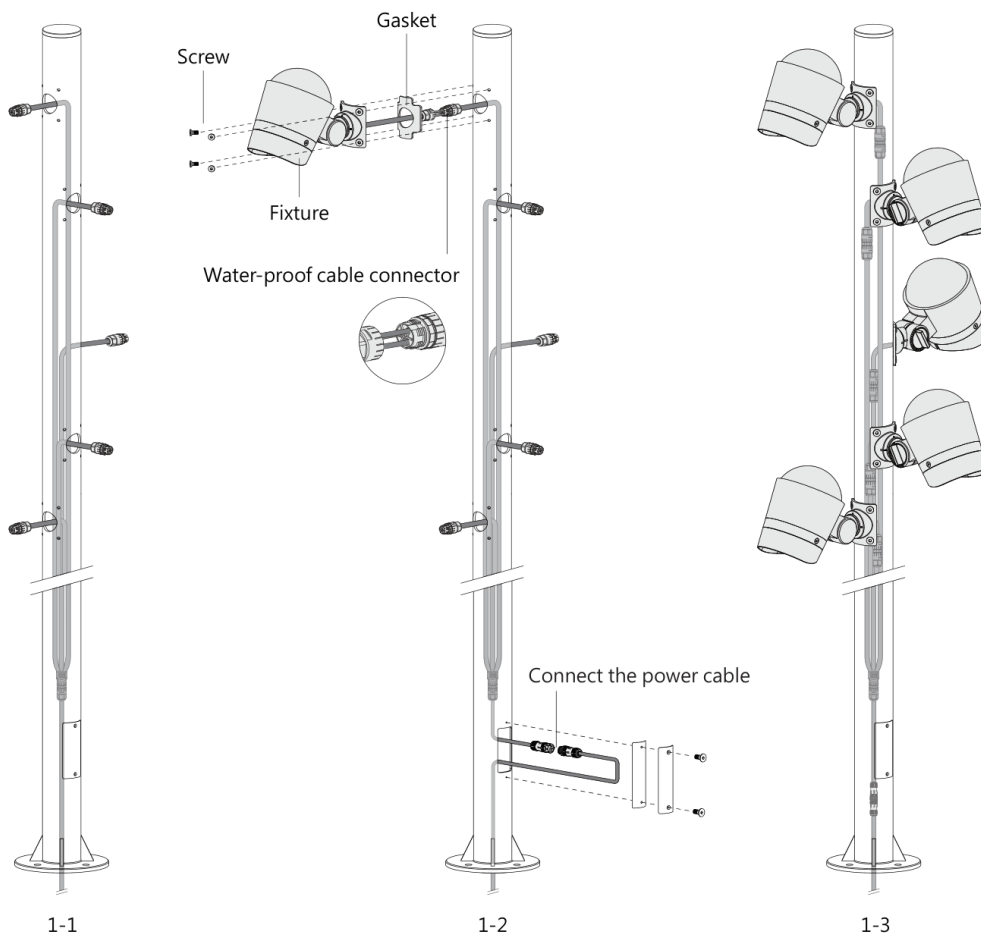
Housing:	12# Die-casting aluminum finishing or powder painting T=60-80µm. Adhesion of ISO class 1/ASTM class 4B
Light Window:	Tempered Glass.T=3mm
Gasket:	Tooling shaped seal
LED Driver:	Constant Voltage Input, Constant Current Output
Power Cable:	H05RN-F 3x1.0mm <sup>2</sup>
Operating Restrict:	Temperature of environment between -20°C~40°C

Light Source: 5×18W  
 Beam Angle: 20°  
 Input Voltage(v): 240  
 Operating Current(mA): 445  
 Consumption(w): 100  
 Luminance(lm): 9150  
 IK: 07

### 3.Installation

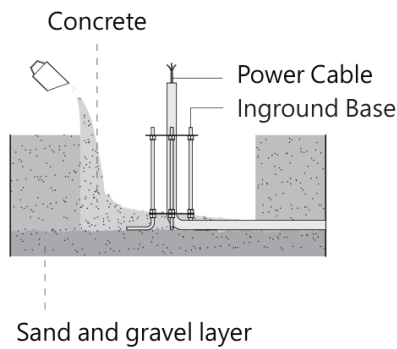
#### Step 1

- 1-1 Thread the power cable through the opening on the pole
- 1-2 Connect the wires with the water-proof cable connector and the power cable
- 1-3 Lock the fixtures on to the pole

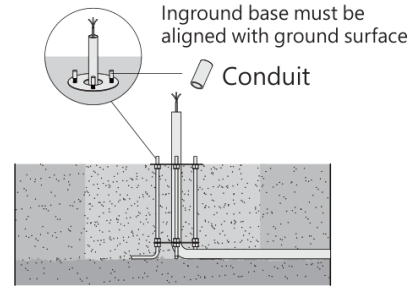


Step 2

2-1 Place the base on the installation surface and pass the conduit containing the reserved power cable through the base



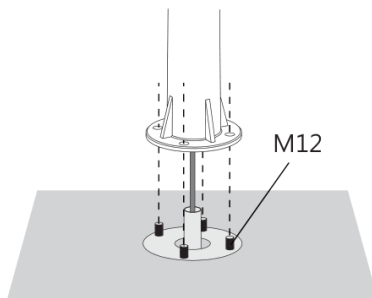
2-2 Pour in cement until it is level with the upper layer of the base



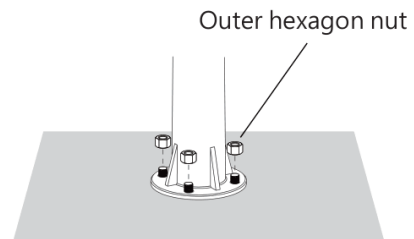
※ Please cover the screw with conduit to protect it from cement

Step 3

3-1 Mount pole on to the screws of inground base



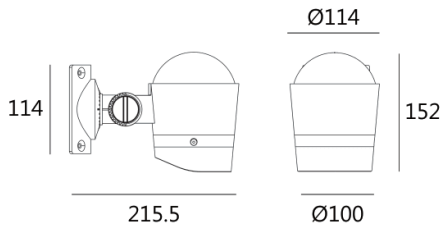
3-2 Use outer hexagon nuts to secure the pole to complete installations



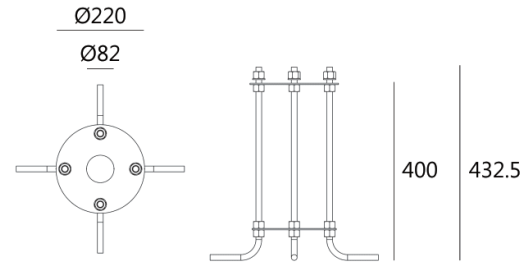
4.Appendix

4.1 External dimension(mm)

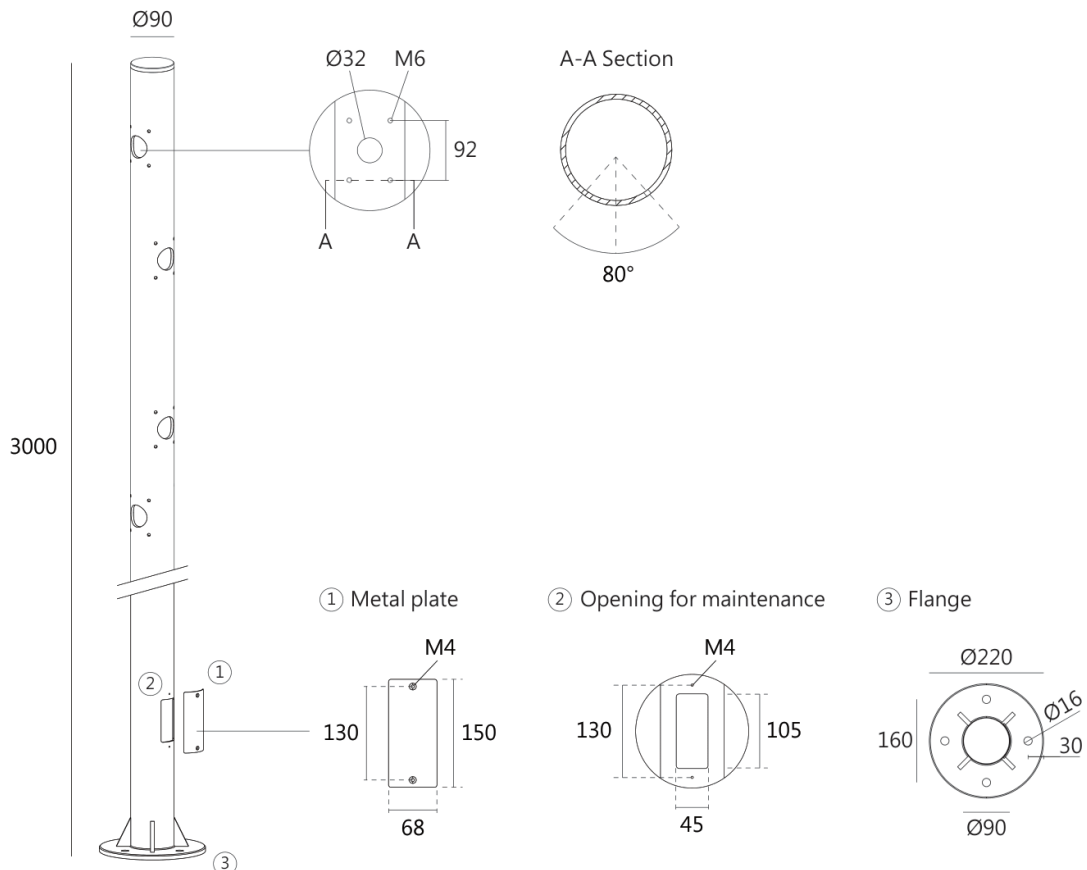
Luminaire - B0BSR0169



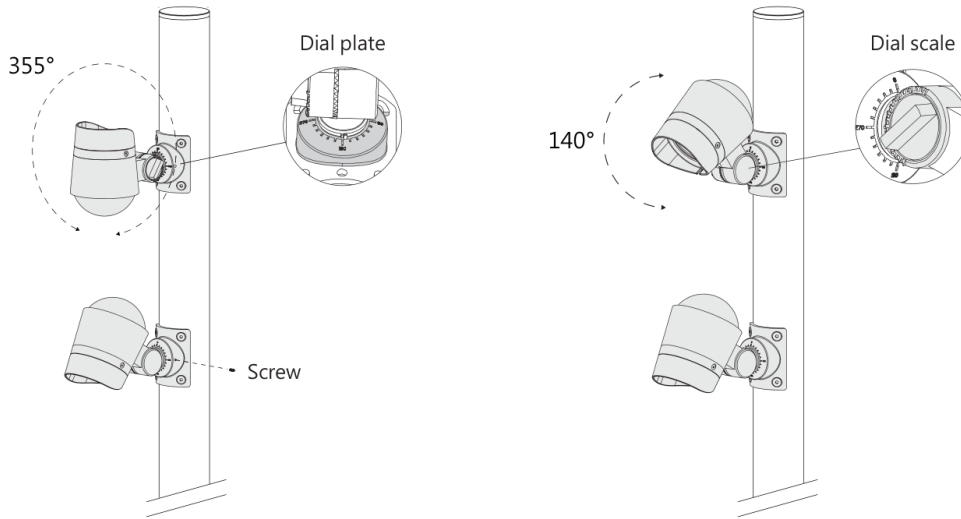
Inground Base (Option)



Pole



4.2 Adjust fixtures



THE SAFETY OF THIS FIXTURE IS GUARANTEED ONLY IF YOU COMPLY WITH THESE INSTRUCTIONS; REMEMBER TO KEEP IN A SAFE PLACE. THE APPLIANCE MUST NOT BE TAMPERED WITH OR TRANSFORMED AND IT MUST BE INSTALLED AND USED AS SUPPLIED AND IN COMPLIANCE WITH THE NATIONAL RULES ON INSTALLATIONS. SWITCH-OFF THE POWER SUPPLY BEFORE CARRYING OUT ANY MAINTENANCE OPERATIONS. HOT PLUG-IN IS NOT ALLOW AND MAY CAUSE DAMAGE TO THE LUMINAIRE. THE LIGHT SOURCE CONTAINED IN THIS LUMINAIRE SHALL BE REPLACED ONLY BY THE MANUFACTURER OR HIS SERVICE AGENT. INSTALLATION AND SERVICE MUST BE PERFORMED BY QUALIFIED SERVICE PERSONNEL. ANY NON-COMPLIANT INSTALLATIONS WILL INVALIDATE ALL FORMS OF GUARANTEE.

P.8

[sales@gordonbullard.com](mailto:sales@gordonbullard.com)  
[www.bullardbollards.com](http://www.bullardbollards.com)  
1 877-964-4646



991 South Gull Lake Dr.  
Richland, MI 49083  
USA