



**BULLARD  
BOLLARDS**  
Think Bollard Think Bullard

# MICROBUNNY GLOW 1L 75 (INGROUND LUMINAIRES)



FIXTURE TYPE: \_\_\_\_\_

PROJECT NAME: \_\_\_\_\_

NOTES:



**GENERAL INFORMATION:**

The MICROBUNNY GLOW 1L 75 by Bullard Bollards turns subtle outdoor landscapes into sculpted light experiences, channeling a pristine grazing glow along pathways with elegant precision. Crafted from ultra-durable, oxidation-resistant materials and sealed for all-weather performance, it thrives in exterior settings without losing its refined form. Built to integrate seamlessly into architectural lighting schemes, this ground-recessed fixture blends robust engineering with minimalist design for enduring outdoor ambiance.

**FIXTURE TYPE:**

Inground Luminaires

**LIGHTING:**

LED

**INPUT VOLTAGE:**

110-277V

**MATERIAL:**

Die-cast aluminum EN AB 44100 highly resistant to oxidation

**GASKETS:**

Silicone gaskets

**EXTERNAL SCREWS:**

Stainless steel A4-70 treated with highly antioxidant water-repellent lubricating solution

**FINISH AND PROTECTION:**

Primary treatment with nanoceramic conversion. Secondary treatment by application of protective epoxy primer. Protective finish with textured polyester powder coating, resistant to weathering and UV rays

**ROUGH IN HOUSING:**

Polypropylene to be ordered separately

**DRAINAGE:**

30cm of gravel or draining material.  
Alternatively, draining piping system.

**STATIC LOAD:**

5511.6 lb - Drive-over max 10km/h

**CRI:**

>80

**THINK BOLLARD - THINK BULLARD**

sales@gordonbullard.com

www.bullardbollards.com

1-877-964-4646



991 South Gull Lake Dr

Richland, MI 49083

USA

FIXTURE TYPE: \_\_\_\_\_

PROJECT NAME: \_\_\_\_\_

NOTES:



**DRIVER POSITION:**

Integral

**IP RATING:**

IP68

**APPLINCE CLASS:**

I

**CUTOUT SHAPE:**

Round

**CABLE ENTRY:**

Nylon cable gland M16 Ø 0.5/1cm

**CABLE TYPE:**

H05RN-F 3x0.01 cm<sup>2</sup>

**WATER-LOCK SYSTEM:**

Cable gland with anti-moisture suction system, preventing the capillary rise of water or condensation along the cable and ensuring maximum protection of the luminaire body and electrical components.

**CORD LENGTH:**

100 cm

**LIGHT DISTRIBUTION:**

90°      Other

**BEAM DIRECTIONABILITY:**

Fixed optics

**DIFFUSER MATERIAL/FINISH/TEMPERATURE:**

Tempered glass 0.3cm /Transparent - extra clear/ < 313.15 K (< 40 °C)

**WARRANTY:**

LED lighting products are warranted for 5 years.

**MAIN FEATURES:**

- Wide range of finishes
- Evocative / Functional design
- Resistant to vandalism
- Operating Temperature: 253.15 K ÷ 308.15 K (-20 °C ÷ +35 °C)
- Increased temperature to 323.15 K (50°C )
- \* upon request previous specific components and test



**THINK BOLLARD - THINK BULLARD**

sales@gordonbullard.com  
www.bullardbollards.com  
1-877-964-4646

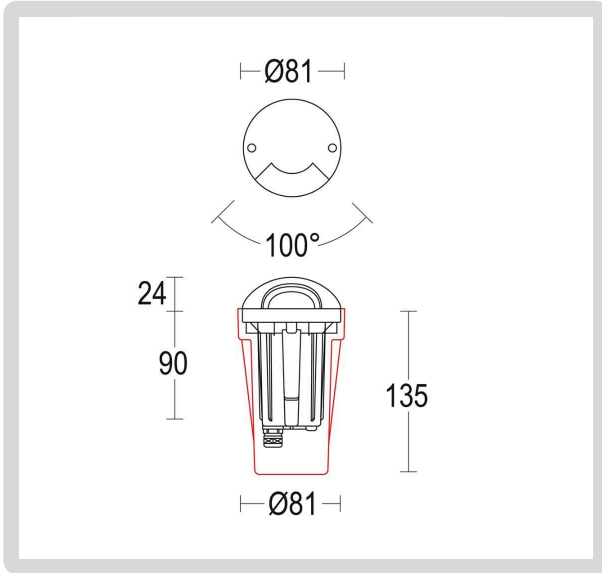


991 South Gull Lake Dr  
Richland, MI 49083  
USA



FIXTURE TYPE: \_\_\_\_\_

PROJECT NAME: \_\_\_\_\_



**HOW TO ORDER:**

**CODE:**

Example:  
CODE: BB-

BB-

**1 DIMENSIONS:**

Diameter - Ø: 3.19" (8.1 cm)  
 Recessed hole diameter - Ø: 3.19" (8.1 cm)  
 Recessed depth - h: 5.31" (13.5 cm)

**2 BEAM ANGLE:**

90°

**3 LIGHT SOURCE:**

LED / 1 x 1 W

**4 CCT&LUMENS:**

**-K30** 3000K = 120 lm  
**-K40** 4000K = 130 lm

**5 CONTROL GEAR / OPERATION RANGE:**

**-24V** 24 V DC  
**-1V** 110-277 V - 60 Hz

**6 DIMMING OPTIONS:**

**-NON** NON-Dimmable  
**-DIM** 0-10V  
**-CAS** Casambi  
**-LT** Lutron  
**-DAL** Dali

**7 FINISH OPTIONS:**

<b>-01</b> White matt	<b>-45</b> Corten matt
<b>-02</b> Black matt	<b>-62</b> Antique grey matt
<b>-05</b> Anthracite grey matt	<b>-65</b> Blue matt
<b>-19</b> Light grey matt	<b>-80</b> Sand matt
<b>-26</b> Bronze	<b>-83</b> Green matt



**THINK BOLLARD - THINK BULLARD**

sales@gordonbullard.com  
 www.bullardbollards.com  
 1-877-964-4646



991 South Gull Lake Dr  
 Richland, MI 49083  
 USA



FIXTURE TYPE: \_\_\_\_\_

PROJECT NAME: \_\_\_\_\_

**HOW TO ORDER:**

**CODE:**

**Example:**  
**CODE: BB-**

BB-

**8 ACCESSORIES:**

**-AC010**

SPD 10kV IP66 C I - Serie



**-AC013**

Rough-in housing 81x135



**9 PHOTOMETRY:**



90° / 3000K

H(m)	φ (m)	lux med. 3000 K		lux max. 3000 K	
		1	2	3	5
5	0.5	1	2		
4	0.4	2	3		
3	0.3	3	5		
2	0.2	6	11		
1	0.1	24	42		



90° / 4000K

H(m)	φ (m)	lux med. 4000 K		lux max. 4000 K	
		1	2	3	5
5	0.5	1	2		
4	0.4	2	3		
3	0.3	3	5		
2	0.2	7	12		
1	0.1	26	46		

**THINK BOLLARD - THINK BULLARD**

sales@gordonbullard.com

www.bullardbollards.com

1-877-964-4646



991 South Gull Lake Dr

Richland, MI 49083

USA