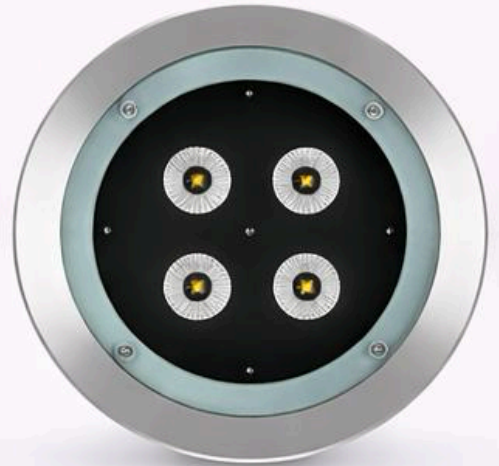
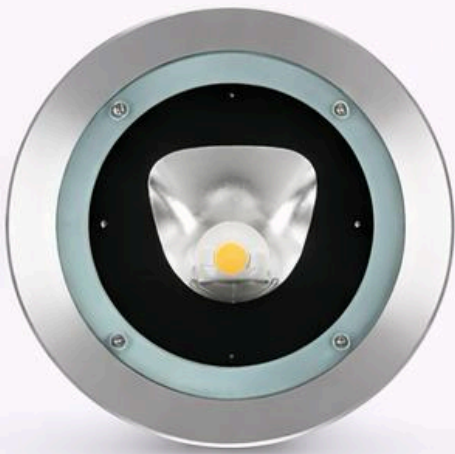




**BULLARD  
BOLLARDS**  
Think Bollard Think Bullard

**BUNNY STEP**





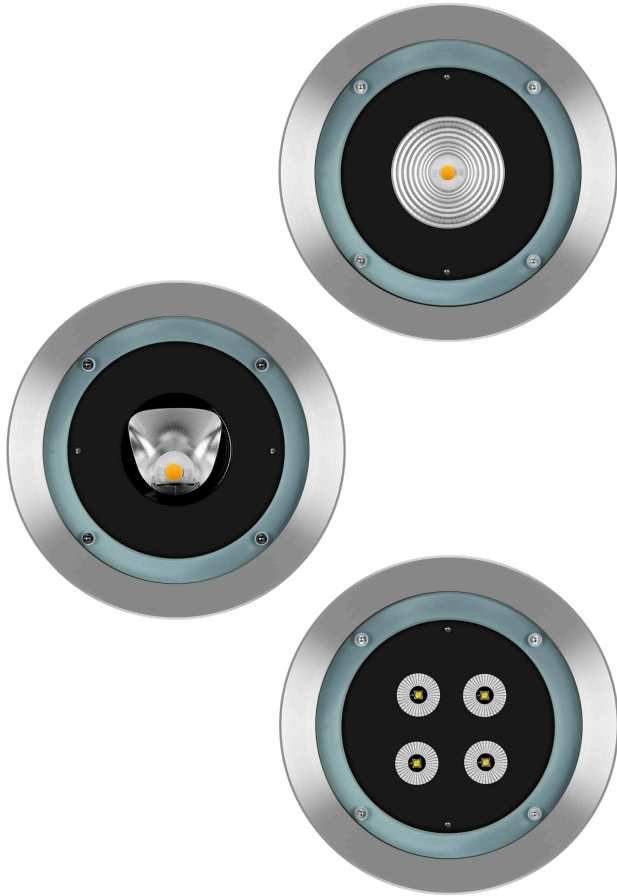
**BULLARD  
BOLLARDS**  
Think Bullard Think Bullard

**CODE:**

**BB-1721.00NFST300EN-GH**

FIXTURE TYPE: \_\_\_\_\_

PROJECT NAME: \_\_\_\_\_



**GENERAL INFORMATION:**

BUNNY STEP is a recessed lighting fixture with shallow installation depth, available in multiple sizes, optics, and wattages for illuminating façades, plants, shrubs, and landscape elements. The body is made of high-resistance aluminum with nano-bonderite treatment and textured polyester powder coating for long-term protection against UV rays and atmospheric agents. Silicone gaskets ensure reliable sealing, while the ultra-clear tempered glass diffuser with silkscreen border maximizes light transmission. Stainless steel trim and screws complete the durable finish. Equipped with the water-lock system to prevent cable condensation, it is supplied with a polypropylene rough-in housing for safe ground installation. Available with external stainless steel frame or glass flush to floor. Walk-over rated for non-traffic areas; not suitable for pools or fountains.

**FIXTURE TYPE:**

Inground

**VOLTAGE:**

110-277V



**MATERIAL:**

Stainless steel AISI 316L, Die-cast aluminum EN AB 44100 highly resistant to oxidation

**IP RATING:**

IP 68



**DIFFUSER:**

Tempered glass (12mm)

**WARRANTY:**

LED lighting products are warranted for 5 years.

**DRIVER POSITION:**

Remote

**MAIN FEATURES:**

- High visual comfort
- Available in a wide choice of optics
- Functional and minimalistic design
- Shock-resistant construction
- Operating Temperature: -4°F to +122°F.

**THINK BOLLARD - THINK BULLARD**

sales@gordonbullard.com  
www.bullardbollards.com  
1-877-964-4646

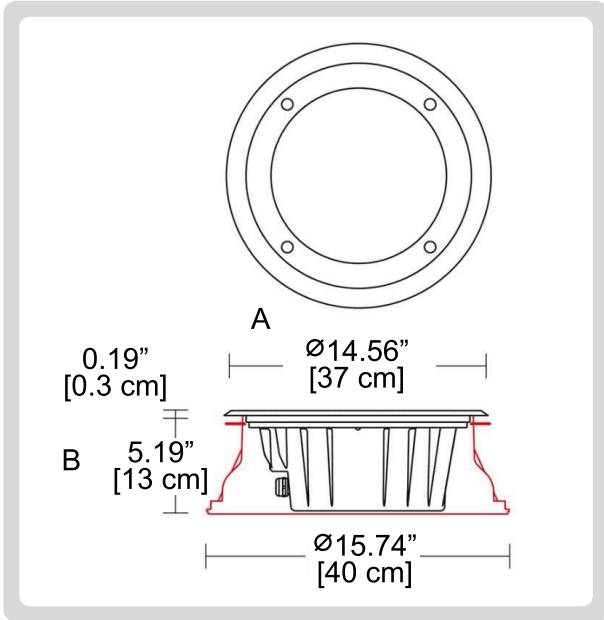


991 South Gull Lake Dr  
Richland, MI 49083  
USA



FIXTURE TYPE: \_\_\_\_\_

PROJECT NAME: \_\_\_\_\_



**HOW TO ORDER:**

**CODE:**

**Example:**  
CODE: BB-1721.00NFST300EN-GH-B8-1-DAL-SS

BB-1721.00NFST300EN-GH-B8-1-DAL-SS

**1 DIMENSIONS:**

A) Diameter -  $\text{Ø}$ : 14.56" (37 cm)  
B) Height - H: 5.19" (13 cm)

**2 LIGHT SOURCE:**

CODE	BEAM ANGLE	WATTAGE	KELVINS	LUMENS
-B8-1	8°	1 x 25.5W	3000 K	1 x 2874 lm
-B8-2			3000 K	1 x 2874 lm
-B8-3			3000 K	1 x 2874 lm
-B8-4			4000 K	1 x 3093 lm
-B8-5			4000 K	1 x 3093 lm
-B8-6			4000 K	1 x 3093 lm
-B14-1	14°	1 x 22W	3000 K	1 x 2844 lm
-B14-2			4000 K	1 x 3172 lm
-B15-1	15°	1 x 23.7W	3000 K	1 x 3306 lm
-B15-2		1 x 37.1W	3000 K	1 x 4788 lm
-B15-3		1 x 23.7W	4000 K	1 x 3555 lm
-B15-4		1 x 37.1W	4000 K	1 x 5149 lm
-B37-1	37°	1 x 23.7W	3000 K	1 x 3306 lm
-B37-2		1 x 37.1W	3000 K	1 x 4788 lm
-B37-3		1 x 23.7W	4000 K	1 x 3555 lm
-B37-4		1 x 37.1W	4000 K	1 x 5149 lm
-B74-1	74°	1 x 23.7W	3000 K	1 x 3306 lm
-B74-2		1 x 37.1W	3000 K	1 x 4788 lm
-B74-3		1 x 23.7W	4000 K	1 x 3555 lm
-B74-4		1 x 37.1W	4000 K	1 x 5149 lm
-B64x82x20-1	64° x 82° x 20°	1 x 23.7W	3000 K	1 x 3306 lm
-B64x82x20-2		1 x 37.1W	3000 K	1 x 4788 lm
-B64x82x20-3		1 x 23.7W	4000 K	1 x 3555 lm
-B64x82x20-4		1 x 37.1W	4000 K	1 x 5149 lm

**THINK BOLLARD - THINK BULLARD**

sales@gordonbullard.com  
www.bullardbollards.com  
1-877-964-4646



991 South Gull Lake Dr  
Richland, MI 49083  
USA

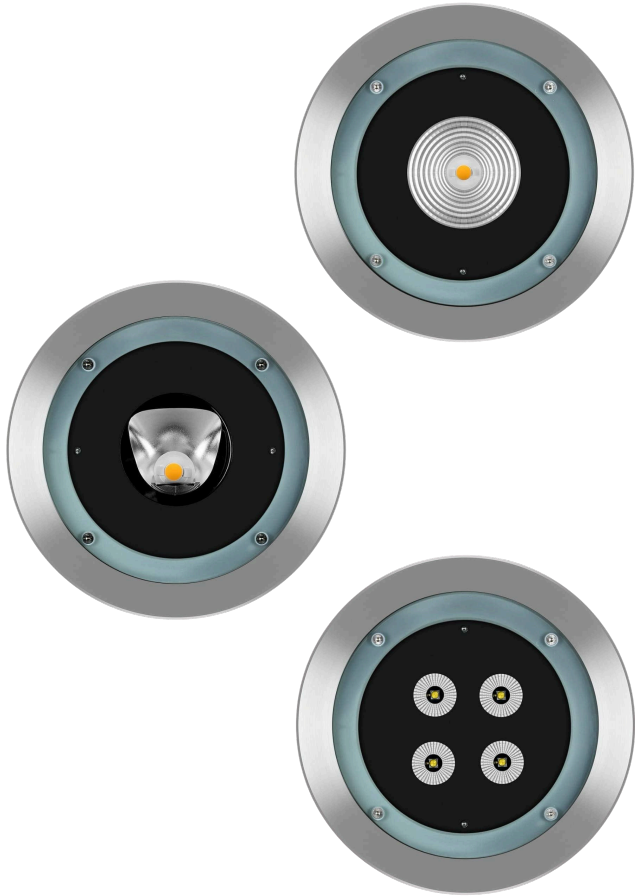


**BULLARD  
BOLLARDS**  
Think Bullard Think Bullard

**CODE:  
BB-1721.00NFST300EN-GH**

FIXTURE TYPE: \_\_\_\_\_

PROJECT NAME: \_\_\_\_\_



**HOW TO ORDER:**

**CODE:**

**Example:**  
CODE: BB-1721.00NFST300EN-GH-B8-1-DAL-SS

BB-1721.00NFST300EN-GH-B8-1-DAL-SS

**3 DIMMING OPTIONS:**

- NON NON-Dimmable
- DIM 0-10V
- DAL Dali

**4 FINISH OPTIONS:**

- SS Stainless Steel 
- CUS Custom on request\* 

**5 ACCESSORIES:**

**-AC719**  
Rough-in housing 305x130



**-AC204**  
IP 68 fast connector 4P



**-AC204-5P**  
IP 68 fast connector 5P



**-AC279**  
IP 68 connector for through wiring 4P



**-AC279-5P**  
IP 68 connector for through wiring 5P



**THINK BOLLARD - THINK BULLARD**

sales@gordonbullard.com  
www.bullardbollards.com  
1-877-964-4646



991 South Gull Lake Dr  
Richland, MI 49083  
USA