



**BULLARD
BOLLARDS**
Think Bollard Think Bullard

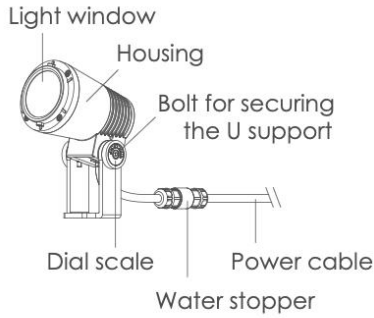
INSTALLATION INSTRUCTION
01/28/2026

ALCOR



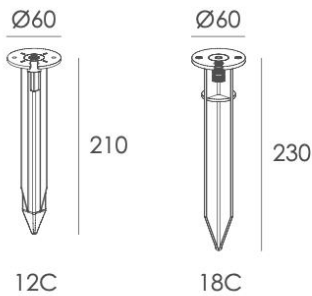
Exterior details

Luminaire

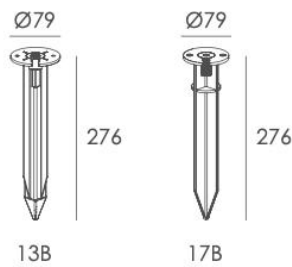


Optional accessories

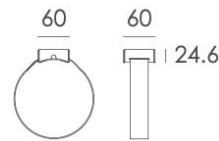
Spike



Spike



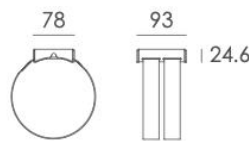
Tree pole strap



Bevel cut hood

- CA3022 
- CA3021 
- CA3020 
- CA3019 

Tree pole strap



Data Sheet:

Input Voltage (V): 110-277
 IK 05 / 06

sales@gordonbullard.com
www.bullardbollards.com
 1 877-964-4646

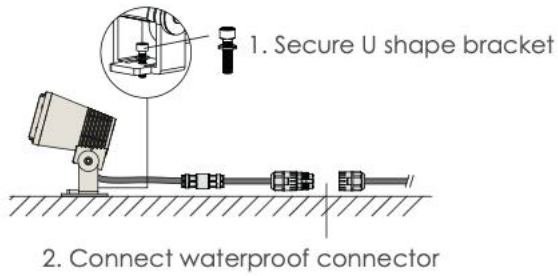


991 South Gull Lake Dr.
 Richland, MI 49083
 USA

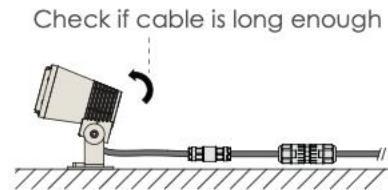


Installation steps

Step 1

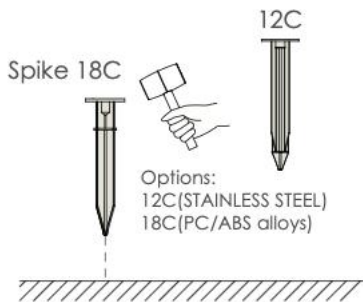


Step 2

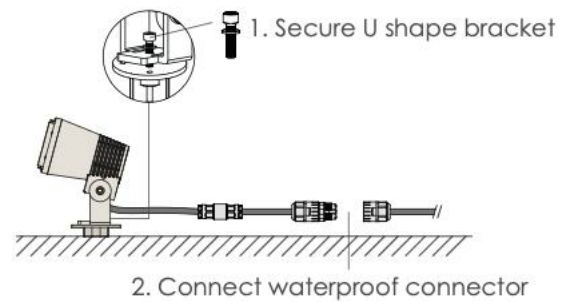


Accessories assemble - Spike

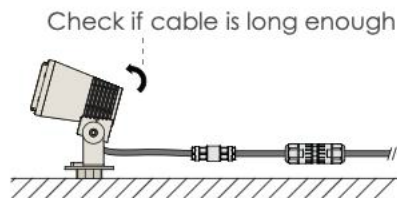
Step 1



Step 2

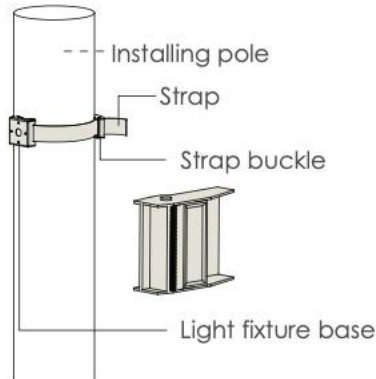


Step 3

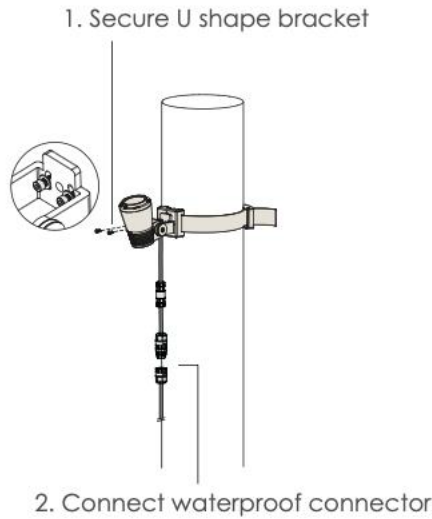


Accessories assemble - Tree pole strap

Step 1



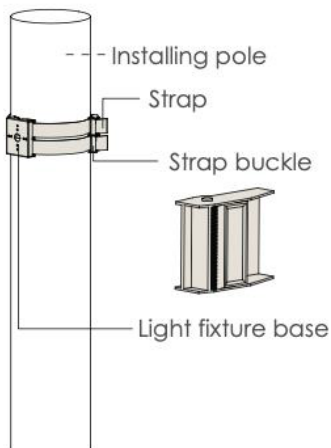
Step 2



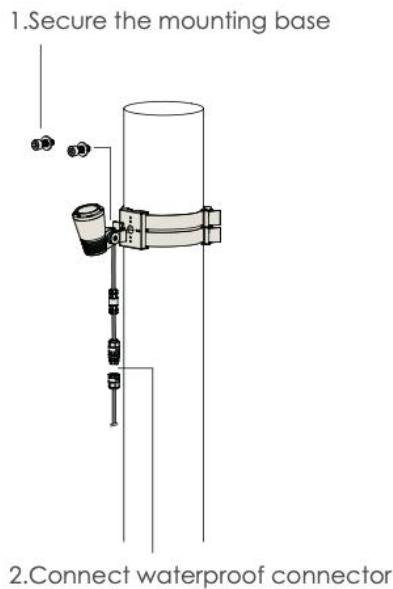
Step 3



Step 1



Step 2



Step 3



Accessories assemble - Bevel cut hood

