



BULLARD
BOLLARDS



CONO

(BDS-PU40RB36-ST)

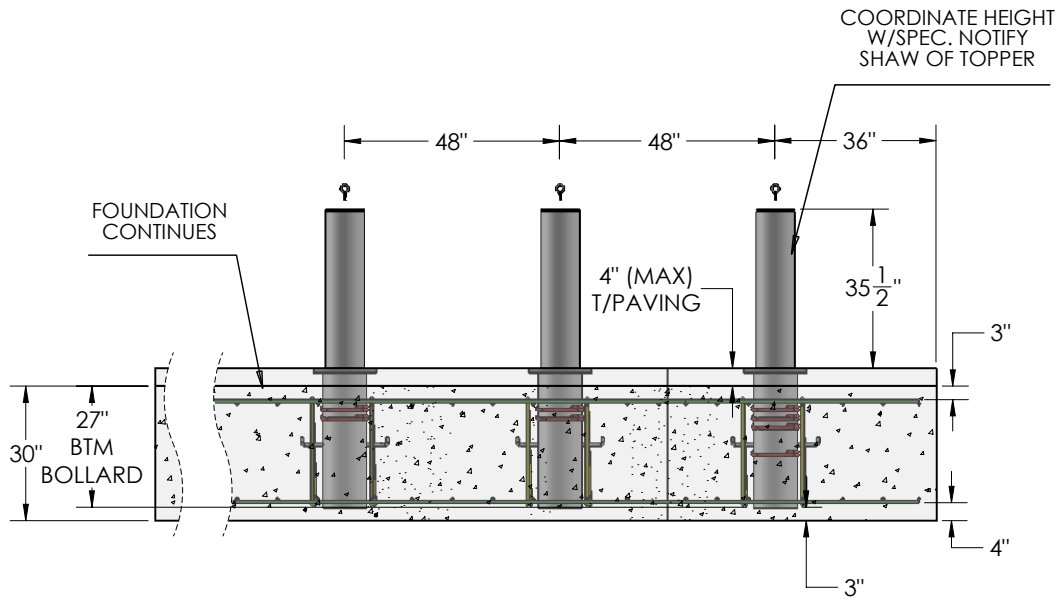
sales@gordonbullard.com
www.bullardbollards.com
1-877-964-4646



991 South Gull Lake Dr
Richland, MI 49083
USA

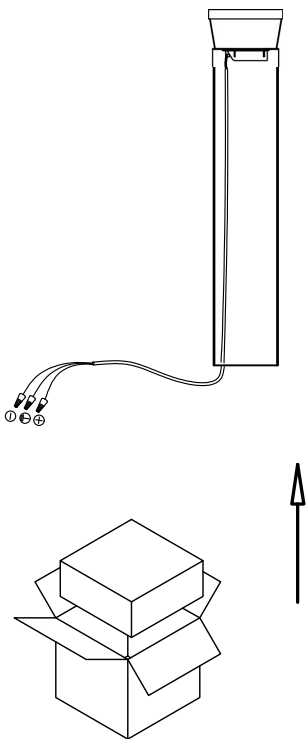
1. Mounting of security base in accordance with ASTM CRASH RATED standards

Detailed installation information on page 2 and 3 and 4



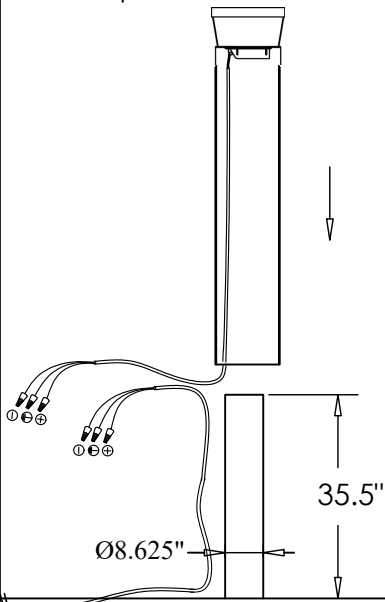
ATTACK SIDE VIEW

2. Take out the lamps and find the corresponding accessories.



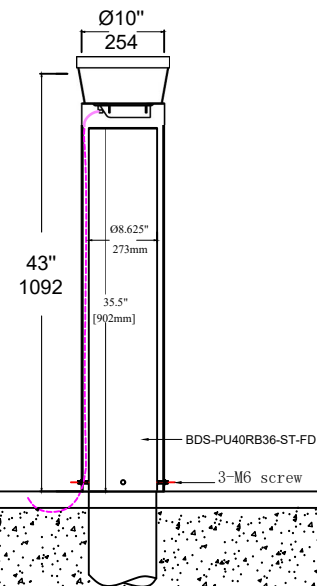
3. Connect the power cord through the three-core waterproof connector
Please note: the cord should be located between the security pipe and the lit cover, it doesn't need to go into the concrete.

4. Fix the top lit cover with the set of screws



5. Lamp size drawing.

Please note: the cord should be located between the security pipe and the lit cover, it doesn't need to go into the concrete.



8

7

6

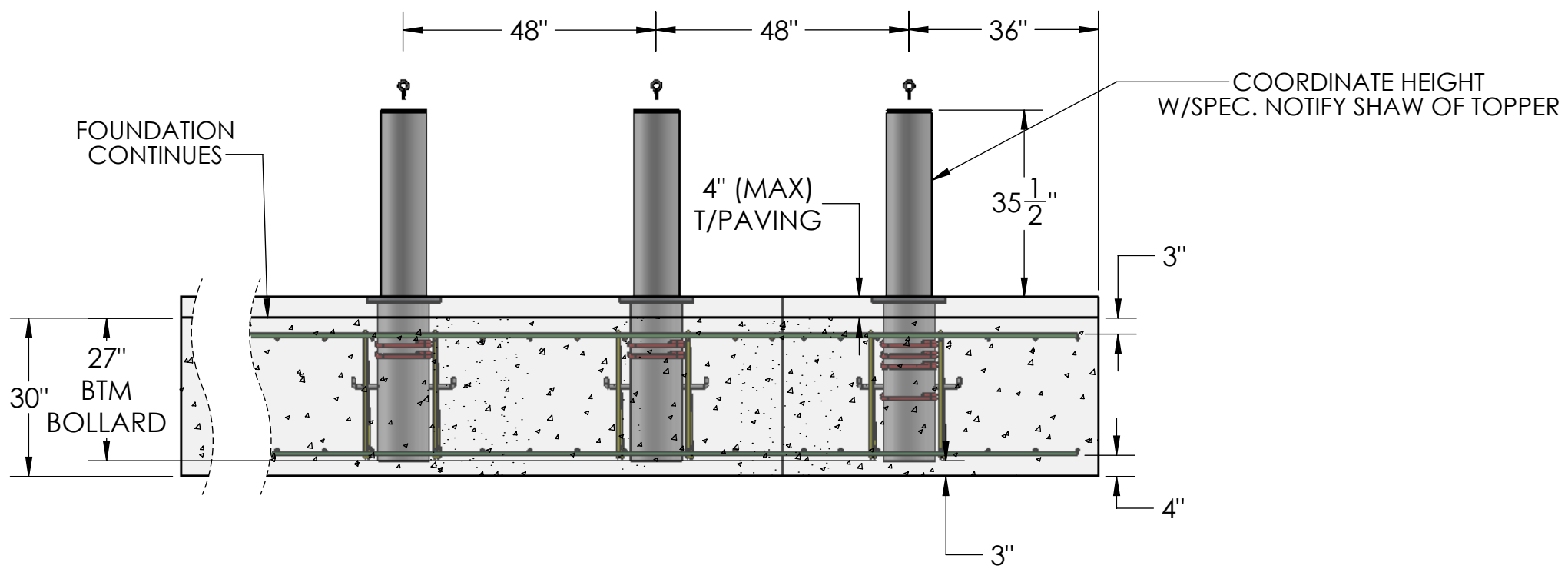
5

4

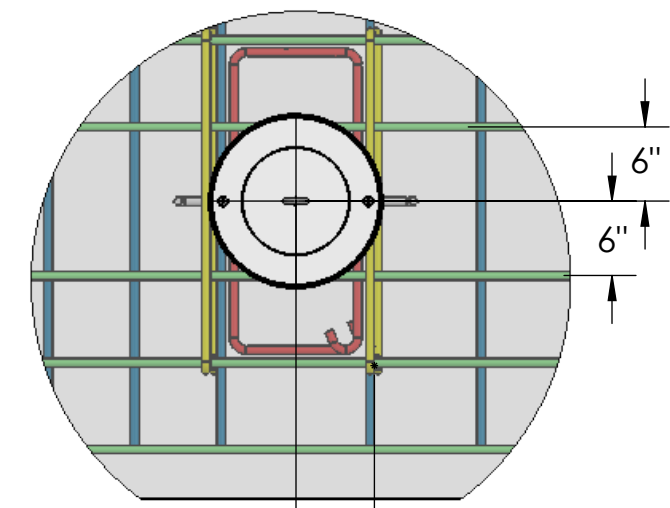
3

2

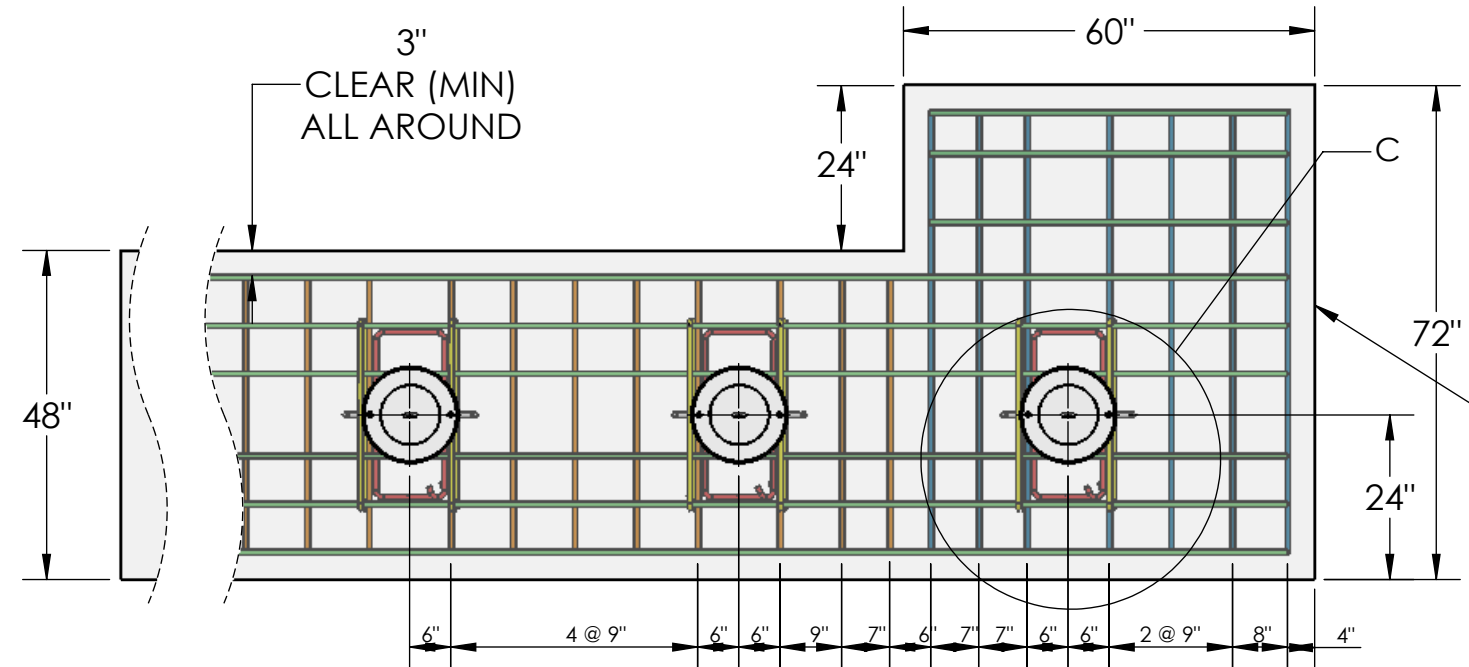
1



ATTACK SIDE VIEW



DETAIL C




TOP SIDE VIEW

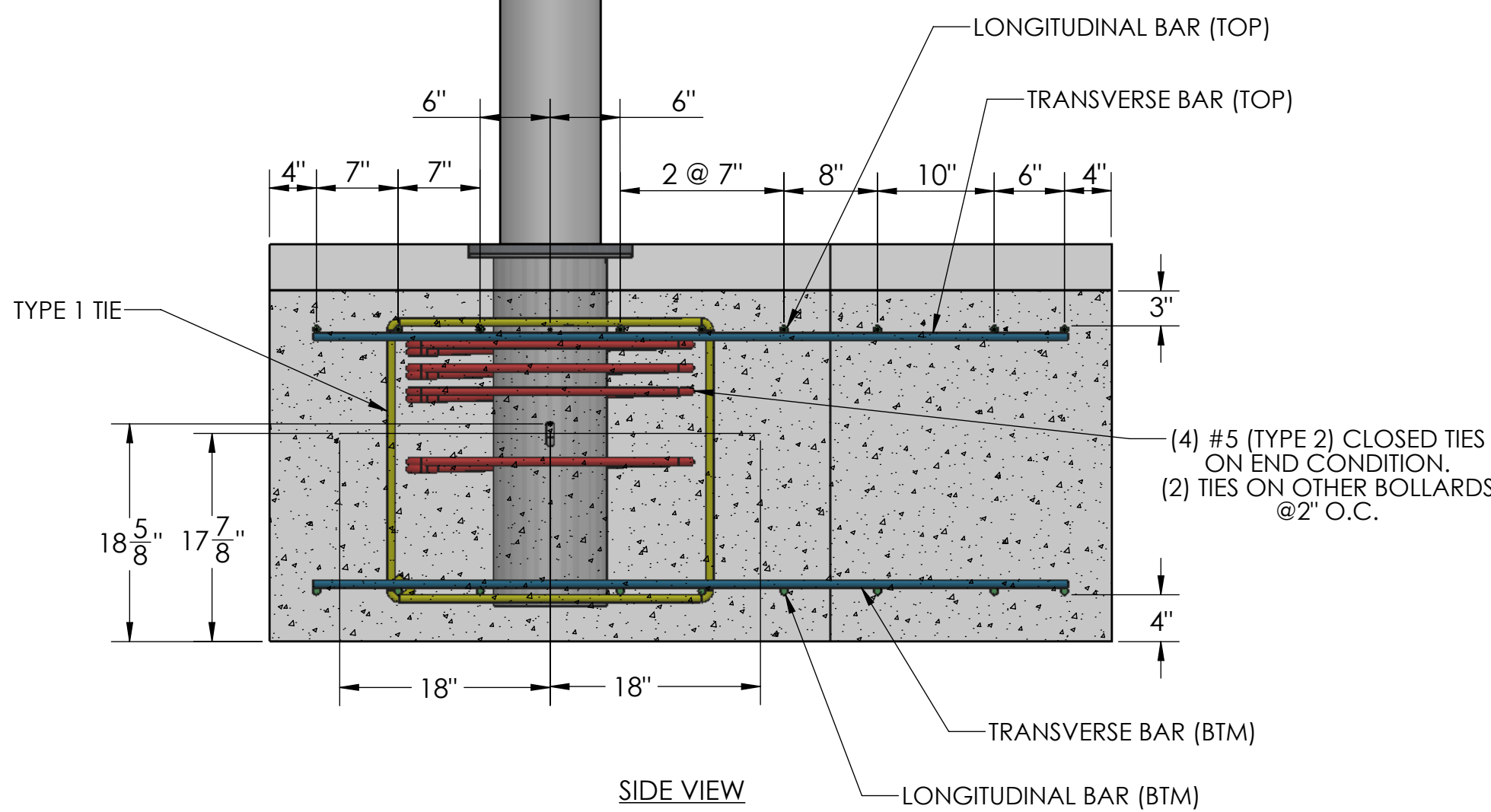
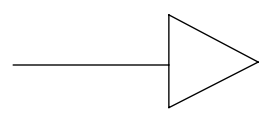
END CONDITION BOLLARD ONLY. MIRROR OPPOSITE END (SEE DETAIL PG. 2)



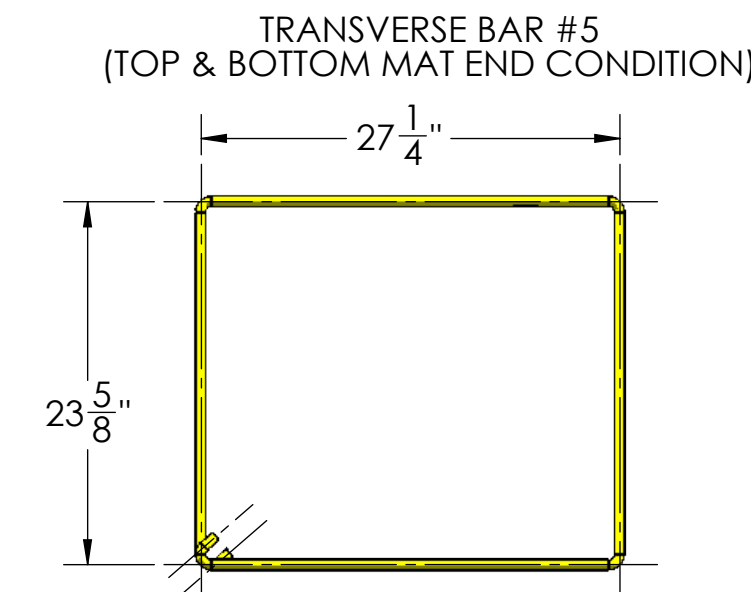
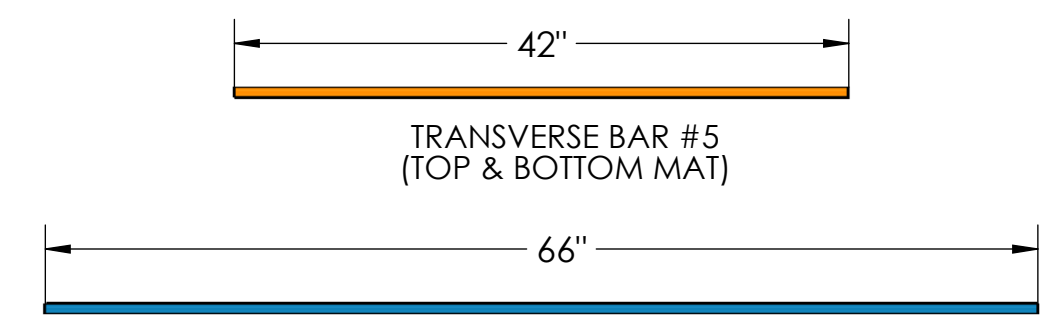
ATTACK

UNLESS OTHERWISE SPECIFIED: DIMENSIONS ARE IN INCHES TOLERANCES: FRACTIONAL: -0" / +1/16" ANGULAR: MACH ±1.0° BEND ±2.5° BREAK ALL SHARP EDGES	DRAWN BY	NAME	DATE	 DESCRIPTION: PU40 REMOVEABLE BOLLARD REV. ITEM NO: BDS-PU40RB36-ST-FD WEIGHT: SHEET 1 OF 3
	CHECKED BY	S.J.	2/10/2020	
	ENG APPR.	J.HU.	2/10/2020	
	MFG APPR.			
MATERIAL	PROPRIETARY AND CONFIDENTIAL THE INFORMATION CONTAINED IN THIS DRAWING IS THE SOLE PROPERTY OF Gordon Bollard and Co ANY REPRODUCTION IN PART OR AS A WHOLE WITHOUT THE WRITTEN PERMISSION OF Gordon Bollard and Co IS PROHIBITED.			
FINISH				
NO MANUAL REVISIONS/CHANGES ALLOWED				

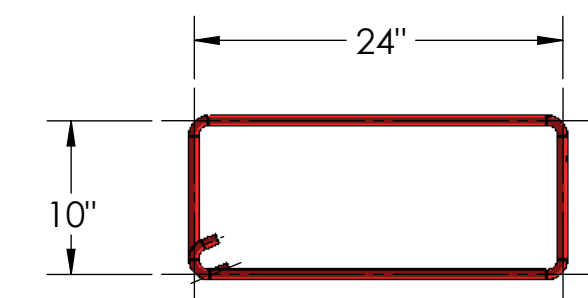
ATTACK



SIDE VIEW



TYPE 1 #5 CLOSED TIE (VERTICAL)



TYPE 2 #5 CLOSED TIE (HORIZONTAL)

(4) #5 (TYPE 2) CLOSED TIES ON END CONDITION.
(2) TIES ON OTHER BOLLARDS @2" O.C.

NOTE: LONGITUDINAL BARS - #5 CONTINUOUS

UNLESS OTHERWISE SPECIFIED: DIMENSIONS ARE IN INCHES TOLERANCES: FRACTIONAL: -0" / +1/16" ANGULAR: MACH ±1.0° BEND ±2.5° BREAK ALL SHARP EDGES		DRAWN BY S.J.	NAME S.J.	DATE 2/10/2020	
MATERIAL		CHECKED BY J.HU.	ENG APPR.	DATE 2/10/2020	
FINISH		MFG APPR.			
NO MANUAL REVISIONS/CHANGES ALLOWED		PROPRIETARY AND CONFIDENTIAL THE INFORMATION CONTAINED IN THIS DRAWING IS THE SOLE PROPERTY OF Gordon Bollard and Co ANY REPRODUCTION IN PART OR AS A WHOLE WITHOUT THE WRITTEN PERMISSION OF Gordon Bollard and Co IS PROHIBITED.			
					DESCRIPTION: PU40 REMOVEABLE BOLLARD
					REV. ITEM NO: BDS-PU40RB36-ST-FD
					WEIGHT:
					SHEET 2 OF 3

1. - GENERAL:

- a. ALL NOTES THIS PAGE ARE APPLICABLE TO THE DRAWINGS AND DETAILS PROVIDED FOR FIXED AND REMOVABLE BOLLARDS ONLY.
- b. THE CONTRACTOR SHALL USE MATERIALS AND EMPLOY CONSTRUCTION METHODS IN ORDER TO COMPLY WITH THE DESIGN DRAWINGS. CONTRACTOR SHALL INFORM THE ENGINEER IN WRITING OF ANY SPECIFIC DEVIATIONS AND OBTAIN ENGINEER'S WRITTEN APPROVAL FROM THE SPECIFIC DEVIATION.
- c. IT IS THE CONTRACTOR'S SOLE RESPONSIBILITY TO FOLLOW ALL APPLICABLE SAFETY CODES AND REGULATIONS DURING ALL PHASES OF CONSTRUCTION
- d. THE CONTRACTOR SHALL VERIFY ALL DIMENSIONS AND EXISTING CONDITIONS.

2. - FOUNDATIONS:


- a. DESIGN "NET" ALLOWABLE SOLID BEARING PRESSURE OF 3000 POUNDS/SQ. FOOT, AT A DEPTH OF 10IN. BELOW ADJACENT GRADE. ALL FOOTING EXCAVATIONS TO BE VERIFIED BY OTHERS. IT IS THE RESPONSIBILITY OF THE CONTRACTOR TO REPORT ADVERSE CONDITIONS.
- b. THE EXCAVATION SHALL BE KEPT DRY AT ALL TIMES. GROUNDWATER SHALL BE REMOVED FROM THE EXCAVATION.
- c. CONTRACTOR SHALL REMOVE ALL LOOSE SOLID OR ROCK FROM THE FOOTING EXCAVATION PRIOR TO CONCRETE PLACEMENT.
- d. SUBGRADE SHALL BE UNIFORMLY COMPACTED TO AT LEAST 95 PERCENT OF THE STANDARD PROCTOR MAXIMUM DRY DENSITY.

3. - CONCRETE:

- a. CONCRETE SHALL CONFORM TO ACI BUILDING CODE 318-14. UNLESS NOTED, CONCRETE SHALL BE NORMAL WEIGHT, 4500 PSI @ 28 DAYS WITH MAX. WATER-CEMENTIOUS MATERIAL RATIO OF 0.45. MAXIMUM SLUMP FOR CONCRETE SHALL BE 5" ± AT POINT OF PLACEMENT.
- b. UNLESS NOTED, CEMENT SHALL CONFORM TO ASTM C150 TYPE II, AGGREGATES SHALL BE NORMAL WEIGHT CONFORMING TO ASTM C33.
- c. CONCRETE SHALL BE AIR-ENTRAINED IN ACCORDANCE WITH ACI 318-14, "TOTAL AIR CONTENT FOR THE CONCRETE EXPOSED TO CYCLES OF FREEZING & THAWING."
- d. HOT WEATHER CONCRETE PLACEMENT SHALL COMPLY WITH ACI 305R. COLD WEATHER CONCRETE PLACEMENT SHALL COMPLY WITH ACI 306R-16.
- e. CONCRETE CURING SHALL COMPLY WITH ACI 308R.
- f. CONCRETE SHALL BE CONSOLIDATED AND SHALL COMPLY WITH ACI 309R.
- g. CONTROL JOINTS SHALL BE SCORED OR SAW-CUT JOINTS (1" DEEP FILLED WITH SEALANT) TO MATCH EXISTING CONDITION AND BE PLACED AT A MAXIMUM SPACING OF 12 FEET ON-CENTER. CONCRETE SURFACES THAT ARE EXPOSED SHALL COMPLY WITH THE BUILDING CODE REQUIREMENTS.

4. - REINFORCING STEEL:

- a. REINFORCING STEEL SHALL CONFORM TO ASTM A-615, GRADE 60. PROVIDE A MINIMUM BAR LAP OF 60 BAR DIAMETERS. STAGGER LAPS WHERE POSSIBLE.
- b. REINFORCING THAT IS WELDED SHALL BE WELDABLE TYPE ASTM A-706.

UNLESS OTHERWISE SPECIFIED:		NAME		DATE						
DIMENSIONS ARE IN INCHES		DRAWN BY	S.J.	2/10/2020						
TOLERANCES:		CHECKED BY	J.HU.	2/10/2020						
FRACTIONAL: -0" / +1/16"		ENG APPR.								
ANGULAR: MACH ±1.0° BEND ±2.5°		MFG APPR.				DESCRIPTION:				
BREAK ALL SHARP EDGES						PU40 REMOVEABLE BOLLARD				
MATERIAL	PROPRIETARY AND CONFIDENTIAL THE INFORMATION CONTAINED IN THIS DRAWING IS THE SOLE PROPERTY OF Gordon Bollard and Co ANY REPRODUCTION IN PART OR AS A WHOLE WITHOUT THE WRITTEN PERMISSION OF Gordon Bollard and Co IS PROHIBITED.					REV.				
FINISH						ITEM NO:				
						BDS-PU40RB36-ST-FD				
NO MANUAL REVISIONS/CHANGES ALLOWED						WEIGHT:				
						SHEET 3 OF 3				