



**BULLARD
BOLLARDS**
Think Bollard Think Bullard

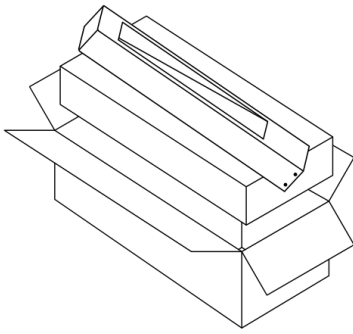
INSTALLATION INSTRUCTION

KOVEN

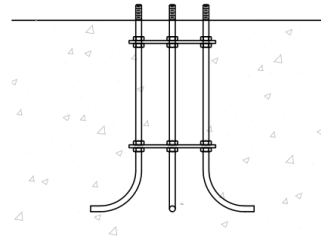
INSTALLATION TYPE:
ANCHOR MOUNT



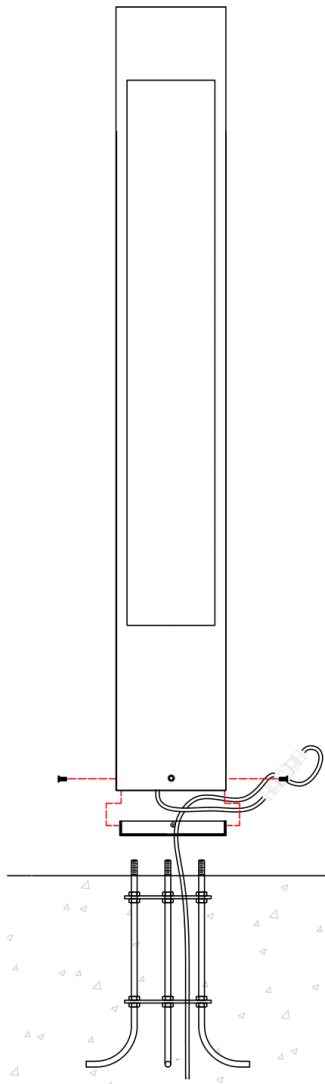
05/09/2025



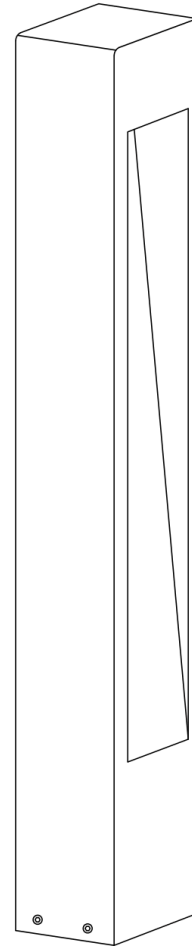
1, Take out the lamps and find the corresponding



2. Fix the embedded parts to the installation position.



3. Connect the wires with IP67 waterproof connectors as shown in the diagram.



sales@gordonbullard.com
www.bullardbollards.com
1 877-964-4646



991 South Gull Lake Dr.
Richland, MI 49083
USA