



BULLARD
BOLLARDS

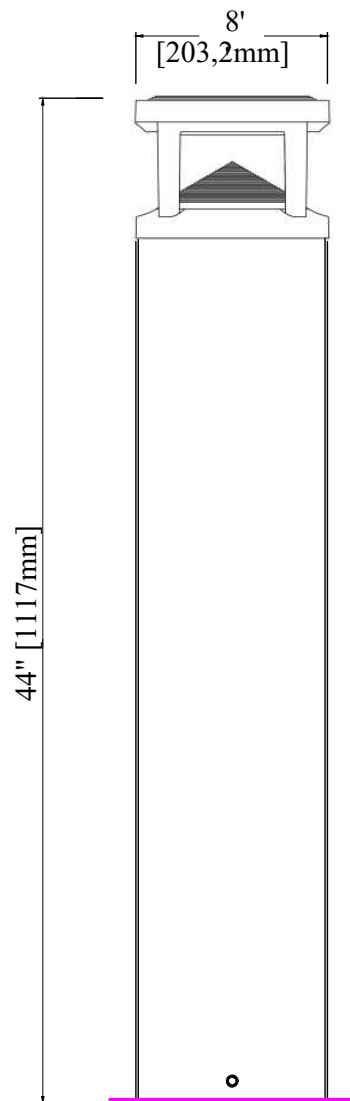
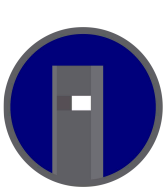


HERCULES SECURITY BOLLARDS

sales@gordonbullard.com
www.bullardbollards.com
1-877-964-4646



991 South Gull Lake Dr
Richland, MI 49083
USA

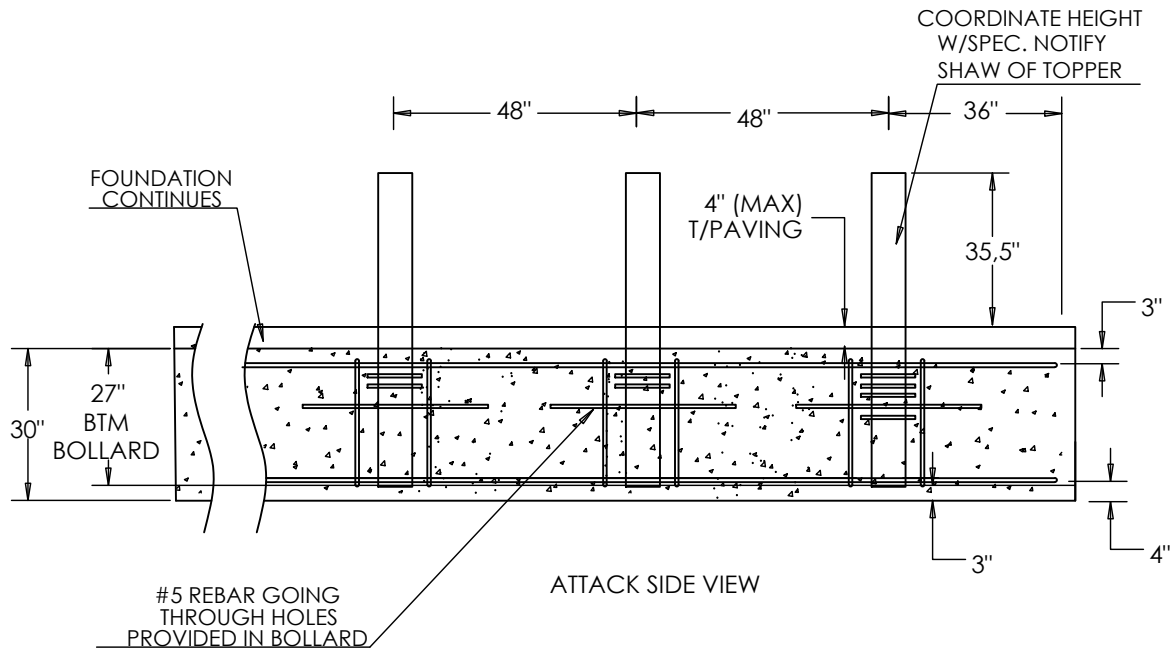


Front view

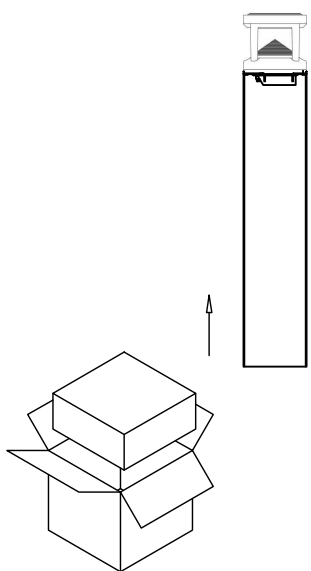


1. Mounting of security base in accordance with ASTM CRASH RATED standards

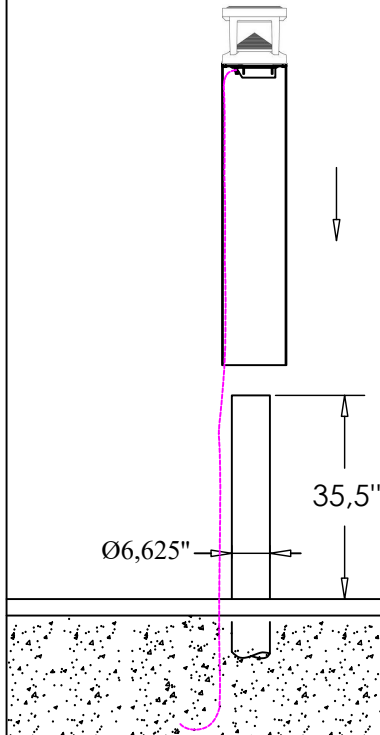
Detailed installation information on page 4,5 and 6



2. Take out the lamps and find the corresponding accessories.



3. Connect the power cord through the three-core waterproof connector
4. Fix the lamp on the embedded ground cage.



5. Lamp size drawing.

