

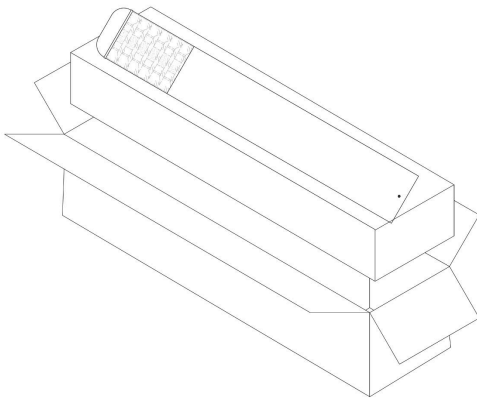


**BULLARD
BOLLARDS**
Think Bollard Think Bullard

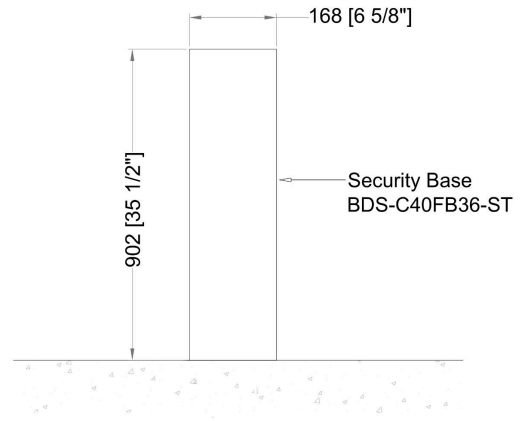
BUCCI SECURITY

INSTALLATION TYPE:
ANCHOR MOUNT

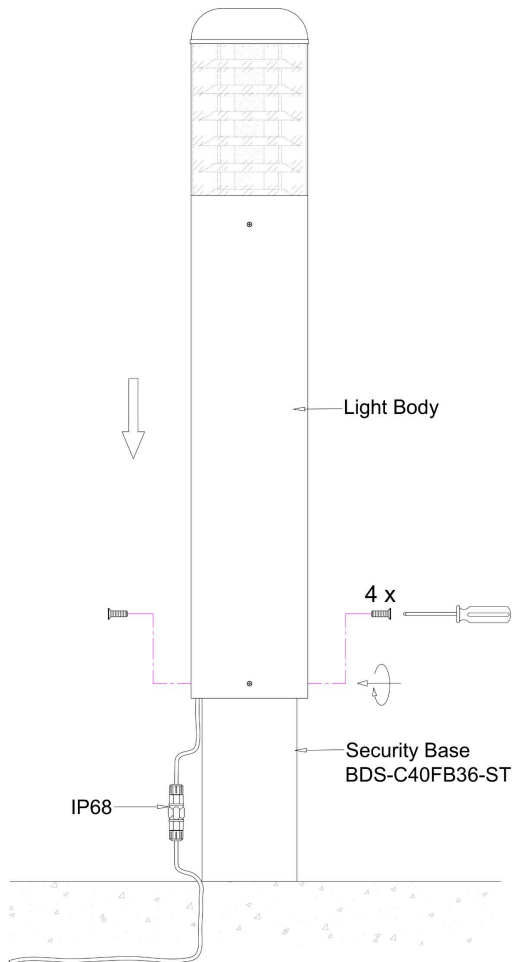




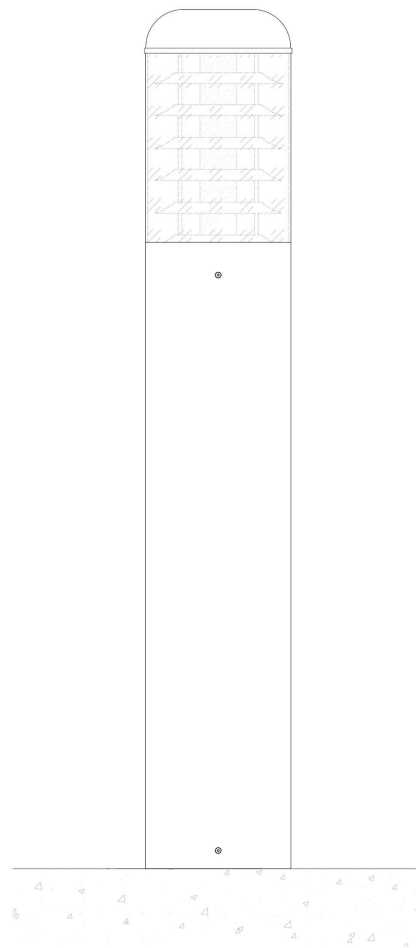
1. Take out the lamps and find the corresponding accessories.



2. Schematic diagram of safety column dimensions.



3. Connect the wires as shown in the diagram and install the light body onto the security base.



P.2

sales@gordonbullard.com
www.bullardbollards.com
 1 877-964-4646



991 South Gull Lake Dr.
 Richland, MI 49083
 USA