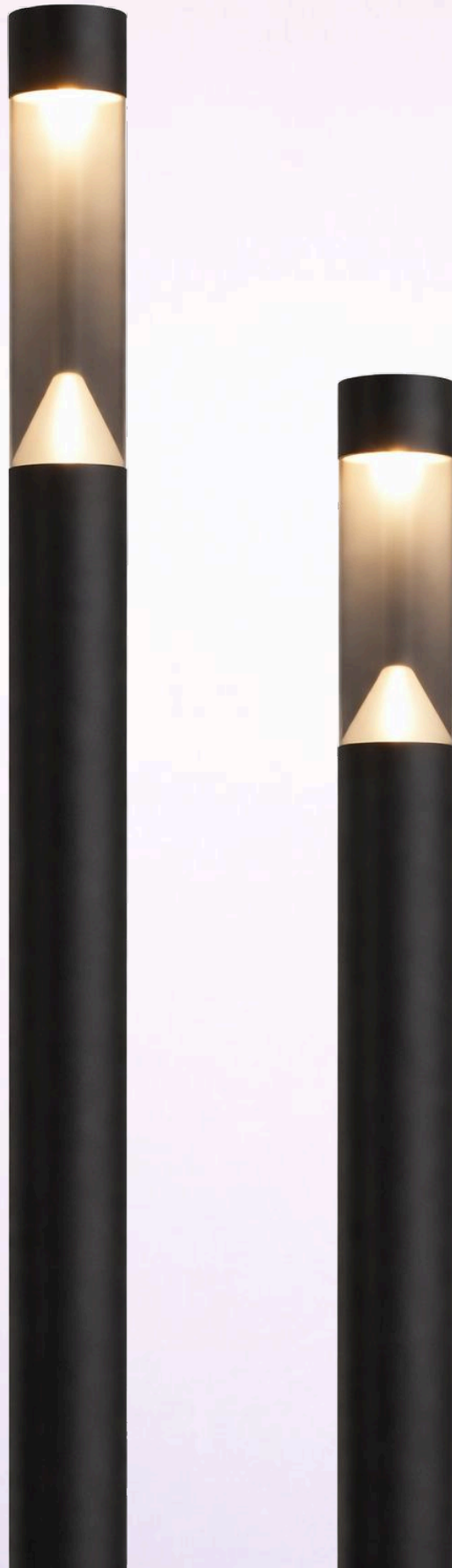




**BULLARD
BOLLARDS**
Think Bollard Think Bullard

MARINA Park/Urban/Garden Pole Luminaires





**BULLARD
BOLLARDS**
Think Bollard Think Bullard

**CODE:
BB-SH-GN-PL**

FIXTURE TYPE: _____

PROJECT NAME: _____

-MRN.00.1507



-MRN.00.1501



GENERAL INFORMATION:

Series of bollards and pole with minimal design available in various heights. Designed to illuminate squares, avenues, paths, parks, walkways and gardens without glaring. With its strong steel base and the construction of the head in high oxidation resistant aluminum alloy which is subjected to nano-bonderite treatment and finished with texturized polyester powder paint, making the product resistant to atmospheric agents and UV rays, guaranteeing maximum protection over the years. The solid construction of the product makes it resistant to winds of over 160km/h and resistant to vandalism. Silicone gaskets ensure maximum sealing in all operating and temperature conditions. The ribbed and opal polycarbonate diffuser silconated directly to the head makes it highly resistant to impact and allows for an homogeneous light distribution. The external screws are in stainless steel and on request also available in a vandal-proof version for those installations on public areas. The inspection door at the base of the pole allows wiring to be carried out quickly and safely. The product is installed using pressure tie rods to be screwed directly into the ground or through tie rods embedded in the concrete.

FIXTURE TYPE:

Urban Luminaires

LIGHTING

LED **LED**

VOLTAGE:

110-277V

MATERIAL:

Die-casting aluminum finishing

LENS:

B57

CRI:

80

IP RATING:

IP 65 **IP65**

IK RATING:

IK 07

BUILT FOR THE STORM



sales@gordonbullard.com
www.bullardoutdoor.com
1-877-964-4646



991 South Gull Lake Dr
Richland, MI 49083
USA

Due to the dynamic nature of lighting products and the associated technologies, luminaire data on all specification sheets is subject to change at the discretion of Gordon Bullard LLC and associated companies.



FIXTURE TYPE: _____

PROJECT NAME: _____

NOTES:

-MRN.00.1507



-MRN.00.1501



HOW TO ORDER:

CODE:

Example:
CODE: BB-SH-GN-PL-MRN.00.1507-CGXT.300-AG-AC429

BB-SH-GN-PL-
MRN.00.1507-
CGXT.300-AG-AC429

1

MODELS:

CODE -MRN.00.1501

-LFXT.300

DIMENSIONS:

Diameter (D): 7.59" [19.3 cm]

Height/Projection (H): 94.48" [240 cm]

LIGHT SOURCE:

LED / 45.2 W / 3000K / 6860 lm

Luminaire efficiency: 45.9 lm/W

Fixture consumption: 51.4 W

Luminaire emission[lm]: 1X2358

OPTICAL:

Beam angle: 360°

Light distribution: Other

Beam directionability: Fixed optics

-LFXT.400

DIMENSIONS:

Diameter (D): 7.59" [19.3 cm]

Height/Projection (H): 157.48" [400 cm]

LIGHT SOURCE:

LED / 45.2 W / 4000K / 7376 lm

Luminaire efficiency: 49.4 lm/W

Fixture consumption: 51.4 W

Luminaire emission[lm]: 1X2535

OPTICAL:

Beam angle: 360°

Light distribution: Other

Beam directionability: Fixed optics



sales@gordonbullard.com

www.bullardoutdoor.com

1-877-964-4646



991 South Gull Lake Dr

Richland, MI 49083

USA



**BULLARD
BOLLARDS**
Think Bullard Think Bullard

**CODE:
BB-SH-GN-PL**

FIXTURE TYPE: _____

PROJECT NAME: _____

NOTES:

-MRN.00.1507



-MRN.00.1501



HOW TO ORDER:

CODE:

Example:
CODE: BB-SH-GN-PL-MRN.00.1507-CGXT.300-AG-AC429

BB-SH-GN-PL-
MRN.00.1507-
CGXT.300-AG-AC429

1

MODELS:

CODE -MRN.00.1507

-CGXT.300

DIMENSIONS:

Diameter (D): 7.59" [19.3 cm]

Height/Projection (H): 94.48" [240 cm]

LIGHT SOURCE:

LED / 25.2 W / 3000K / 3100 lm

Luminaire efficiency: 37.2 lm/W

Fixture consumption: 28.6 W

Luminaire emission[lm]: 1X1065

OPTICAL:

Beam angle: 360°

Light distribution: Other

Beam directionability: Fixed optics

-CGXT.400

DIMENSIONS:

Diameter (D): 7.59" [19.3 cm]

Height/Projection (H): 94.48" [240 cm]

LIGHT SOURCE:

LED / 25.2 W / 4000K / 3146 lm

Luminaire efficiency: 37.8 lm/W

Fixture consumption: 28.6 W

Luminaire emission[lm]: 1X1081

OPTICAL:

Beam angle: 360°

Light distribution: Other

Beam directionability: Fixed optics



sales@gordonbullard.com

www.bullardoutdoor.com

1-877-964-4646



991 South Gull Lake Dr

Richland, MI 49083

USA



FIXTURE TYPE: _____

PROJECT NAME: _____

NOTES:

-MRN.00.1507



-MRN.00.1501



HOW TO ORDER:

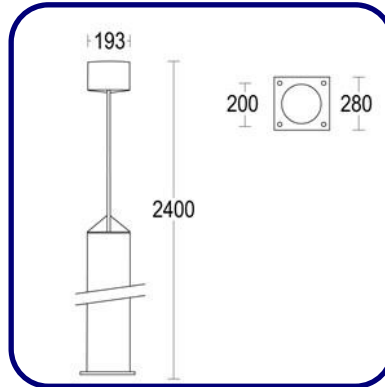
CODE:

Example:
CODE: BB-SH-GN-PL-MRN.00.1507-CGXT.300-AG-AC429

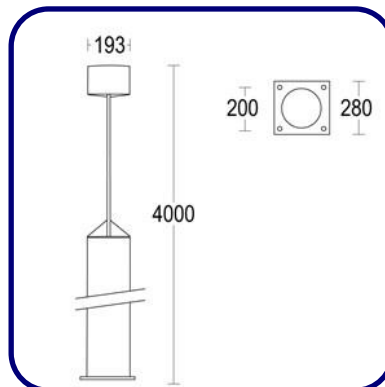
BB-SH-GN-PL-
MRN.00.1507-
CGXT.300-AG-AC429

2 DRAWINGS:

CODE -MRN.00.1507



CODE -MRN.00.1501



3 FINISH OPTIONS:

STANDARD FINISHES

- AG Anthracite grey(matt)
- LG Light grey(matt)

CUSTOM REQUEST FINISHES

- WM White matt
- BR Bronze
- AGM Antique grey matt
- SM Sand matt
- BM Black matt
- CM Corten matt
- BLM Blue matt
- GM Green matt



sales@gordonbullard.com
www.bullardoutdoor.com
1-877-964-4646



991 South Gull Lake Dr
Richland, MI 49083
USA



**BULLARD
BOLLARDS**
Think Bullard Think Bullard

**CODE:
BB-SH-GN-PL**

FIXTURE TYPE: _____

PROJECT NAME: _____

NOTES:

-MRN.00.1507



-MRN.00.1501



HOW TO ORDER:

CODE:

Example:
CODE: BB-SH-GN-PL-MRN.00.1507-CGXT.300-AG-AC429

BB-SH-GN-PL-
MRN.00.1507-
CGXT.300-AG-AC429

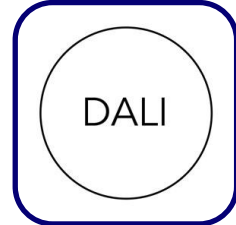
4

ACCESSORIES

-AC429



-ED40



sales@gordonbullard.com
www.bullardoutdoor.com
1-877-964-4646



991 South Gull Lake Dr
Richland, MI 49083
USA