



BULLARD
BOLLARDS



THE BETSY Bollard

sales@gordonbullard.com

www.bullardbollards.com

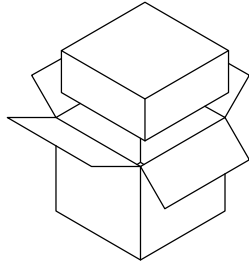
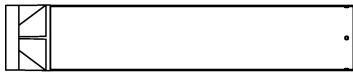
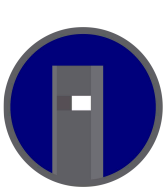
1-877-964-4646



991 South Gull Lake Dr

Richland, MI 49083

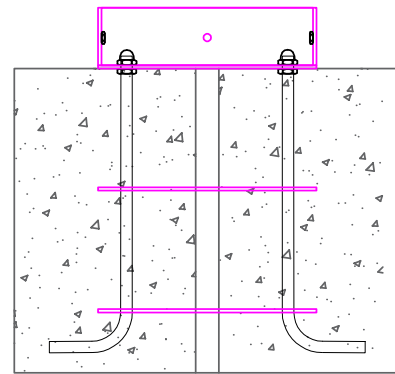
USA



1. Unpack fixture and verify all components are present.

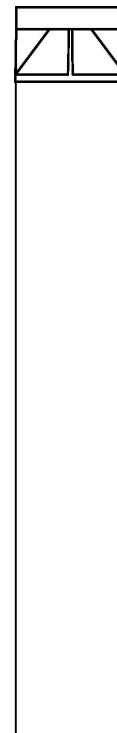
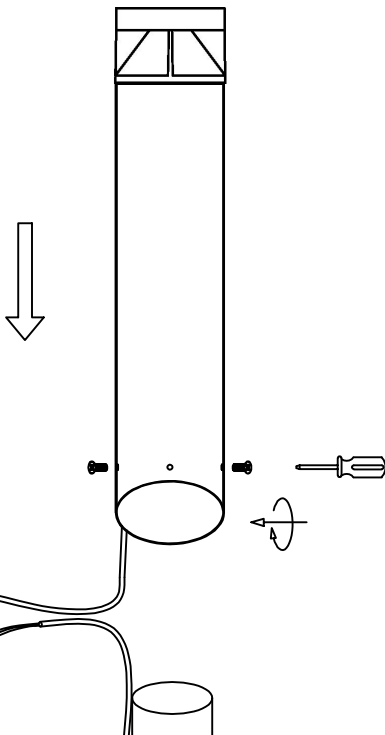
PRECONDITIONS:

Conduit must extend 1"-3" above finished concrete.
Supply wires must not exceed 12" above conduit.



2. Install the supplied pre-assembled anchor base into the concrete footing, ensuring drainage directs water away from the fixture. The top plate must be flush with the finished surface.

3. Once the footing is level and fully cured, position the mounting plate and apply a continuous bead of silicone sealant between the plate and the mounting surface. Tighten the nuts evenly until secure. Do not overtighten.

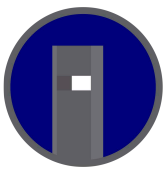


4. Disconnect power before wiring. Connect the power supply in accordance with the diagram provided in this manual. Ensure grounding connection is secure.

5. Put the lamp body into the anchor base assembly and fix it. Tighten the set screws evenly until luminaire is held firmly in position. Ensure fixture is vertical and level.

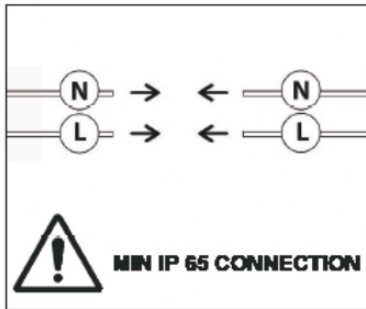
6. Energize fixture and verify operation.



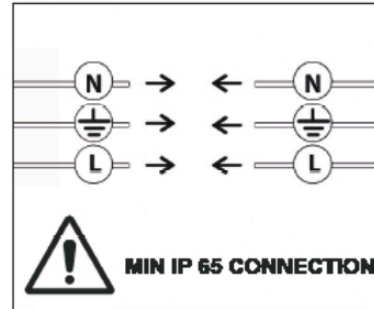


CONNECTION

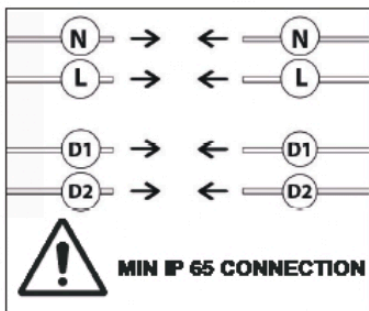
 **ConneSSIONE Classe II / Class II Connection**



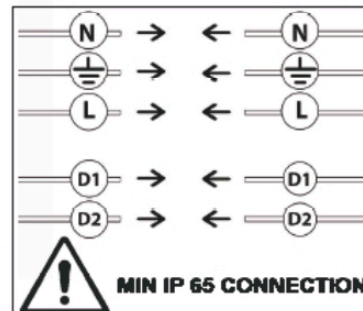
 **ConneSSIONE Classe I / Class I connection**



 **ConneSSIONE Classe II DALI / Class II DALI Connection**



 **ConneSSIONE Classe I DALI / Class I DALI Connection**



Electrical connection steps:

1. Connect light source wires to the LED driver output (+ to +, - to -).
2. Connect the mains voltage to the LED driver input (L to L, N to N).

! Caution - main voltage range is 110-277V AC !

! Always verify polarity and function markings on the driver label before making connections.

3. Place the LED driver inside the lamp base.
4. Install the lamp base into the base plate and fix with the screws.

WARNING:

- The safety of this fixture is guaranteed only if you comply with these instructions.
- The appliance must not be tampered with or transformed and it must be installed and used as supplied and in compliance with the national rules on installations.
- Switch-off the power supply before carrying out any maintenance operations. Hot plugging is not allowed and may cause damage to the luminaire.
- Installation must be performed by a licensed electrician in accordance with NEC and local codes.
- Improper installation voids warranty.