



**BULLARD  
BOLLARDS**  
Think Bollard Think Bullard

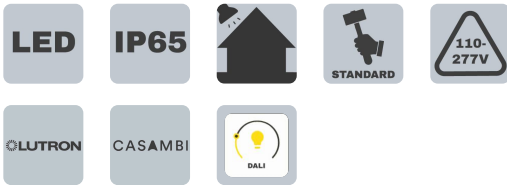
**CHARTA**  
BB-CHRT-BL





FIXTURE TYPE: \_\_\_\_\_

PROJECT NAME: \_\_\_\_\_



**GENERAL INFORMATION:**

The CHARTA by Bullard Bollards is a sculptural outdoor bollard luminaire made from premium BETALY®, showcasing a sleek, modern silhouette that merges art and function. With a distinctive asymmetric form and integrated 4.5W LED light source, CHARTA offers a soft, ambient glow ideal for architectural pathways and landscape accents. Available in warm color temperatures of 2200K, 2700K, or 3000K with lumen outputs ranging from 605 to 670 lm, it supports multiple dimming protocols including Casambi, Dali, Lutron, and 0-10V. Measuring 25.6" tall with a base of 10.24" x 9.06", it features an IP65 rating for outdoor durability, and comes in a range of natural matte finishes like white, green, corten, grey, black, and sand. Combining high design and reliable performance, CHARTA is an elegant choice for refined outdoor environments.

**FIXTURE TYPE:**

Bollard

**VOLTAGE:**

110-277V



**MATERIAL:**

BETALY®

**DRIVER POSITION:**

Integral

**IP RATING:**

IP65



**WARRANTY:**

LED lighting products are warranted for 5 years.

**MAIN FEATURES:**

- High visual comfort
- Available in a wide range of finishes
- Functional and minimalistic design
- Operating Temperature: -104°F to +140°F.

**THINK BOLLARD - THINK BULLARD**

sales@gordonbullard.com  
www.bullardbollards.com  
1-877-964-4646

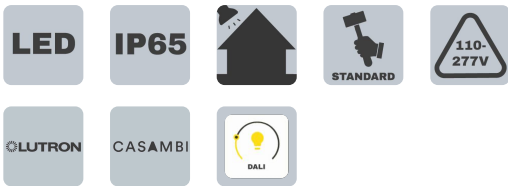
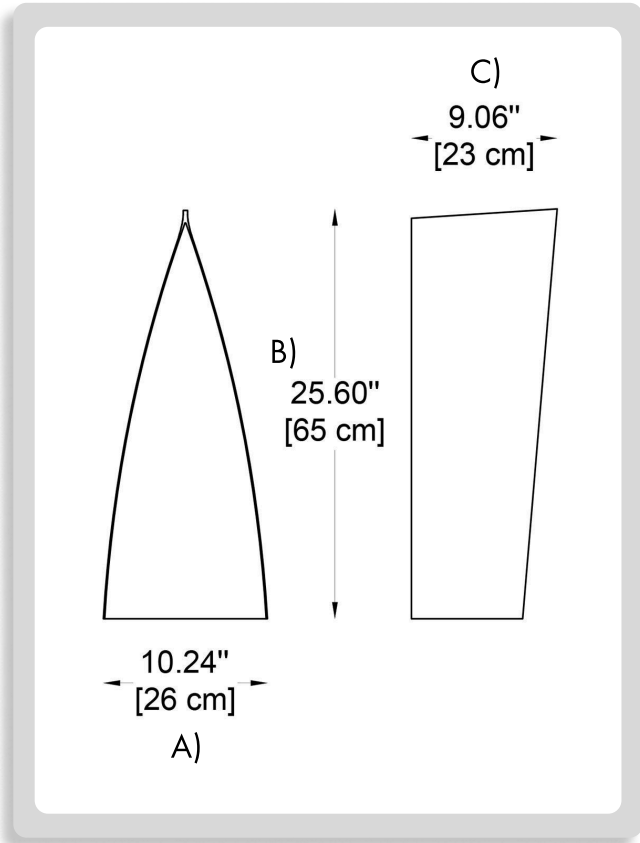


991 South Gull Lake Dr  
Richland, MI 49083  
USA



FIXTURE TYPE: \_\_\_\_\_

PROJECT NAME: \_\_\_\_\_



**HOW TO ORDER:**

**CODE:**

Example:  
CODE: BB-CHRT-BL-K22-DIM-GN

BB-CHRT-BL  
-K22-DIM-GN

**1 DIMENSIONS:**

A) Length - L: 10.24" (26 cm)  
B) Height - H: 25.60" (65 cm)  
C) Width - W: 9.06" (23 cm)

**2 LIGHT SOURCE:**

LED | 4,5W | 110-277V | CRI80

**3 CCT & LUMENS:**

-K22 2200K = 605 lm  
-K27 2700K = 635 lm  
-K30 3000K = 670 lm

**4 DIMMING OPTIONS:**

-NON NON-Dimmable  
-DIM 0-10V  
-CAS Casambi  
-LUT Lutron  
-DAL Dali

**5 FINISH OPTIONS:**

-WH White ●  
-GN Green ●  
-CO Corten ●  
-GR Grey ●  
-BL Black ●  
-SD Sand ●

**THINK BOLLARD - THINK BULLARD**

sales@gordonbullard.com  
www.bullardbollards.com  
1-877-964-4646



991 South Gull Lake Dr  
Richland, MI 49083  
USA