



**BULLARD
BOLLARDS**
Think Bollard Think Bullard

BUNNY FLASH (INGROUND LUMINAIRES)



FIXTURE TYPE: _____

PROJECT NAME: _____

NOTES:



GENERAL INFORMATION:

The Bunny Flash by Bullard Bollards transforms outdoor pathways into architectural features by embedding a powerhouse of precision light underfoot, sculpting surfaces with a pure, transparent glow. Built to endure rain, UV exposure, and even pedestrian or slow vehicular contact without compromise, it blends industrial resilience with refined finish options. Its secret weapon is an advanced anti-moisture system that protects performance where others fail, keeping illumination consistent from dusk till dawn.

FIXTURE TYPE:

Inground Luminaires

LIGHTING:

LED

INPUT VOLTAGE:

110-277V

MATERIAL:

Die-cast aluminum EN AB 44100 highly resistant to oxidation

GASKETS:

Silicone gaskets

EXTERNAL SCREWS:

Stainless steel A4-70 treated with highly antioxidant water-repellent lubricating solution

FINISH AND PROTECTION:

Primary treatment with nanoceramic conversion. Secondary treatment by application of protective epoxy primer. Protective finish with textured polyester powder coating, resistant to weathering and UV rays

ROUGH IN HOUSING:

Polypropylene to be ordered separately

DRAINAGE:

30cm of gravel or draining material.
Alternatively, draining piping system.

STATIC LOAD:

5511.6 lb - Drive-over max 10km/h

CRI:

>90

THINK BOLLARD - THINK BULLARD

sales@gordonbullard.com
www.bullardbollards.com
1-877-964-4646



991 South Gull Lake Dr
Richland, MI 49083
USA



**BULLARD
BOLLARDS**
Think Bullard Think Bullard

**CODE:
BB-5375.00BRXT-GH**

FIXTURE TYPE: _____

PROJECT NAME: _____

NOTES:



DRIVER POSITION:

Integral

IP RATING:

IP67

APPLINCE CLASS:

I

CUTOUT SHAPE:

Round

CABLE ENTRY:

Metal cable gland M20 Ø 0.7/1.3 cm

CABLE TYPE:

H07RN8-F 3x0.01 cm²

WATER-LOCK SYSTEM:

Cable gland with anti-moisture suction system, preventing the capillary rise of water or condensation along the cable and ensuring maximum protection of the luminaire body and electrical components.

CORD LENGTH:

50 cm

LIGHT DISTRIBUTION:

360° Other

BEAM DIRECTIONABILITY:

Fixed optics

DIFFUSER MATERIAL/FINISH/TEMPERATURE:

Tempered glass 0.5cm /Transparent - extra clear/ < 313.15 K (< 40 °C)

WARRANTY:

LED lighting products are warranted for 5 years.

MAIN FEATURES:

- Wide range of finishes
- Evocative / Functional design
- Resistant to vandalism
- Operating Temperature: 253.15 K ÷ 308.15 K (-20 °C ÷ +35 °C)
- Increased temperature to 323.15 K (50°C)
- * upon request previous specific components and test



THINK BOLLARD - THINK BULLARD

sales@gordonbullard.com
www.bullardbollards.com
1-877-964-4646

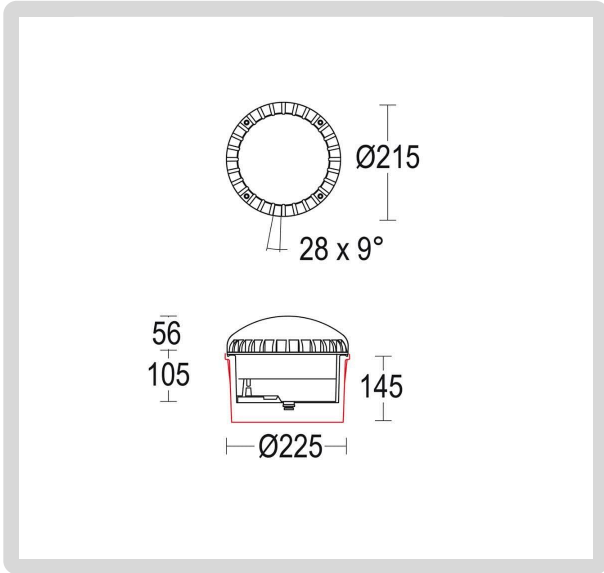


991 South Gull Lake Dr
Richland, MI 49083
USA



FIXTURE TYPE: _____

PROJECT NAME: _____



HOW TO ORDER:

CODE:

Example:
CODE: BB-5375.00BRXT-GH-K30-DIM-02
-AC010-ED-10

BB-5375.00BRXT-
GH-K30-DIM-02
-AC010-ED-10

1 DIMENSIONS:

Diameter - Ø: 8.46" (21.5 cm)
Recessed hole diameter - Ø: 8.86" (22.5 cm)
Recessed depth - h: 5.71" (14.5 cm)

2 BEAM ANGLE:

360°

3 LIGHT SOURCE:

LED / 1 x 11.3W / 110-277 V / 60 Hz

4 CCT&LUMENS:

-K30 3000K = 1715 lm
-K40 4000K = 1844 lm

5 DIMMING OPTIONS:

-NON NON-Dimmable
-DIM 0-10V
-CAS Casambi
-LT Lutron
-DAL Dali

6 FINISH OPTIONS:

-01 White matt
-02 Black matt
-05 Anthracite grey matt
-19 Light grey matt
-26 Bronze
-45 Corten matt
-62 Antique grey matt
-65 Blue matt
-80 Sand matt
-83 Green matt



THINK BOLLARD - THINK BULLARD

sales@gordonbullard.com
www.bullardbollards.com
1-877-964-4646



991 South Gull Lake Dr
Richland, MI 49083
USA

FIXTURE TYPE: _____

PROJECT NAME: _____

HOW TO ORDER:

CODE:

Example:
CODE: BB-5375.00BRXT-GH-K30-DIM-02
-AC010-ED-10

BB-5375.00BRXT-
GH-K30-DIM-02
-AC010-ED-10

7 ACCESSORIES:

-AC010

SPD 10kV IP66 C I - Serie



-AC204

IP 68 fast connector 4P



-AC017

Rough-in housing 225x140



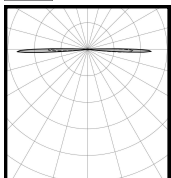
-ED-10

DALI Optional

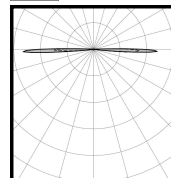


8 PHOTOMETRY:

360° / 3000K



360° / 4000K



THINK BOLLARD - THINK BULLARD

sales@gordonbullard.com
www.bullardbollards.com
1-877-964-4646



991 South Gull Lake Dr
Richland, MI 49083
USA