



**BULLARD  
BOLLARDS**  
Think Bollard Think Bullard

**C-RIDGE DARK 2L**

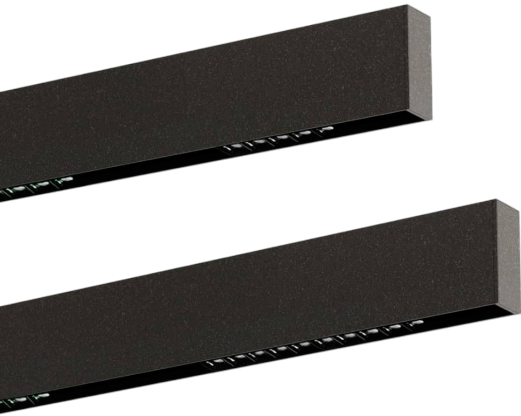




FIXTURE TYPE: \_\_\_\_\_

PROJECT NAME: \_\_\_\_\_

NOTES:



**GENERAL INFORMATION:**

The C-RIDGE DARK 2L it is a series of linear ceiling luminaires characterized by excellent visual comfort. Available in various lengths. Designed for the lighting of both internal and external environments thanks to the wide availability of optics and powers. The construction of the body and the closing caps of the diffuser are in aluminum alloy with high resistance to oxidation subjected to treatment with nano-bonderite and textured polyester powder coating, making the product resistant to atmospheric agents and UV rays, guaranteeing maximum protection. During the years. The silicone gaskets ensure maximum sealing in all operating conditions and temperatures. The ultra-transparent tempered sodium-calcium glass diffuser that guarantees maximum light transmittance is finished with a silk-screened border. The product is installed thanks to the fixing system with sliding steel plate. The back of the product consists of a channel to house the cables and allow for easy connection.

**LIGHTING:**

LED



**VOLTAGE:**

110-277V



**GASKETS:**

Silicone gaskets

**FIXTURE TYPE:**

Ceiling Luminaires

**MATERIAL:**

Extruded aluminum EN AW-6060 T5 high resistance to oxidation, Die-cast aluminum EN AB 44100 highly resistant to oxidation

**EXTERNAL SCREWS:**

Stainless Steel A4

**DIFFUSER MATERIAL:**

Tempered glass 4mm

**IP RATING:**

IP 66



**APPLINCE CLASS:**

I



**THINK BOLLARD - THINK BULLARD**

sales@gordonbullard.com

www.bullardbollards.com

1-877-964-4646



991 South Gull Lake Dr

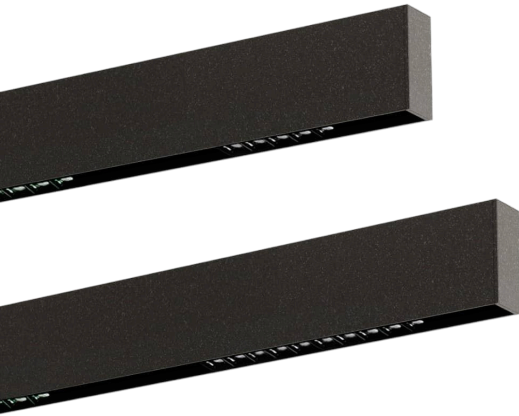
Richland, MI 49083

USA

FIXTURE TYPE: \_\_\_\_\_

PROJECT NAME: \_\_\_\_\_

NOTES:



**OPERATION RANGE:**

110-277V - 50/60 Hz

**DRIVER POSITION:**

Integral

**CRI:**

>90

**CABLE ENTRY / CABLE TYPE:**

Brass cable gland M16 Ø 5/10 mm / H05RN-F 3x1mm<sup>2</sup>

**CORD LENGTH:**

1 m

**LIGHT DISTRIBUTION:**

12° - Symmetrical narrow beam (<= 15°)  
25° - Symmetrical medium flood (15° - 45°)  
50° - Symmetrical wide beam (45° - 125°)  
19° x 32° - 2 Axis symmetrical

**BEAM DIRECTIONABILITY:**

Fixed optics

**OPTICS:**

Anti UV technopolymer lens

**SECONDARY OPTICS:**

Black anti UV technopolymer reflector

**WARRANTY:**

LED lighting products are warranted for 5 years.

**MAIN FEATURES:**

High visual comfort  
Wide range of finishes  
Functional design / Minimal design  
Operating Temperature: -22°F~122°F

**THINK BOLLARD - THINK BULLARD**

sales@gordonbullard.com

www.bullardbollards.com

1-877-964-4646



991 South Gull Lake Dr

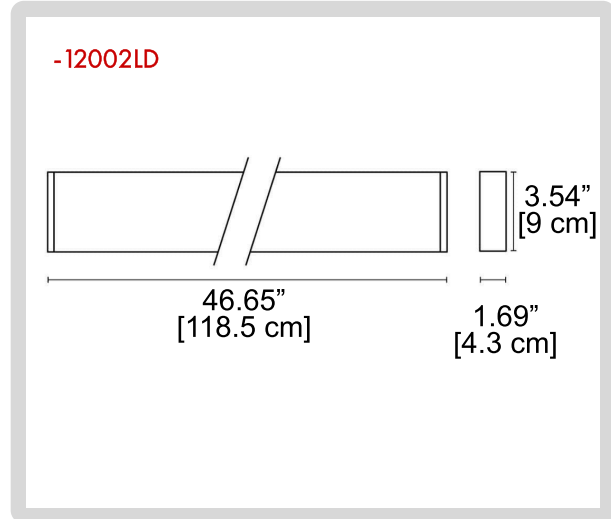
Richland, MI 49083

USA



FIXTURE TYPE: \_\_\_\_\_

PROJECT NAME: \_\_\_\_\_



**HOW TO ORDER:**

**CODE:**

Example:  
CODE: BB-001588.FGHT-GH-12002LD-B1-L1-NON-AC204-01

BB-001588.FGH  
T-GH-12002LD-  
B1-L1-NON-  
AC204-01

**1 MODELS:**

**-12002LD**

- A) Length - L: 46.65" [118.5 cm]
- B) Width - W: 1.69" [4.3 cm]
- C) Height - H: 3.54" [9 cm]

**2 BEAM ANGLE:**

- B1** 12°
- B2** 25°
- B3** 50°
- B4** 19° x 32°

**3 LIGHT SOURCE:**

- L1\*** LED | 2 x 10.5W | 2700-6500 | 2 x 1092 lm | 110-277V
- L2\*** LED | 2 x 10.5W | 3000K | 2 x 982 lm | 110-277V
- L3** LED | 2 x 16W | 3000K | 2 x 1473 lm | 110-277V
- L4** LED | 2 x 10.5W | 4000K | 2 x 1090 lm | 110-277V
- L5** LED | 2 x 16W | 4000K | 2 x 1635 lm | 110-277V

NOTE: L1\* - Only for 12°, 25°, and 50° beam angles  
L2\* - Only for 25°, 50°, and 19° x 32° beam angles

**4 DIMMING OPTIONS:**

- NON** NON-Dimmable
- DIM** 0-10V
- DAL** Dali

**THINK BOLLARD - THINK BULLARD**

sales@gordonbullard.com  
www.bullardbollards.com  
1-877-964-4646

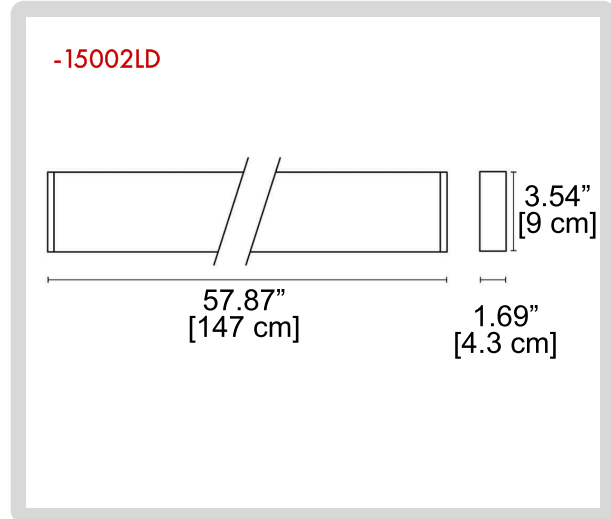


991 South Gull Lake Dr  
Richland, MI 49083  
USA



FIXTURE TYPE: \_\_\_\_\_

PROJECT NAME: \_\_\_\_\_



**HOW TO ORDER:**

**CODE:**

Example:  
CODE: BB-001588.FGHT-GH-12002LD-B1-L1-  
NON-AC204-01

BB-001588.FGH  
T-GH-12002LD-  
B1-L1-NON-  
AC204-01

**1 MODELS:**

**-15002LD**

- A) Length - L: 57.87" [147 cm]
- B) Width - W: 1.69" [4.3 cm]
- C) Height - H: 3.54" [9 cm]

**2 BEAM ANGLE:**

- B1** 12°
- B2** 25°
- B3** 50°
- B4** 19° x 32°

**3 LIGHT SOURCE:**

- L1\*** LED | 2 x 21W | 2700-6500 | 2 x 2184 lm | 110-277V
- L2** LED | 2 x 21W | 3000K | 2 x 1964 lm | 110-277V
- L3** LED | 2 x 32W | 3000K | 2 x 2946 lm | 110-277V
- L4** LED | 2 x 21W | 4000K | 2 x 2180 lm | 110-277V
- L5** LED | 2 x 32W | 4000K | 2 x 3270 lm | 110-277V

NOTE: L1\* - Only for 12°, 25°, and 50° beam angles

**4 DIMMING OPTIONS:**

- NON** NON-Dimmable
- DIM** 0-10V
- DAL** Dali

**THINK BOLLARD - THINK BULLARD**

sales@gordonbullard.com  
www.bullardbollards.com  
1-877-964-4646

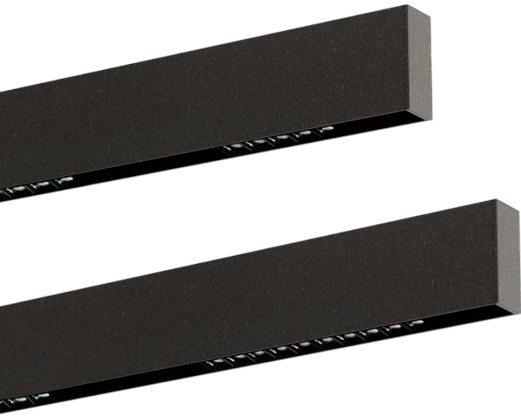


991 South Gull Lake Dr  
Richland, MI 49083  
USA

FIXTURE TYPE: \_\_\_\_\_

PROJECT NAME: \_\_\_\_\_

NOTES:



**HOW TO ORDER:**

**CODE:**

**Example:**  
CODE: BB-001588.FGHT-GH-12002LD-B1-L1-  
NON-AC204-01

BB-001588.FGH  
T-GH-12002LD-  
B1-L1-NON-  
AC204-01

**5 ACCESSORIES:**

**-AC204**

IP 68 fast  
connector 4P



**-AC204-5P**

IP 68 fast  
connector 5P



**6 FINISH OPTIONS:**

- 01 White matt
- 02 Black matt
- 05 Anthracite grey matt
- 19 Light grey matt
- 26 Bronze
- 45 Corten matt
- 62 Antique grey matt
- 65 Blue matt
- 80 Sand matt
- 83 Green matt

**THINK BOLLARD - THINK BULLARD**

sales@gordonbullard.com  
www.bullardbollards.com  
1-877-964-4646



991 South Gull Lake Dr  
Richland, MI 49083  
USA