



**BULLARD
BOLLARDS**
Think Bollard Think Bullard

FLEX 360 R13
BB-FLX360R13-CL





FIXTURE TYPE: _____

PROJECT NAME: _____



GENERAL INFORMATION:

The FLEX 360 FORM Collection is a premium round-profile LED neon flex delivering true 360° omnidirectional illumination with integrated shape-retention capability. Engineered with advanced silicone extrusion technology and an internal support structure, it can be bent and formed while maintaining the desired shape without continuous mounting supports. The seamless silicone housing ensures smooth, dot-free illumination with consistent brightness from every viewing angle. This pose-able design allows the creation of suspended forms, curves, and three-dimensional lighting features for architectural and decorative applications. Designed for both indoor and outdoor use, the FLEX 360 FORM series features durable, UV-resistant silicone housing with high ingress protection ratings for long-term reliability. Available in multiple diameters and white light color temperatures, including 2300K, 2700K, 3000K, and 4000K. The system is supplied in fixed lengths with no field cutting allowed, ensuring consistent electrical performance, and is compatible with standard LED drivers.

FIXTURE TYPE:

360 LED Neon Flexible

MATERIAL:

High Purity Silica Gel

IP RATING:

IP65

IP65

IK RATING:

IK08

IK08

WARRANTY:

LED lighting products are warranted for 5 years.

DRIVER POSITION:

Remote

MAIN FEATURES:

Functional and minimalistic design
Skin-friendly surface treatment
Operating Temperature: -13°F to +131°F.

THINK BOLLARD - THINK BULLARD

sales@gordonbullard.com
www.bullardbollards.com
1-877-964-4646

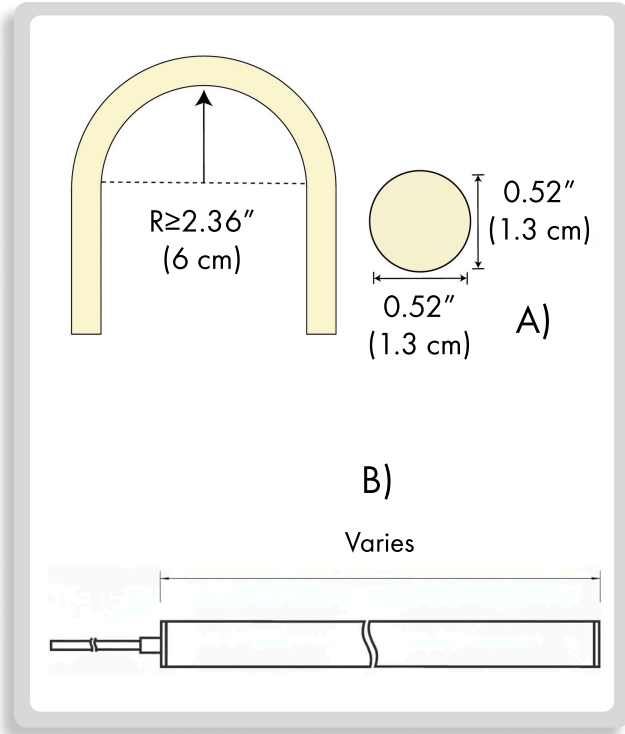


991 South Gull Lake Dr
Richland, MI 49083
USA



FIXTURE TYPE: _____

PROJECT NAME: _____



HOW TO ORDER:

CODE:

Example:
CODE: BB-FLX360R13-CL-LS1-AS-NNR13GH0-
EC-402-02-000000-00001-402-02-000000-00013

BB-FLX360R13-CL-LS1-
AS-NNR13GH0-
EC-402-02-000000-0
0001-402-02-000000
-00013

1 DIMENSIONS:

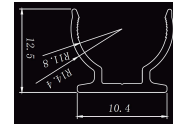
A) Diameter - Ø: 0.52" (1.3 cm)
B) Length - L: Varies

2 LIGHT SOURCE:

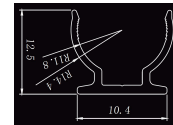
CODE	INPUT VOLTAGE	CCT	RATED POWER	CRI	LENGTH	LUMENS	CUTTING
-LS1	24VDC	2300 K	8.6W (2.62W/ft)	90	16.4ft	585 (178/ft)	No cutting 14LED/0.98"
-LS2		2700 K				670 (204/ft)	
-LS3		3000 K				670 (204/ft)	
-LS4		4300 K				670 (204/ft)	
-LSS1	48VDC	2300 K			32.8ft	585 (204/ft)	No cutting 28LED/1.97"
-LSS2		2700 K				670 (204/ft)	
-LSS3		3000 K				670 (204/ft)	
-LSS4		4300 K				670 (204/ft)	

3 ACCESSORIES:

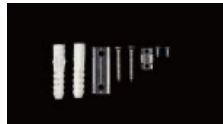
-AS-NNR13P-1000
Flat mounting PC groove
L1000*W10.4*H12.5mm



-AS-NNR13P-15
Flat mounting PC groove
1PCS/0.5m



-AS-NNR13DCX-XX
Stealth accessories



-AS-NNR13GH0-EC
End cap



THINK BOLLARD - THINK BULLARD

sales@gordonbullard.com
www.bullardbollards.com
1-877-964-4646



991 South Gull Lake Dr
Richland, MI 49083
USA

FIXTURE TYPE: _____

PROJECT NAME: _____

HOW TO ORDER:

CODE:

Example:
CODE: BB-FLX360R13-CL-LS1-AS-NNR13GH0-
EC-402-02-000000-00001-402-02-000000-00013

BB-FLX360R13-CL-LS1-
AS-NNR13GH0-
EC-402-02-000000-0
0001-402-02-000000
-00013

4 ACCESSORIES:

-AS-NNR13CCXS-B-6/4/3

Woven material
Ø115*H34mm with screws



-AS-NNR13CCXM-B-6/4/3

Woven material
Ø150*H34mm with screws



-AS-NNR13CCXL-B-6/4/3

Woven material
Ø175*H34mm with screws



-AS-NNR13C-041

Woven material
Ø29*H41 mm with screws



-AS-NNR13C-066

Woven material
Ø29*H66mm with screws



5 SYSTEM CONTROL:

-402-02-000000-00001

Monochrome Remote Control
R6-1
Operating voltage: 3VDC(Battery CR2032)
Operating frequency: 2.4GHz
Remote control distance: 30m
Operating temperature: -30°C-55°C
Size:L107*W58.5*H9(mm)



-402-02-000000-00013

Monochrome Control Receiver
CR1-GBA
Input voltage: 12-48VDC
Maximum load current: 15A* 1CH, Max15A@12/24V
10A * 1CH, Max10A@36/48V
Maximum load power: 15A* 1CH, Max15A@12/24V
10A * 1CH, Max10A@36/48V
Operating temperature: -30°C-55°C
Size: L175*W45*H27(mm)



-402-0-000000-00013

Knob panel controller used for dimming to warm
CP1-GBB
Input voltage: 12-24VDC
Input current: 6A* 1CH
Operating temperature: -30°C-55°C
Size: L86*W86*H33(mm)



THINK BOLLARD - THINK BULLARD

sales@gordonbullard.com
www.bullardbollards.com
1-877-964-4646



991 South Gull Lake Dr
Richland, MI 49083
USA