



**BULLARD  
BOLLARDS**  
Think Bollard Think Bullard

# THE E-RIDGE

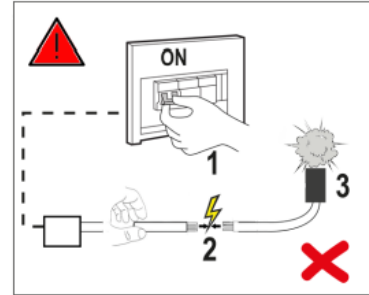
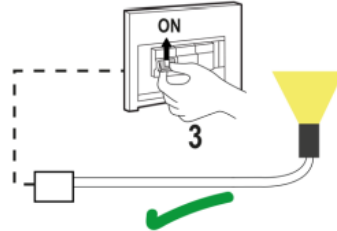
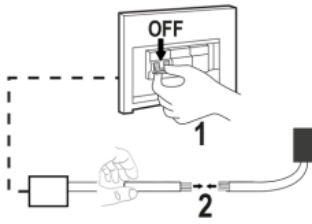
INSTALLATION TYPE:  
PARK/URBAN/  
GARDEN POLE  
LUMINAIRES

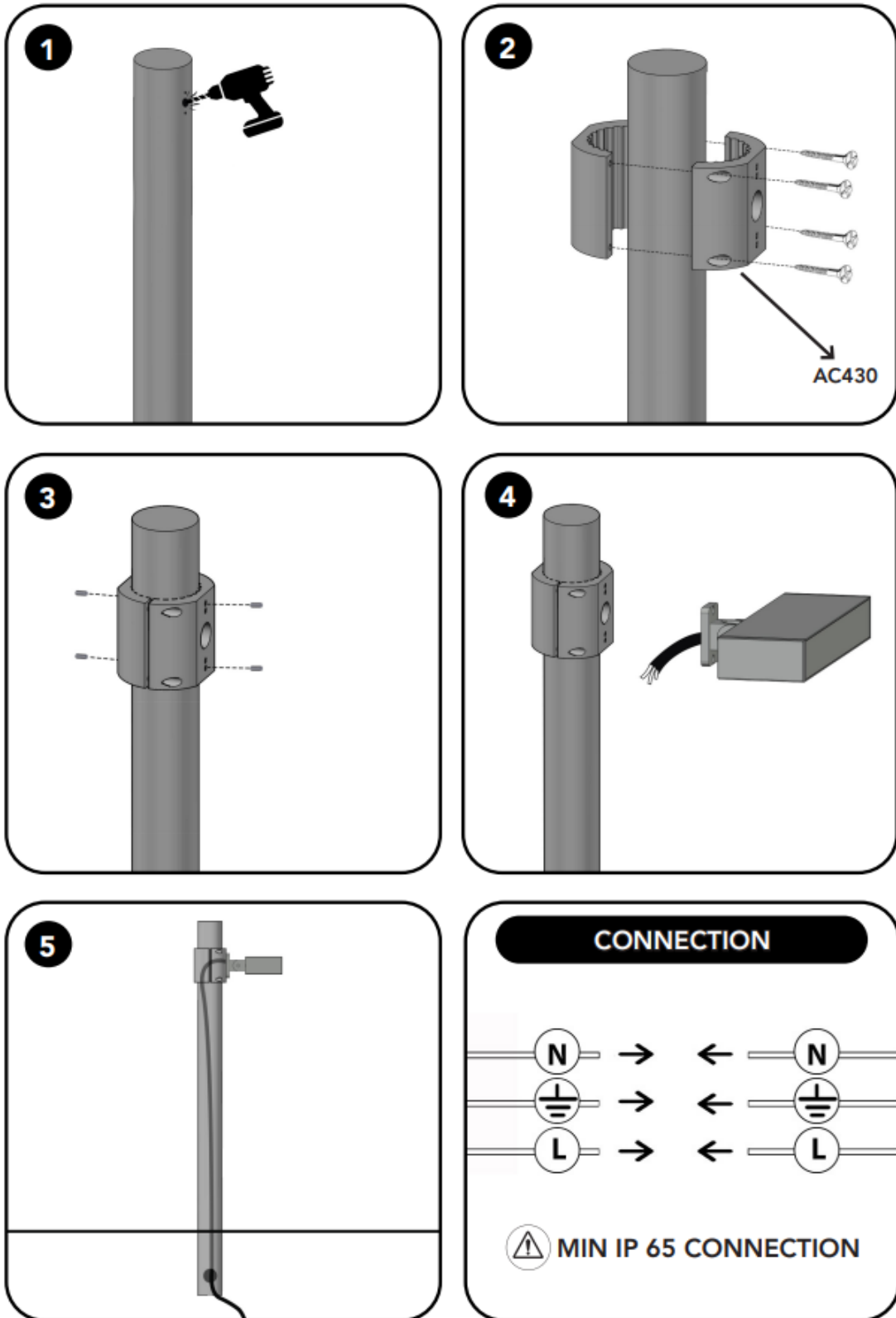


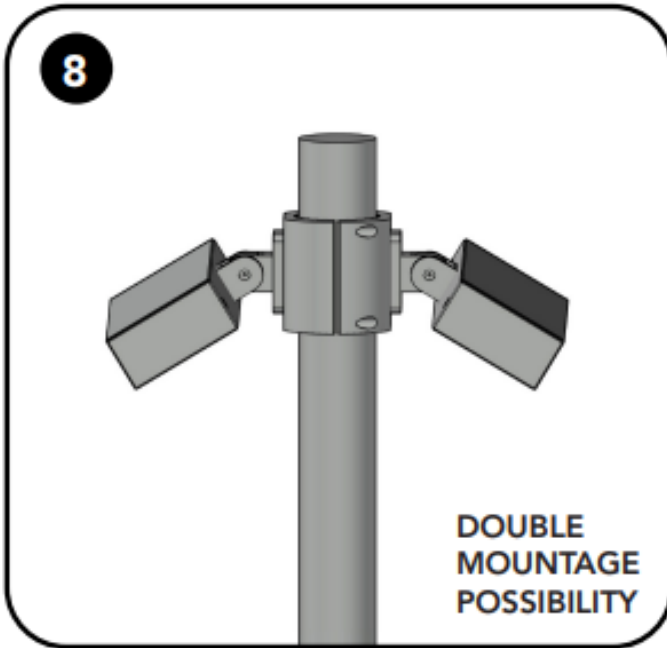
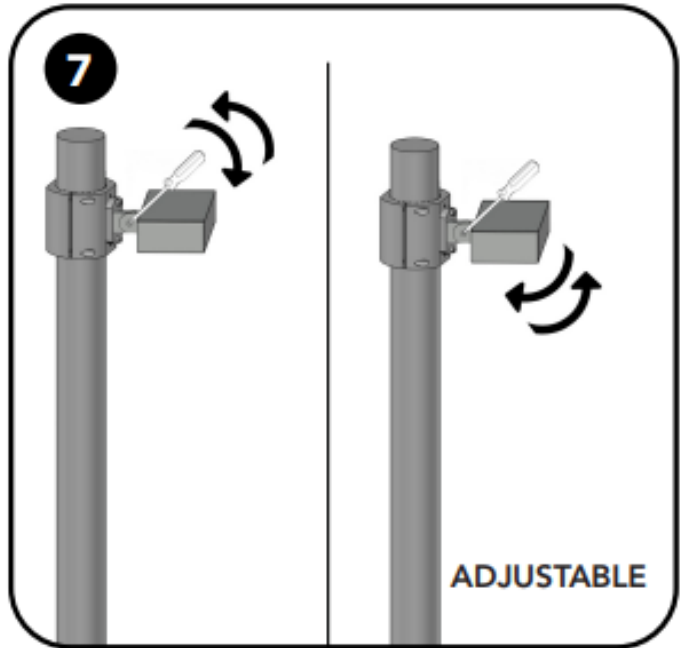
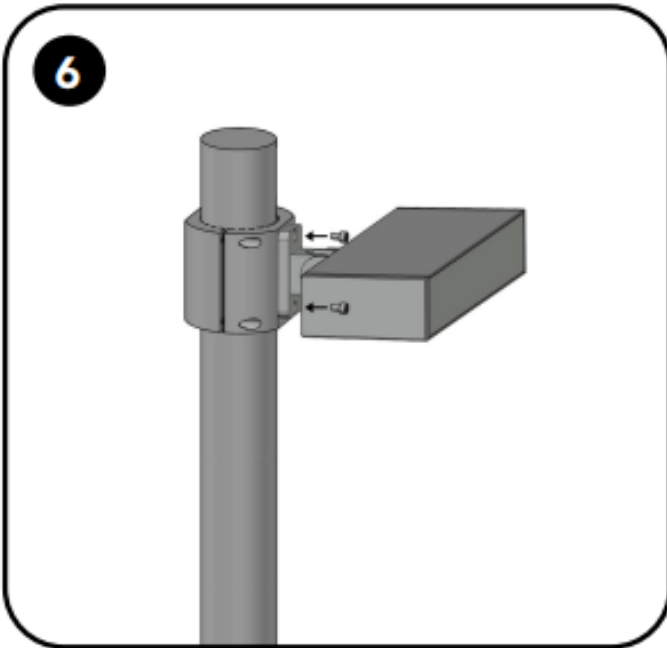
IP68



## Switch-off the power supply







THE SAFETY OF THIS FIXTURE IS GUARANTEED ONLY IF YOU COMPLY WITH THESE INSTRUCTIONS; REMEMBER TO KEEP IN A SAFE PLACE. THE APPLIANCE MUST NOT BE TAMPERED WITH OR TRANSFORMED AND IT MUST BE INSTALLED AND USED AS SUPPLIED AND IN COMPLIANCE WITH THE NATIONAL RULES ON INSTALLATIONS. SWITCH-OFF THE POWER SUPPLY BEFORE CARRYING OUT ANY MAINTENANCE OPERATIONS. HOT PLUG-IN IS NOT ALLOW AND MAY CAUSE DAMAGE TO THE LUMINAIRE. THE LIGHT SOURCE CONTAINED IN THIS LUMINAIRE SHALL BE REPLACED ONLY BY THE MANUFACTURER OR HIS SERVICE AGENT. INSTALLATION AND SERVICE MUST BE PERFORMED BY QUALIFIED SERVICE PERSONNEL. ANY NON-COMPLIANT INSTALLATIONS WILL INVALIDATE ALL FORMS OF GUARANTEE.

P.4

[sales@gordonbullard.com](mailto:sales@gordonbullard.com)  
[www.bullardbollards.com](http://www.bullardbollards.com)  
1 877-964-4646



991 South Gull Lake Dr.  
Richland, MI 49083  
USA