



**BULLARD  
BOLLARDS**  
Think Bollard Think Bullard

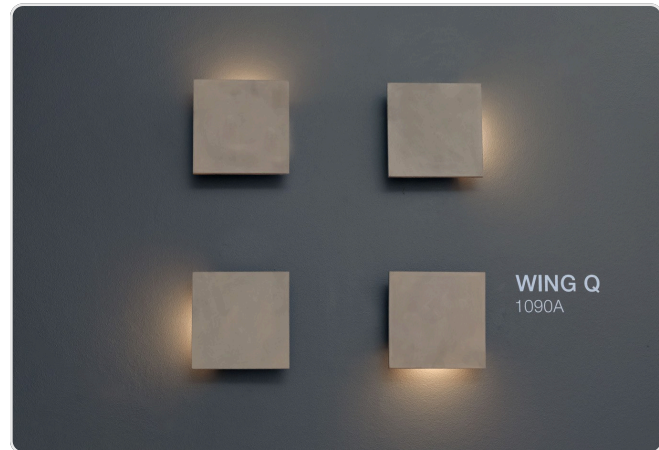
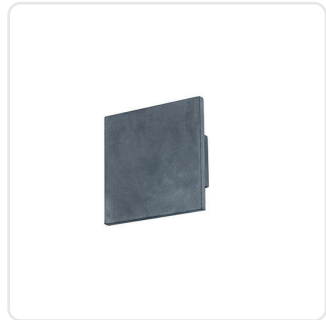
# WING (SURFACE MOUNTED WALL LUMINAIRES)



FIXTURE TYPE: \_\_\_\_\_

PROJECT NAME: \_\_\_\_\_

NOTES:




**GENERAL INFORMATION:**

The WING is a contemporary architectural lighting fixture designed to deliver both visual impact and efficient illumination. Featuring clean geometric forms and available in multiple models and sizes, the Wing series enhances modern exterior and interior spaces with its refined, minimalist design. Constructed from durable Betaly® aluminum with an IP65 rating, it is built to perform reliably in outdoor environments. Powered by high-efficiency LED technology and operating on 110–277V, the fixture offers single or double light emission options, delivering up to 3200 lumens with warm color temperatures from 2200K to 3000K. Multiple dimming control options and a variety of architectural finishes provide flexibility for residential, commercial, and hospitality projects seeking both performance and design versatility.

**FIXTURE TYPE:**

Surface Mounted Wall Luminaires

**LIGHTING:**

LED



**INPUT VOLTAGE:**

110-277V



**MATERIAL:**

BETALY®

**IP RATING:**

IP 65



**DRIVER POSITION:**

Remote

**INSULATION CLASS:**

III



**CRI:**

80

**WARRANTY:**

LED lighting products are warranted for 5 years.

**THINK BOLLARD - THINK BULLARD**

sales@gordonbullard.com  
www.bullardbollards.com  
1-877-964-4646

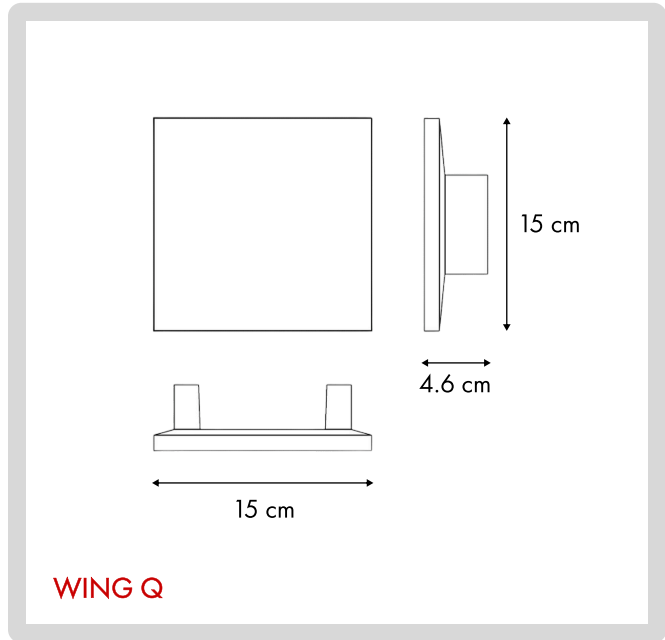


991 South Gull Lake Dr  
Richland, MI 49083  
USA



FIXTURE TYPE: \_\_\_\_\_

PROJECT NAME: \_\_\_\_\_



**HOW TO ORDER:**

**CODE:**

**Example:**  
**CODE: BB-1090-9010-Q-L2-K27-DALI-393**

BB-1090-9010-Q  
-L2-K27-DALI-393

**1 MODELS:**

**-Q**  
Height - H: 5.9" (15 cm)  
Length - L: 5.9" (15 cm)  
Depth - P: 1.81" (4.6 cm)

**2 LIGHT SOURCE:**

**-L1** LED / 5.5W / 110-277V / CRI 80 (Single emission)  
**-L2** LED / 11W / 110-277V / CRI 80 (Double emission)





**3 CCT&LUMENS:**

	KELVINS	5.5W		11W
<b>-K20</b>	2200K	= 720 lm		1440 lm
<b>-K27</b>	2700K	= 760 lm		1520 lm
<b>-K30</b>	3000K	= 800 lm		1600 lm

**4 DIMMING OPTIONS:**

**-DIM** 0-10V  
**-DALI** DALI  
**-LT** Lutron  
**-CAS** Casambi  
**-NON** Non-Dimmable

**5 FINISH OPTIONS:**

**-392** White   
**-393** Green   
**-394** Corten   
**-395** Grey   
**-396** Black   
**-397** Sand 

**THINK BOLLARD - THINK BULLARD**

sales@gordonbullard.com  
www.bullardbollards.com  
1-877-964-4646

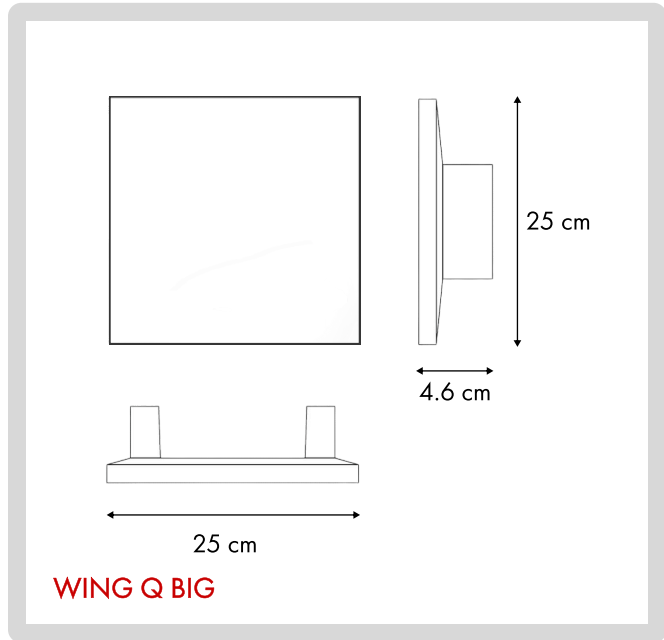


991 South Gull Lake Dr  
Richland, MI 49083  
USA



FIXTURE TYPE: \_\_\_\_\_

PROJECT NAME: \_\_\_\_\_



**HOW TO ORDER:**

**CODE:**

**Example:  
CODE: BB-1090-9010-Q-L2-K27-DALI-393**

BB-1090-9010-Q  
-L2-K27-DALI-393

**1 MODELS:**

**-Q-B**

Height - H: 9.84" (25 cm)  
Length - L: 9.84" (25 cm)  
Depth - P: 1.81" (4.6 cm)

**2 LIGHT SOURCE:**

**-L1** LED / 11W / 110-277V / CRI 80 (Single emission)  
**-L2** LED / 22W / 110-277V / CRI 80 (Double emission)






**3 CCT&LUMENS:**

	KELVINS	11W		22W
<b>-K20</b>	2200K	= 1440 lm		2880 lm
<b>-K27</b>	2700K	= 1520 lm		3040 lm
<b>-K30</b>	3000K	= 1600 lm		3200 lm

**4 DIMMING OPTIONS:**

**-DIM** 0-10V  
**-DALI** DALI  
**-LT** Lutron  
**-CAS** Casambi  
**-NON** Non-Dimmable

**5 FINISH OPTIONS:**

**-392** White   
**-393** Green   
**-394** Corten   
**-395** Grey   
**-396** Black   
**-397** Sand 

**THINK BOLLARD - THINK BULLARD**

sales@gordonbullard.com  
www.bullardbollards.com  
1-877-964-4646

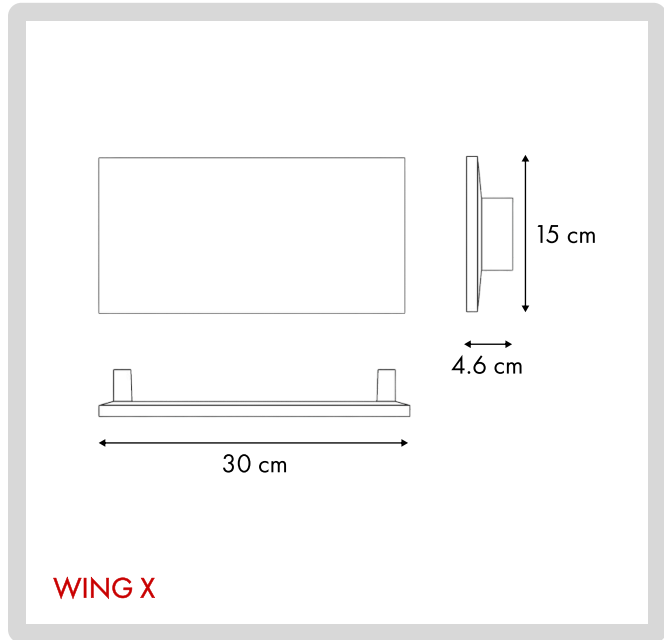


991 South Gull Lake Dr  
Richland, MI 49083  
USA



FIXTURE TYPE: \_\_\_\_\_

PROJECT NAME: \_\_\_\_\_



**HOW TO ORDER:**

**CODE:**

**Example:**  
CODE: BB-1090-9010-Q-L2-K27-DALI-393

BB-1090-9010-Q  
-L2-K27-DALI-393

**1 MODELS:**

**-X**  
Height - H: 5.91" (15 cm)  
Length - L: 11.81" (30 cm)  
Depth - P: 1.81" (4.6 cm)

**2 LIGHT SOURCE:**

**-L1** LED / 11W / 110-277V / CRI 80 (Single emission)  
**-L2** LED / 22W / 110-277V / CRI 80 (Double emission)



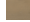
**3 CCT&LUMENS:**

	KELVINS	11W		22W
<b>-K20</b>	2200K	= 1440 lm		2880 lm
<b>-K27</b>	2700K	= 1520 lm		3040 lm
<b>-K30</b>	3000K	= 1600 lm		3200 lm

**4 DIMMING OPTIONS:**

**-DIM** 0-10V  
**-DALI** DALI  
**-LT** Lutron  
**-CAS** Casambi  
**-NON** Non-Dimmable

**5 FINISH OPTIONS:**

**-392** White   
**-393** Green   
**-394** Corten   
**-395** Grey   
**-396** Black   
**-397** Sand 

**THINK BOLLARD - THINK BULLARD**

sales@gordonbullard.com  
www.bullardbollards.com  
1-877-964-4646



991 South Gull Lake Dr  
Richland, MI 49083  
USA