



**BULLARD
BOLLARDS**
Think Bollard Think Bullard

X-PORTO SOLAR BOLLARD RANGE





FIXTURE TYPE: _____

PROJECT NAME: _____

NOTES:



GENERAL INFORMATION:

The X-PORTO by Bullard Solar is a sleek, solar-powered bollard light designed for durability and modern outdoor environments. Constructed from high-quality 304 stainless steel with an IP65 rating, it delivers reliable performance in a wide range of weather conditions. It features an automatic photo sensor, providing up to 12 hours of illumination with efficient solar charging and minimal maintenance. Available in multiple finishes and color temperatures, it offers flexible installation options to suit various landscape and architectural needs.

DIMENSIONS:

Length L: 7" (17.78 cm)
 Width W: 11.3" (28.7 cm)
 Height H: 38.6" (98 cm)

MATERIAL:

304 Stainless Steel

IP RATING:

IP 65

OPERATIONAL:

Average Sunlight Exposure: 8 hours
 Average Operation Time: Minimum 12 hours
 Solar Deprivation Limit: 5 days
 Switch: Auto photo sensor
 On/Off Level: 1.5 / 3 footcandle
 Temperature Range: -40° F to 176° F

SOLAR LED INFORMATION:

Solar Panel Crystalline Silicon Solar Panel
 Battery 8000 AM
 Rated Voltage 5V, 5W



THINK BOLLARD - THINK BULLARD

sales@gordonbullard.com
 www.bullardbollards.com
 1-877-964-4646



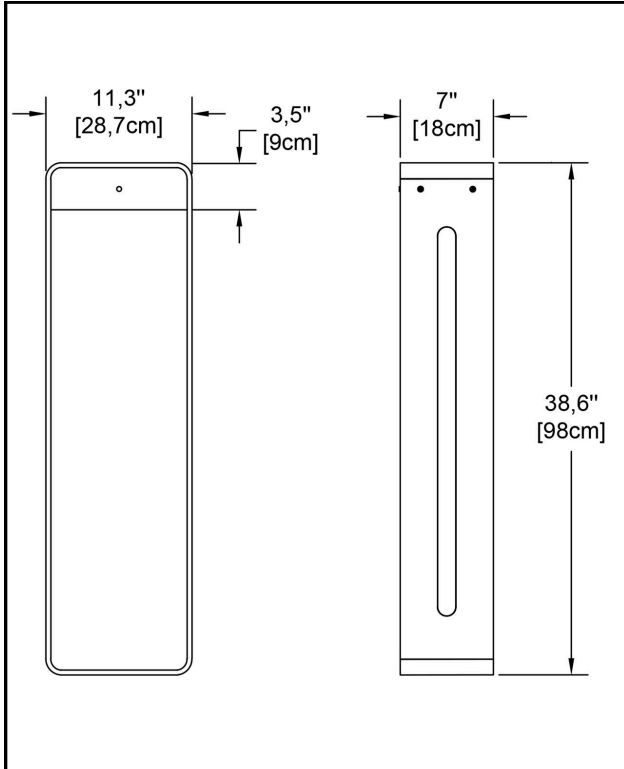
991 South Gull Lake Dr
 Richland, MI 49083
 USA



FIXTURE TYPE: _____

PROJECT NAME: _____

NOTES:



HOW TO ORDER:

CODE:

Example:
CODE: BB-DHKQ-2413-AN-SS-23K

BB-DHKQ-2413-AN-SS-23K

1 INSTALLATION TYPE:

- AN Anchorage
- SM Surface Mounted

2 FINISH OPTIONS:

- SS Stainless Steel
- BL Black
- GR Grey
- CUS Custom on request

3 CCT:

- 23K 2300K
- 27K 2700K
- 30K 3000K
- 35K 3500K
- 40K 4000K
- 50K 5000K
- 65K 6500K

THINK BOLLARD - THINK BULLARD

sales@gordonbullard.com
www.bullardbollards.com
1-877-964-4646



991 South Gull Lake Dr
Richland, MI 49083
USA