



**BULLARD  
BOLLARDS**  
Think Bollard Think Bullard

# THE REDSHANK

Park/Urban/Garden Pole Luminaires





**BULLARD  
BOLLARDS**  
Think Bollard Think Bullard

**CODE:  
BB-RS-KPG-PL**

FIXTURE TYPE: \_\_\_\_\_

PROJECT NAME: \_\_\_\_\_

-BOBSW0169



-BOBSW0269



-BOBSW0469



**GENERAL INFORMATION:**

THE REDSHANK by Bullard Outdoor blends architectural presence with dependable outdoor performance. Defined by a tall, minimal pole and adjustable cylindrical spotlight heads, its clean, utilitarian design is ideal for parking areas, plazas, pathways, and large-scale architectural exteriors. The multi-head configuration allows for targeted illumination across wide outdoor spaces.

Constructed from die-cast aluminum with a durable powder-coated finish, THE REDSHANK is engineered for long-term outdoor use with excellent corrosion resistance. It features efficient LED lighting delivering controlled, focused light with a CRI of 80. Designed to operate on 110–277V, it offers reliable protection with an IP65 weather rating and IK07 impact resistance. Available in sanded black and dark gray finishes.

**FIXTURE TYPE:**

Urban Pole Luminaires

**LIGHTING**

LED

LED

**VOLTAGE:**

110-277V



**MATERIAL:**

Die-casting aluminum finishing

**LENS:**

B57

**CRI:**

80

**IP RATING:**

IP 65

IP65

**IK RATING:**

IK 07

**BUILT FOR THE STORM**

sales@gordonbullard.com

www.bullardoutdoor.com

1-877-964-4646



991 South Gull Lake Dr

Richland, MI 49083

USA



FIXTURE TYPE: \_\_\_\_\_

PROJECT NAME: \_\_\_\_\_

NOTES:

-BOBSW0169



-BOBSW0269



-BOBSW0469



**LED** **IP65**

**HOW TO ORDER:**

**CODE:**

Example:  
CODE: BB-ST-KPG-PL-BOBSW0169-K30-KAP7037-DIM-B15-A1-IB

BB-ST-KPG-PL-  
BOBSW0169-K30-  
KAP7037-DIM-B15-A1-IB

**1 MODELS:**

CODE -BOBSW0169

DIMENSIONS:

Pole Diameter - Ø: 3.54" (9 cm)  
Height - H: 118.11" (300 cm)

LIGHT SOURCE:

LED /30 W / 126 mA / 2815 lm / 110-277V

CODE -BOBSW0269

DIMENSIONS:

Pole Diameter - Ø: 3.54" (9 cm)  
Height - H: 118.11" (300 cm)

LIGHT SOURCE:

LED /60 W / 252 mA / 5630 lm / 110-277V

CODE -BOBSW0469

DIMENSIONS:

Pole Diameter - Ø: 3.54" (9 cm)  
Height - H: 157.5" (400 cm)

LIGHT SOURCE:

LED /120 W / 504 mA / 11260 lm / 110-277V

**2 CCT OPTIONS:**

-K30 3000K  
-CUS Custom on request\*

**3 FINISH OPTIONS:**

-KAP7037 Sanded Dark Gray  
-RAL9005 Sanded Black

**4 DIMMING OPTIONS:**

-DIM 1-10V  
-PWM Pulse Width Modulation  
-DALI DALI (Digital Addressable Lighting Interface)

sales@gordonbullard.com  
www.bullardoutdoor.com  
1-877-964-4646



991 South Gull Lake Dr  
Richland, MI 49083  
USA



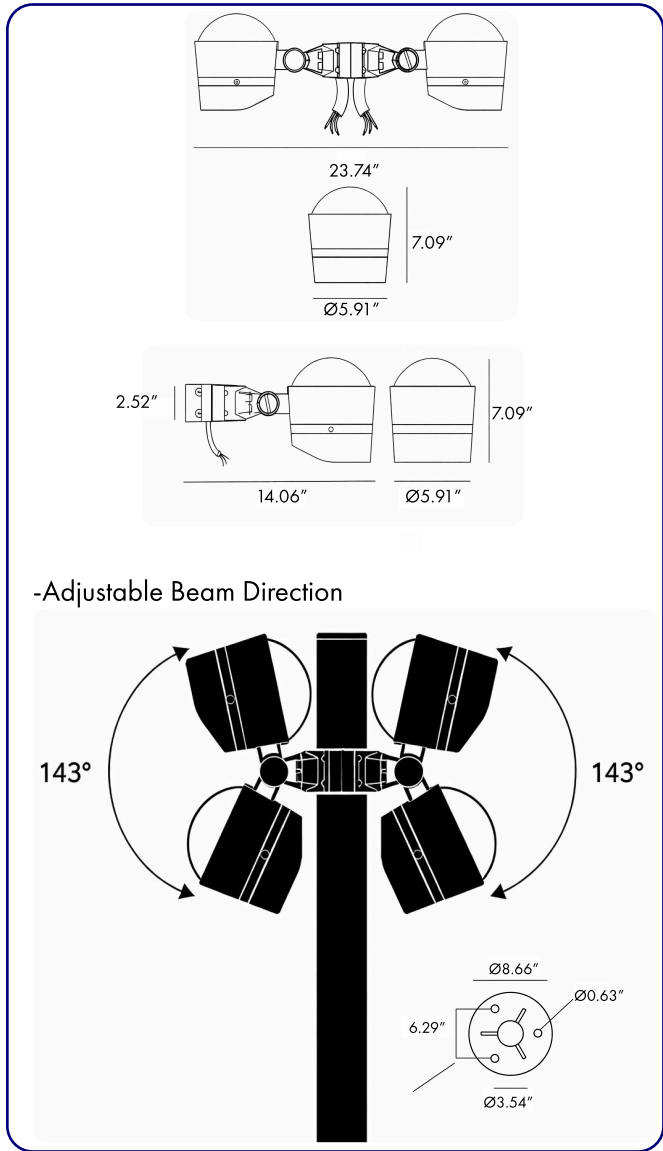
**BULLARD  
BOLLARDS**  
Think Bollard Think Bullard

**CODE:  
BB-RS-KPG-PL**

FIXTURE TYPE: \_\_\_\_\_

PROJECT NAME: \_\_\_\_\_

NOTES:



**HOW TO ORDER:**

**CODE:**

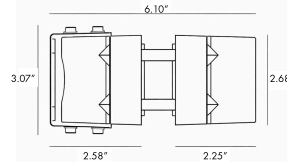
Example:  
CODE: BB-ST-KPG-PL-B0BSW0169-K30-KAP7037-DIM-B15-A1-IB

BB-ST-KPG-PL-  
B0BSW0169-K30-  
KAP7037-DIM-B15-A1-IB

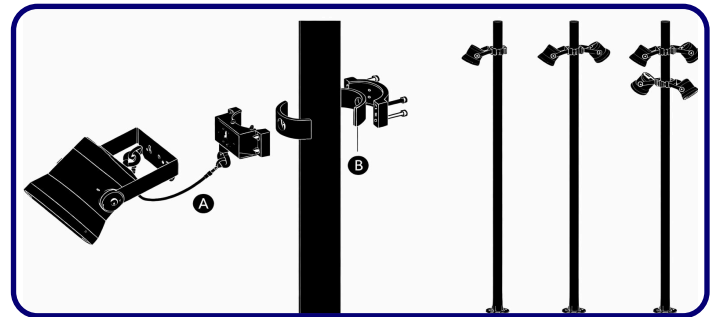
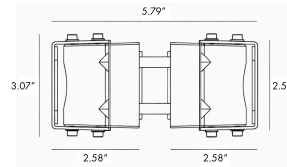
- 5 BEAM**
- B15 15°
  - B25 25°
  - B36 36°
  - B60 60°

**6 ACCESSORIES**

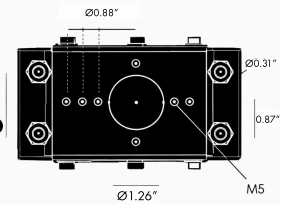
-A1 One side - BO-RP001-KPG-BL



-A2 Two sides - BO-RP002-KPG-BL



- 1 Compatible with all brands and models.
- 2 Safety hook(s) included (see A of image 1)
- 3 Two sizes of rubber gaskets included (see B of image 1) which can be selected based on the diameter of the installing pole. Please refer to the manual for details.
- 4 All stainless steel 304# screws



sales@gordonbullard.com  
www.bullardoutdoor.com  
1-877-964-4646



991 South Gull Lake Dr  
Richland, MI 49083  
USA



FIXTURE TYPE: \_\_\_\_\_

PROJECT NAME: \_\_\_\_\_

NOTES:

**-BOBSW0169**



**-BOBSW0269**



**-BOBSW0469**



LED
110-277V
 7.5'
IP65

**HOW TO ORDER:**

**CODE:**

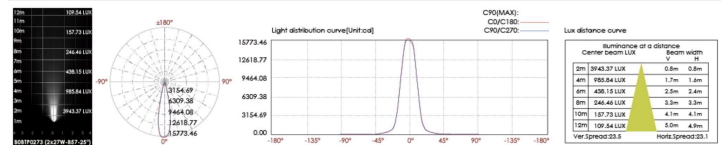
Example:  
CODE: BB-ST-KPG-PL-BOBSW0169-K30-KAP7037-DIM-B15-A1-IB

BB-ST-KPG-PL-  
BOBSW0169-K30-  
KAP7037-DIM-B15-A1-IB

**7 INSTALLATION TYPE:**

- SB Screw Base (included)
- IB Inground Base (optional)
- GAB Ground Anchor Base (optional)

**8 PHOTOMETRIC INFO:**



sales@gordonbullard.com  
 www.bullardoutdoor.com  
 1-877-964-4646



991 South Gull Lake Dr  
 Richland, MI 49083  
 USA