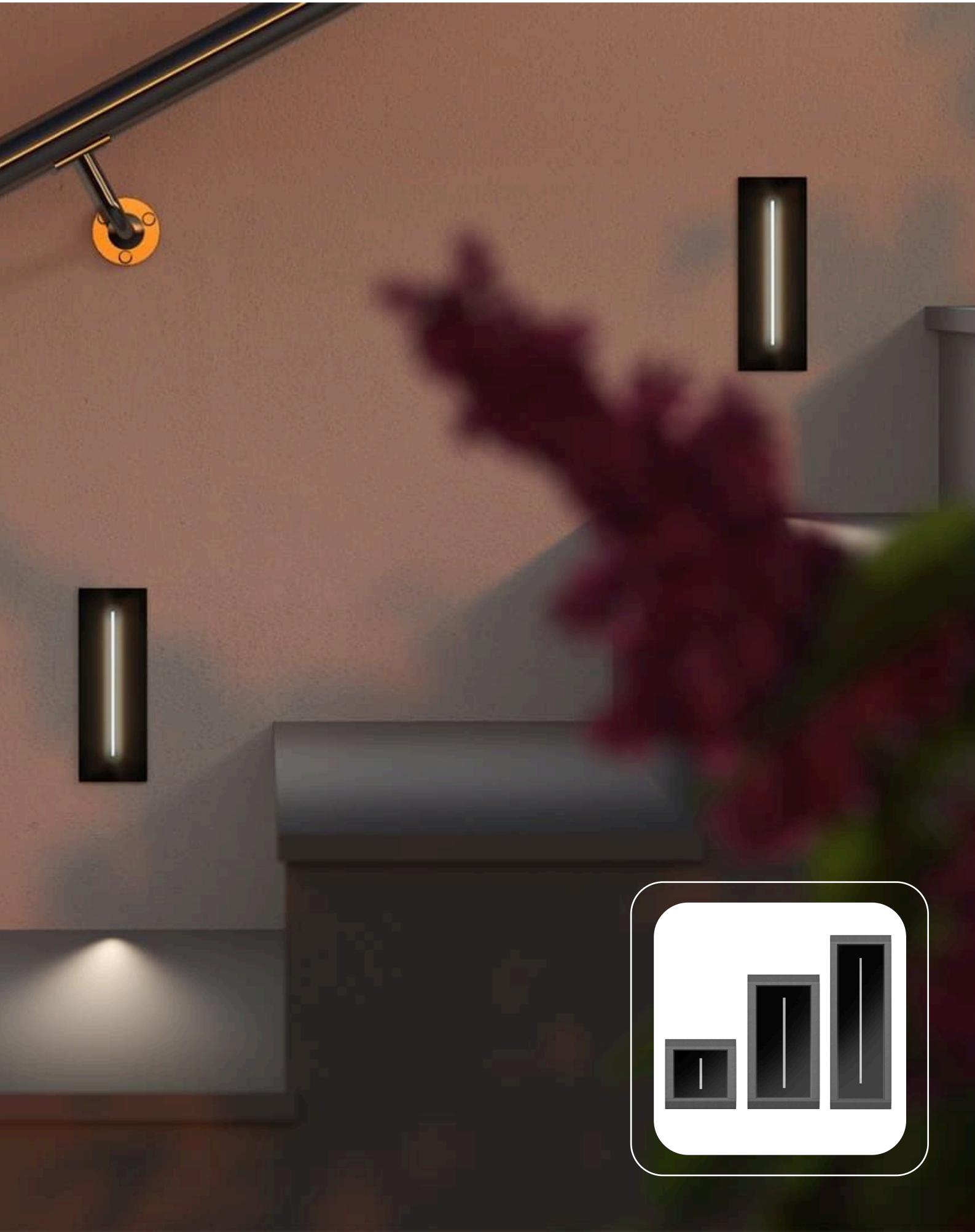




**BULLARD
BOLLARDS**
Think Bollard Think Bullard

BUNNY BOLD AS V





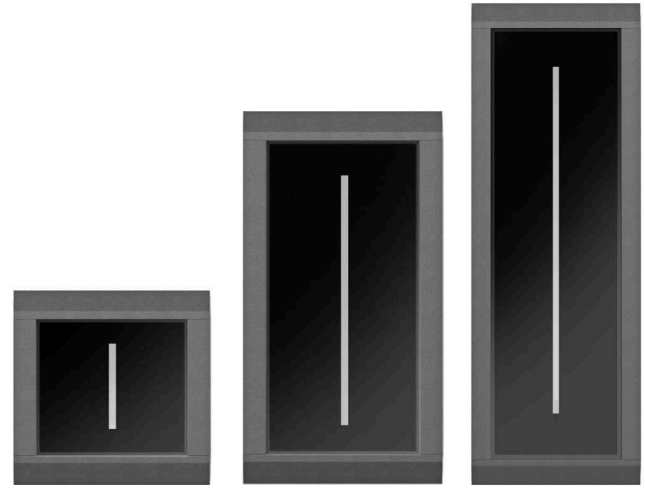
**BULLARD
BOLLARDS**
Think Bullard Think Bullard

**CODE:
BB-202.00BBASV-GH**

FIXTURE TYPE: _____

PROJECT NAME: _____

NOTES:



GENERAL INFORMATION:

BUNNY BOLD AS V is a series of recessed wall luminaires with reduced recessed depth. They are designed for lighting of paths, stairs and passages with a blade of light. The construction of the body, in aluminum alloy with high resistance to oxidation, treated with nano-bonderite and protected with polyester powder-coating, make the product resistant to atmospheric agents and UV rays, guaranteeing maximum protection over the years. The silicone gaskets ensure maximum sealing in all operating and temperature conditions. The diffuser in tempered sodium calcium glass finished with silk-screen printing and beveled edge gives a touch of class to the fixture. The product is installed with stainless steel rough-in housing and is suitable for both concrete and conventional walls or drywall.

FIXTURE TYPE:

Recessed wall luminaire

VOLTAGE:

110-277V



MATERIAL:

Extruded aluminum EN AW-6060 T5 high resistance to oxidation, Die-cast aluminum EN AB 44100 highly resistant to oxidation

IP RATING:

IP 67



WARRANTY:

LED lighting products are warranted for 5 years.

DRIVER POSITION:

Remote

MAIN FEATURES:

- High visual comfort
- Reduced depth of recess
- Wide range of finishes.
- Minimal design

IK RATING

IK 07

THINK BOLLARD - THINK BULLARD

sales@gordonbullard.com
www.bullardbollards.com
1-877-964-4646



991 South Gull Lake Dr
Richland, MI 49083
USA



FIXTURE TYPE: _____

PROJECT NAME: _____

HOW TO ORDER:

CODE:

Example:
CODE: BB-202.00BBASV-GH-R50-B5489-1-
NON-AG

BB-202.00BBASV-
GH-R50-
B5489-1-NON-
AG

1 MODELS:

-R50

DIMENSIONS:

- A) Diameter - Ø: 2.63" (6.7 cm)
- B) Height - H: 3.54" (9 cm)
- C) Width - W: 2.20" (5.6 cm)

LIGHT SOURCE:

CODE	BEAM ANGLE	WATTAGE	KELVINS	LUMENS	OPERATION RANGE
-B5489-1	54°	1 x 4.1W	3000K	1 x 497 lm	24 V DC
-B5489-2	X 89°	1 x 4.1W	4000K	1 x 532 lm	24 V DC

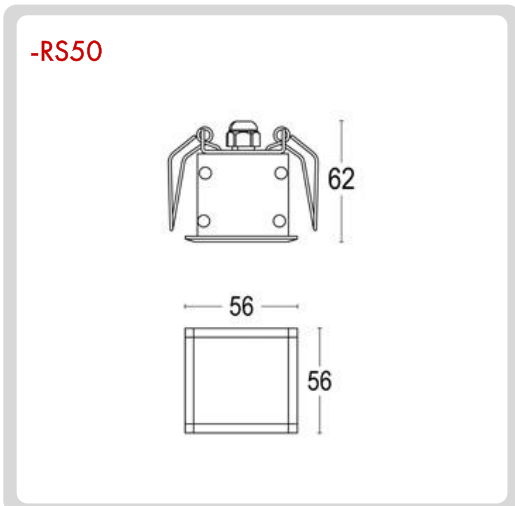
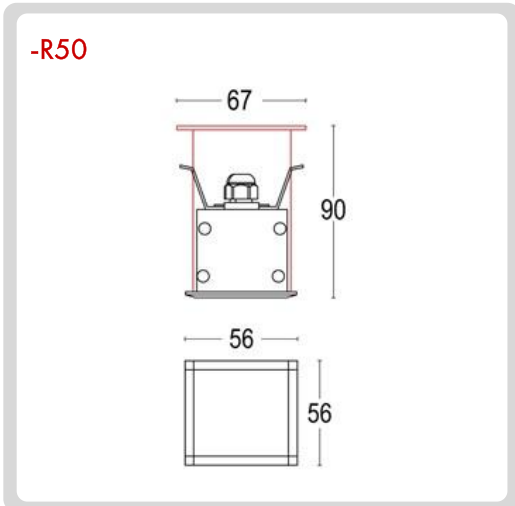
-RS50

DIMENSIONS:

- A) Height - H: 2.44" (6.2 cm)
- B) Width - W: 2.20" (5.6 cm)
- C) Length - L: 2.20" (5.6 cm)

LIGHT SOURCE:

CODE	BEAM ANGLE	WATTAGE	KELVINS	LUMENS	OPERATION RANGE
-B5489-1	54°	1 x 4.1W	3000K	1 x 497 lm	24 V DC
-B5489-2	X 89°	1 x 4.1W	4000K	1 x 532 lm	24 V DC



THINK BOLLARD - THINK BULLARD

sales@gordonbullard.com
www.bullardbollards.com
1-877-964-4646



991 South Gull Lake Dr
Richland, MI 49083
USA



FIXTURE TYPE: _____

PROJECT NAME: _____

HOW TO ORDER:

CODE:

Example:
CODE: BB-202.00BBASV-GH-R50-B5489-1-NON-AG

BB-202.00BBASV-
GH-R50-
B5489-1-NON-
AG

1 MODELS:

-R100

DIMENSIONS:

- A) Diameter - Ø: 2.63" (6.7 cm)
- B) Height - H: 3.54" (9 cm)
- C) Width - W: 2.20" (5.6 cm)
- D) Length - L: 4.13" (10.5 cm)

LIGHT SOURCE:

CODE	BEAM ANGLE	WATTAGE	KELVINS	LUMENS	OPERATION RANGE
-B119101-1	119°	1 x 4.18W	3000K	1 x 507 lm	24 V DC
-B119101-2	X 101°	1 x 4.18W	4000K	1 x 543 lm	24 V DC

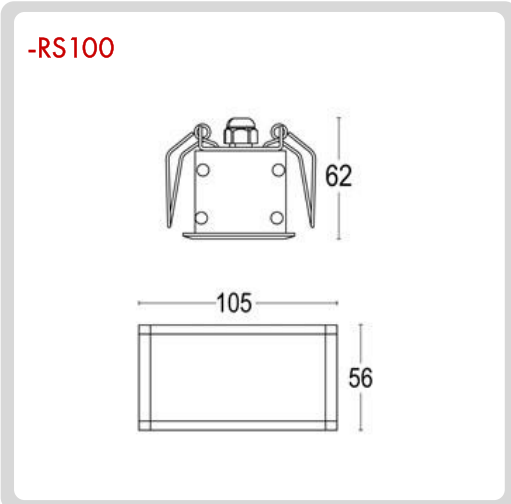
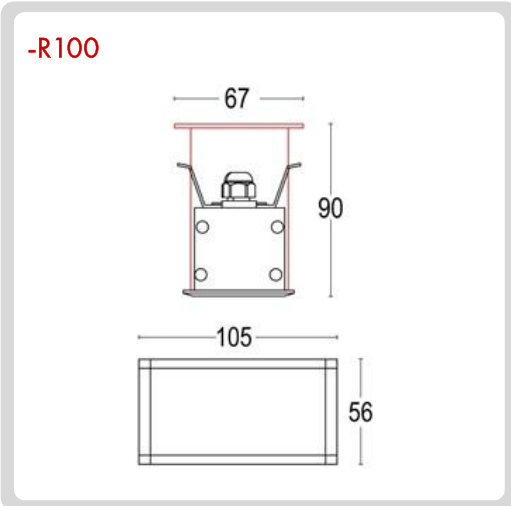
-RS100

DIMENSIONS:

- A) Height - H: 2.44" (6.2 cm)
- B) Width - W: 2.20" (5.6 cm)
- C) Length - L: 4.13" (10.5 cm)

LIGHT SOURCE:

CODE	BEAM ANGLE	WATTAGE	KELVINS	LUMENS	OPERATION RANGE
-B119101-1	119°	1 x 4.18W	3000K	1 x 507 lm	24 V DC
-B119101-2	X 101°	1 x 4.18W	4000K	1 x 543 lm	24 V DC



THINK BOLLARD - THINK BULLARD

sales@gordonbullard.com
www.bullardbollards.com
1-877-964-4646



991 South Gull Lake Dr
Richland, MI 49083
USA



FIXTURE TYPE: _____

PROJECT NAME: _____

HOW TO ORDER:

CODE:

Example:
CODE: BB-202.00BBASV-GH-R50-B5489-1-
NON-AG

BB-202.00BBASV-
GH-R50-
B5489-1-NON-
AG

1 MODELS:

-R150
DIMENSIONS:

- A) Diameter - Ø: 2.63" (6.7 cm)
- B) Height - H: 3.54" (9 cm)
- C) Width - W: 2.20" (5.6 cm)
- D) Length - L: 6.22" (15.8 cm)

LIGHT SOURCE:

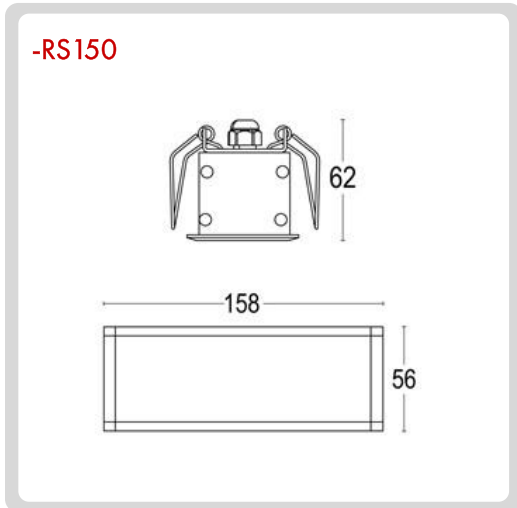
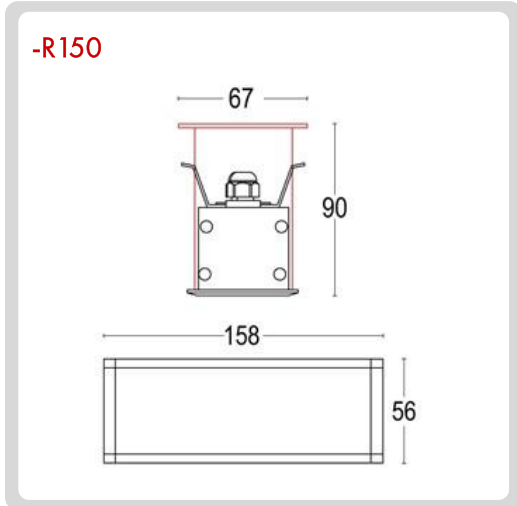
CODE	BEAM ANGLE	WATTAGE	KELVINS	LUMENS	OPERATION RANGE
-B138102-1	138°	1 x 4.18W	3000K	1 x 507 lm	24 V DC
-B138102-2	X 102°	1 x 4.18W	4000K	1 x 543 lm	24 V DC

-RS150
DIMENSIONS:

- A) Height - H: 2.44" (6.2 cm)
- B) Width - W: 2.20" (5.6 cm)
- C) Length - L: 6.22" (15.8 cm)

LIGHT SOURCE:

CODE	BEAM ANGLE	WATTAGE	KELVINS	LUMENS	OPERATION RANGE
-B138102-1	138°	1 x 4.18W	3000K	1 x 507 lm	24 V DC
-B138102-2	X 102°	1 x 4.18W	4000K	1 x 543 lm	24 V DC



THINK BOLLARD - THINK BULLARD

sales@gordonbullard.com
www.bullardbollards.com
1-877-964-4646



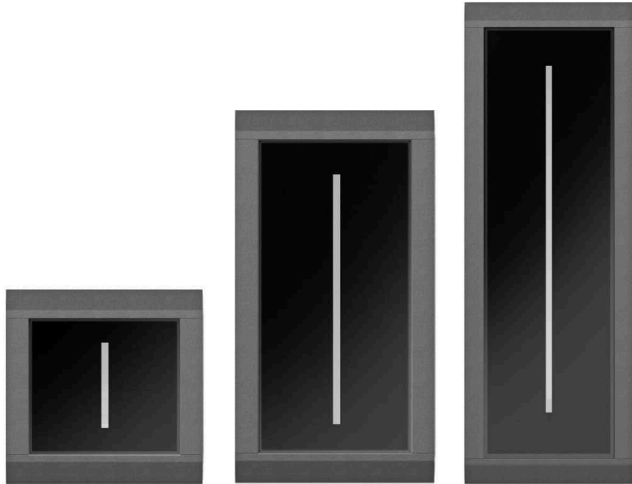
991 South Gull Lake Dr
Richland, MI 49083
USA



FIXTURE TYPE: _____

PROJECT NAME: _____

NOTES:



HOW TO ORDER:

CODE:

Example:
CODE: BB-202.00BBASV-GH-R50-B5489-1-NON-AG

BB-202.00BBASV-
GH-R50-
B5489-1-NON-
AG

2 DIMMING OPTIONS:

- NON** NON-Dimmable
- DIM** 0-10V
- TRC** IGBT-TRIAC (only for the **-70** option)

3 FINISH OPTIONS:

STANDARD FINISHES

- AG** Anthracite grey(matt)
- LG** Light grey(matt)

CUSTOM REQUEST FINISHES

- WM** White matt
- BR** Bronze
- AGM** Antique grey matt
- SM** Sand matt
- BM** Black matt
- CM** Corten matt
- BLM** Blue matt
- GM** Green matt

4 ACCESSORIES:

- AC205-IP66**
IP66 remote power supply box



THINK BOLLARD - THINK BULLARD

sales@gordonbullard.com
www.bullardbollards.com
1-877-964-4646



991 South Gull Lake Dr
Richland, MI 49083
USA