

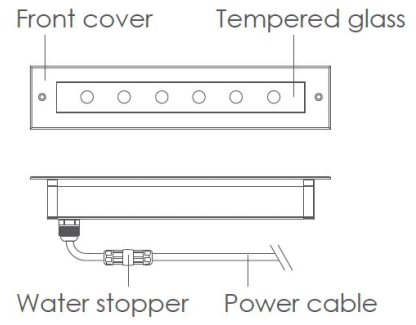
NORIE



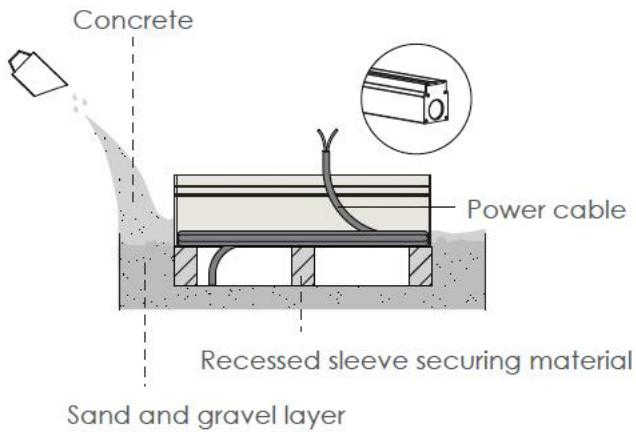
Data Sheet:

Input Voltage (V): 110-277
 IK 09

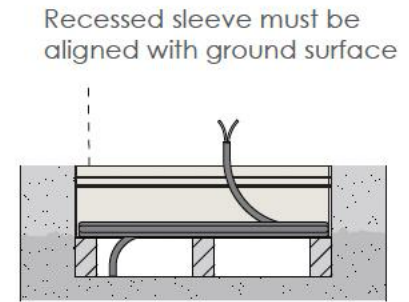
Installation steps



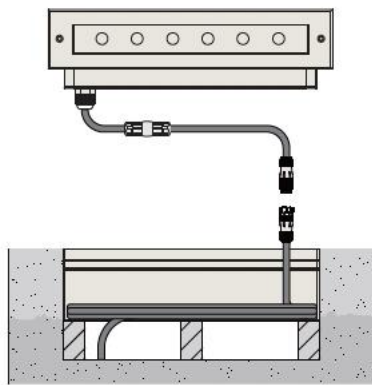
Step 1



Step 2



Step 3



Connect the power cable

Step 4

