



**BULLARD  
BOLLARDS**  
Think Bollard Think Bullard

# FLICK

## Recessed Wall Luminaires Stair/Pathway





**BULLARD  
BOLLARDS**  
Think Bullard Think Bullard

**CODE:  
BB-FLK-KPG-RWL**

FIXTURE TYPE: \_\_\_\_\_

PROJECT NAME: \_\_\_\_\_



**GENERAL INFORMATION:**

The FLICK Recessed Wall Luminaire is a compact and durable LED fixture designed for stairway and pathway lighting. Made from die-cast dark gray powder-coated aluminum with a precision glass lens, it operates on 110–277V and provides focused, efficient illumination. Engineered for long-lasting performance, FLICK features an IP65 weatherproof and IK10 impact-resistant rating. Available in round and square designs with Sanded Dark Gray, Sanded Black, and Sanded Silver Gray finishes, it offers both style and reliability for modern architectural spaces.

**FIXTURE TYPE:**

Recessed Wall Luminaires - Stair/Pathway

**LIGHTING:**

LED

LED

**VOLTAGE:**

110-277V



**MATERIAL:**

12# Die-casting powder coated aluminum

**LENS:**

Glass

**BEAM ANGLE:**

80°

**RECESSED SLEEVE:**

PC/ABS ALLOYS 188#

**IP RATING:**

IP 65

IP65

**IK RATING:**

IK 10

**FINISHING:**

Sanded Dark Gray  
Sanded Black  
Sanded Silver Gray

sales@gordonbullard.com  
www.bullardbollards.com  
1-877-964-4646



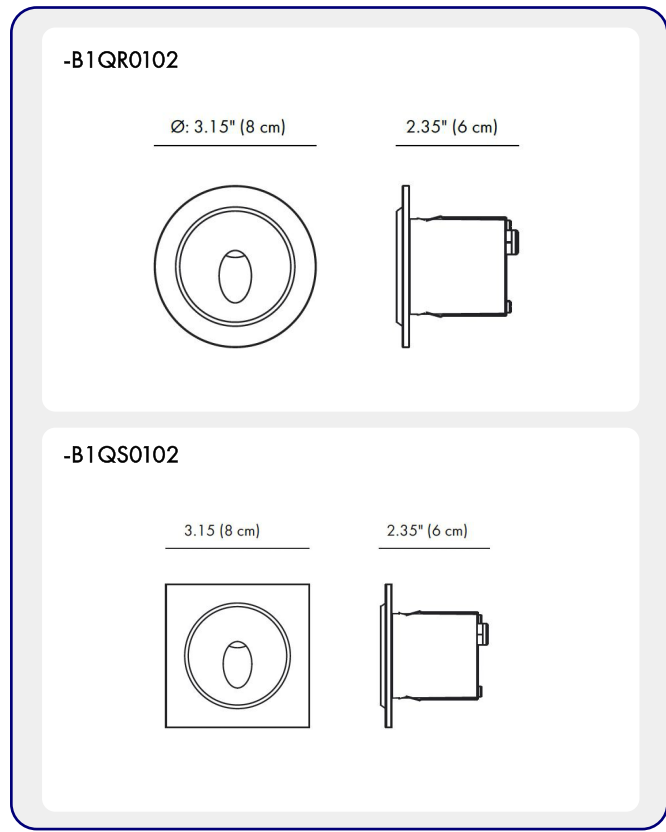
991 South Gull Lake Dr  
Richland, MI 49083  
USA



FIXTURE TYPE: \_\_\_\_\_

PROJECT NAME: \_\_\_\_\_

NOTES:



**HOW TO ORDER:**

**CODE:**

Example:  
CODE: BB-FLK-KPG-RWL-XXX-XXX-XXX-XXX-XXX-XX

BB-FLK-KPG-RWL-  
B1QR0102-K30-  
KAP7037-DIM

**1 MODELS:**

CODE -B1QR0102

DIMENSIONS:

Diameter - Ø: 3.15" (8 cm)  
Depth - P: 2.35" (6 cm)

LIGHT SOURCE:

LED / 1 x 3W / 110 mA / 62 lm / 110-277V / CRI 80

CODE -B1QS0102

DIMENSIONS:

Length / Width- L/W: 3.15" (8 cm)  
Depth - P: 2.35" (6 cm)

LIGHT SOURCE:

LED / 1 x 3W / 110 mA / 62 lm / 110-277V / CRI 80

**2 CCT OPTIONS:**

-K30 3000K  
-CUS Custom on request\*

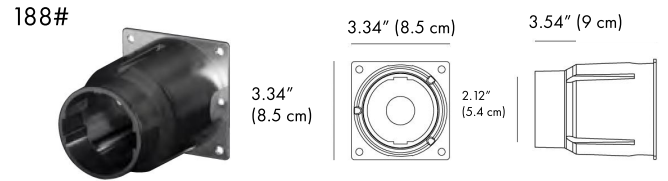
**3 FINISH OPTIONS:**

-KAP7037 Sanded Dark Gray  
-RAL 9005 Sanded Black  
-RAL9022 Sanded Silver Gray

**4 DIMMING OPTIONS:**

-DIM 1-10V  
-PWM Pulse Width Modulation  
-DALI DALI (Digital Addressable Lighting Interface)

**5 RECESSED SLEEVE: (included)**



sales@gordonbullard.com  
www.bullardbollards.com  
1-877-964-4646



991 South Gull Lake Dr  
Richland, MI 49083  
USA

FIXTURE TYPE: \_\_\_\_\_

PROJECT NAME: \_\_\_\_\_

NOTES:



**HOW TO ORDER:**

**CODE:**

Example:  
CODE: BB-FLK-KPG-RWL-XXX-XXX-XXX-XXX-XXX-XX

BB-FLK-KPG-RWL-  
B1QR0102-K30-  
KAP7037-DIM

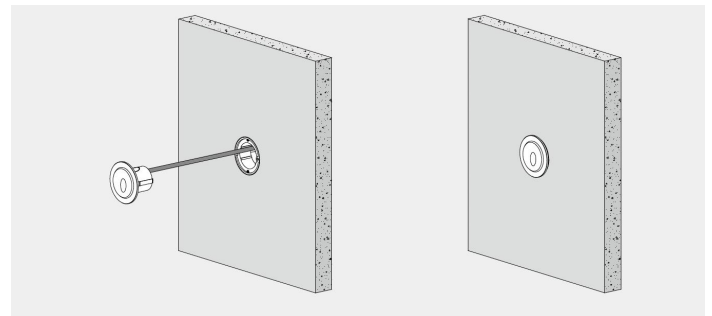
**6 FEATURES:**



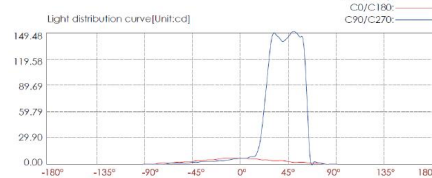
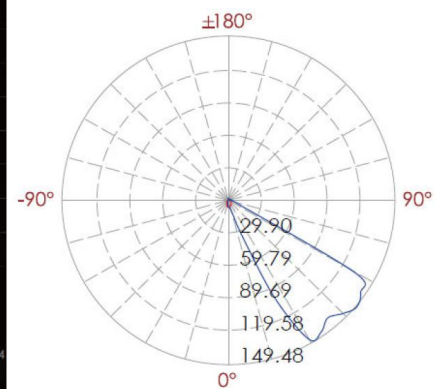
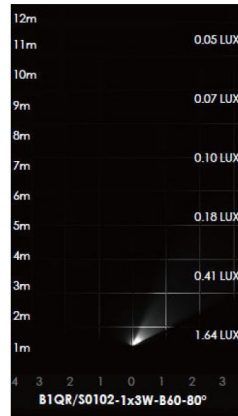
Front cover without screws

Use the high-strength clips for installation and fixation.(please refer remark 1)

**7 DIAGRAM OF INSTRUCTION:**



**8 PHOTOMETRIC INFO:**



Lux distance curve

Illuminance at a distance	Beam width	V	H
2m 1.64 LUX	1.3m	1.4m	
4m 0.41 LUX	2.6m	2.8m	
6m 0.18 LUX	4.0m	4.3m	
8m 0.10 LUX	5.3m	5.7m	
10m 0.07 LUX	6.6m	7.1m	
12m 0.05 LUX	7.9m	8.5m	

Ver.Spread:49.8 Horiz.Spread:39.1

sales@gordonbullard.com  
www.bullardbollards.com  
1-877-964-4646



991 South Gull Lake Dr  
Richland, MI 49083  
USA