



**BULLARD  
BOLLARDS**  
Think Bollard Think Bullard

# QUAREO (SURFACE MOUNTED WALL LUMINAIRES)

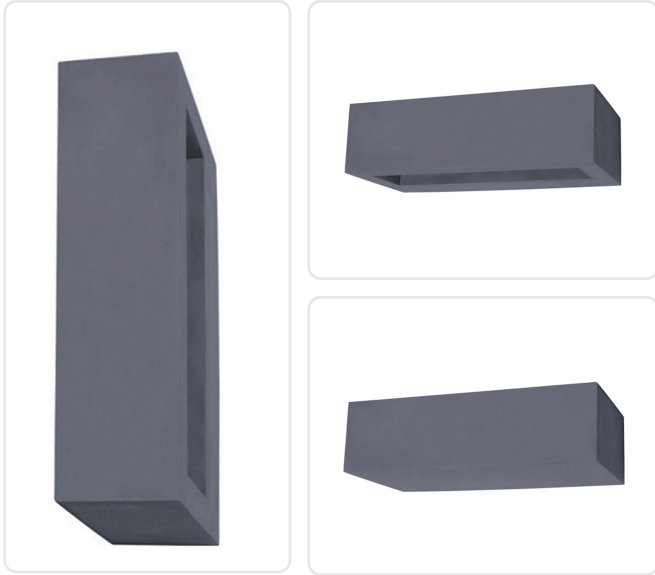




FIXTURE TYPE: \_\_\_\_\_

PROJECT NAME: \_\_\_\_\_

NOTES:



**GENERAL INFORMATION:**

The QUAREO features a refined, contemporary design that enhances architectural spaces with clean lines and soft, ambient illumination. Crafted from durable Betaly® aluminum and rated IP65, this fixture is engineered for reliable performance in both indoor and outdoor environments. Operating on 110–277V, the energy-efficient 5.5W LED delivers up to 800 lumens with warm color temperature options ranging from 2200K to 3000K, creating comfortable and inviting lighting. Available in multiple configurations and sizes, the Quareo series offers versatile installation possibilities, along with various dimming control options and a selection of premium finishes, making it ideal for residential, commercial, and hospitality architectural lighting applications.

**FIXTURE TYPE:**

Surface Mounted Wall Luminaires

**LIGHTING:**

LED



**INPUT VOLTAGE:**

110-277V



**MATERIAL:**

BETALY®

**IP RATING:**

IP 65



**DRIVER POSITION:**

Remote

**INSULATION CLASS:**

III



**CRI:**

80

**WARRANTY:**

LED lighting products are warranted for 5 years.

**THINK BOLLARD - THINK BULLARD**

sales@gordonbullard.com  
www.bullardbollards.com  
1-877-964-4646

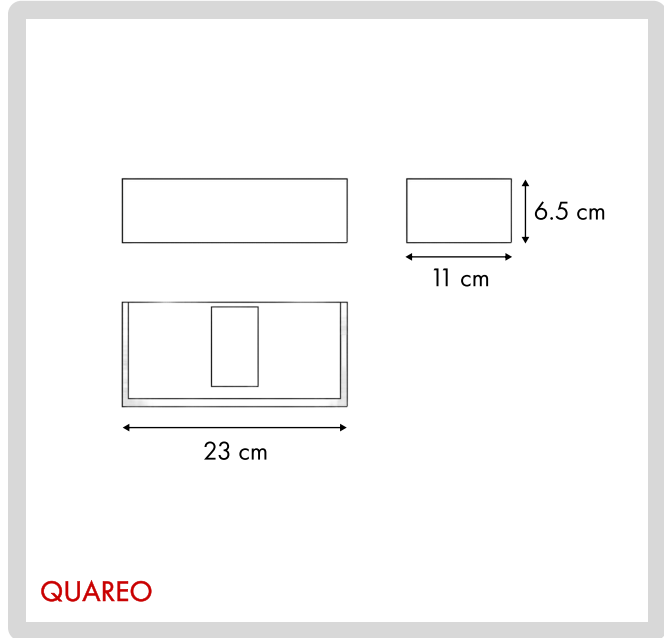


991 South Gull Lake Dr  
Richland, MI 49083  
USA



FIXTURE TYPE: \_\_\_\_\_

PROJECT NAME: \_\_\_\_\_



**HOW TO ORDER:**

**CODE:**

**Example:  
CODE: BB-1091-9010-Q-K27-DALI-393**

**BB-1091-9010  
-Q-K27-DALI-393**

**1 MODELS:**

**-Q**  
Height - H: 2.56" (6.5 cm)  
Length - L: 9.06" (23 cm)  
Depth - P: 4.33" (11 cm)

**2 LIGHT SOURCE:**

LED / 5.5W / 110-277V / CRI 80

**3 CCT&LUMENS:**

**-K20** 2200K = 720 lm  
**-K27** 2700K = 760 lm  
**-K30** 3000K = 800 lm

**4 DIMMING OPTIONS:**

**-DIM** 0-10V  
**-DALI** DALI  
**-LT** Lutron  
**-CAS** Casambi  
**-NON** Non-Dimmable

**5 FINISH OPTIONS:**

**-392** White   
**-393** Green   
**-394** Corten   
**-395** Grey   
**-396** Black   
**-397** Sand

**THINK BOLLARD - THINK BULLARD**

sales@gordonbullard.com  
www.bullardbollards.com  
1-877-964-4646

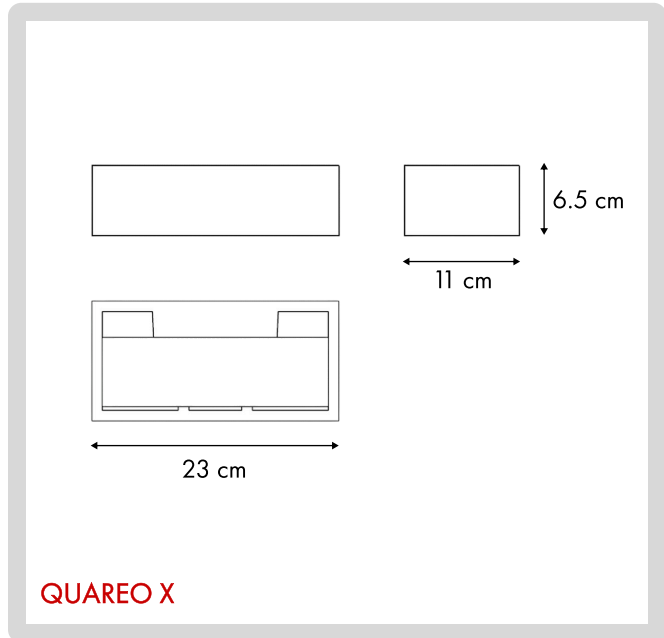


991 South Gull Lake Dr  
Richland, MI 49083  
USA



FIXTURE TYPE: \_\_\_\_\_

PROJECT NAME: \_\_\_\_\_



**HOW TO ORDER:**

**CODE:**

**Example:**  
CODE: BB-1091-9010-Q-K27-DALI-393

BB-1091-9010  
-Q-K27-DALI-393

**1 MODELS:**

**-Q-X**

Height - H: 2.56" (6.5 cm)  
Length - L: 9.06" (23 cm)  
Depth - P: 4.33" (11 cm)

**2 LIGHT SOURCE:**

LED / 5.5W / 110-277V / CRI 80

**3 CCT&LUMENS:**

**-K20** 2200K = 720 lm  
**-K27** 2700K = 760 lm  
**-K30** 3000K = 800 lm

**4 DIMMING OPTIONS:**

**-DIM** 0-10V  
**-DALI** DALI  
**-LT** Lutron  
**-CAS** Casambi  
**-NON** Non-Dimmable

**5 FINISH OPTIONS:**

**-392** White   
**-393** Green   
**-394** Corten   
**-395** Grey   
**-396** Black   
**-397** Sand

**THINK BOLLARD - THINK BULLARD**

sales@gordonbullard.com  
www.bullardbollards.com  
1-877-964-4646

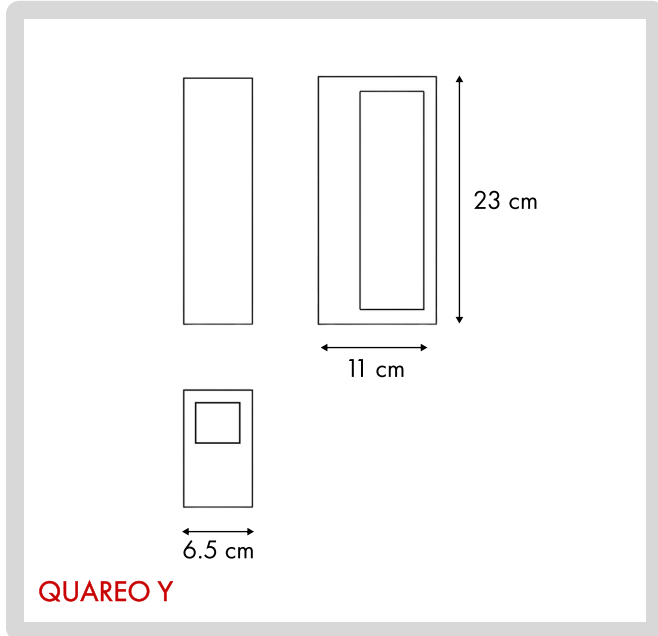


991 South Gull Lake Dr  
Richland, MI 49083  
USA



FIXTURE TYPE: \_\_\_\_\_

PROJECT NAME: \_\_\_\_\_



**HOW TO ORDER:**

**CODE:**

**Example:**  
**CODE: BB-1091-9010-Q-K27-DALI-393**

BB-1091-9010  
-Q-K27-DALI-393

**1 MODELS:**

**-Q-X**

Height - H: 9.06" (23 cm)  
Width - W: 2.56" (6.5 cm)  
Depth - P: 4.33" (11 cm)

**2 LIGHT SOURCE:**

LED / 5.5W / 110-277V / CRI 80

**3 CCT&LUMENS:**

**-K20** 2200K = 720 lm  
**-K27** 2700K = 760 lm  
**-K30** 3000K = 800 lm

**4 DIMMING OPTIONS:**

**-DIM** 0-10V  
**-DALI** DALI  
**-LT** Lutron  
**-CAS** Casambi  
**-NON** Non-Dimmable

**5 FINISH OPTIONS:**

**-392** White   
**-393** Green   
**-394** Corten   
**-395** Grey   
**-396** Black   
**-397** Sand

**THINK BOLLARD - THINK BULLARD**

sales@gordonbullard.com  
www.bullardbollards.com  
1-877-964-4646



991 South Gull Lake Dr  
Richland, MI 49083  
USA